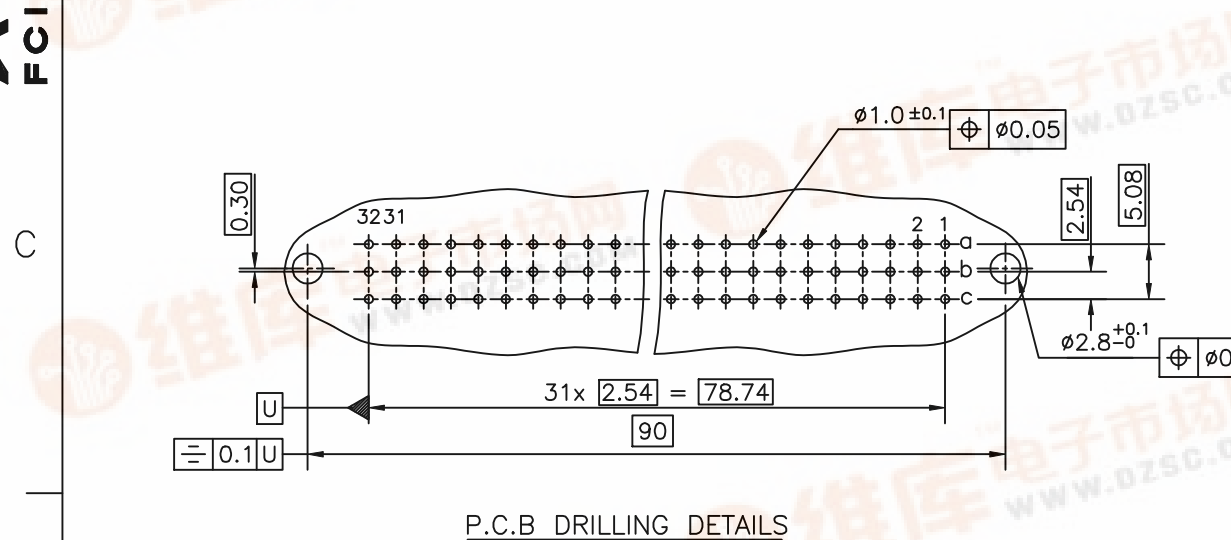
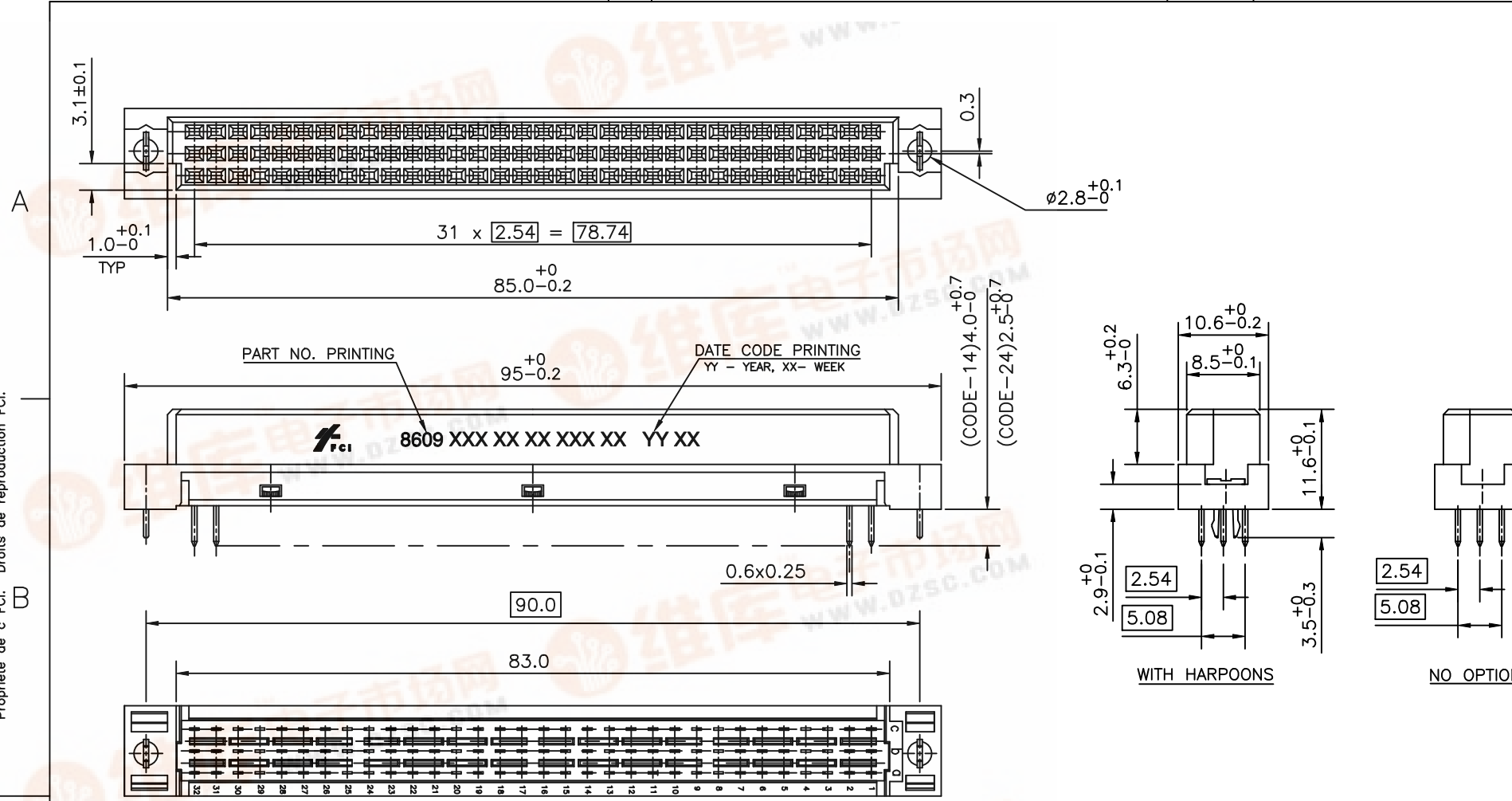


Tous droits strictement reserves. Reproduction ou communication a des tiers interdite sous quelque forme que ce soit sans autorisation ecrite du Propriete de c FCI. Droits de reproduction FCI.

All rights strictly reserved. Reproduction or issue to third parties in any form whatsoever is not permitted without written authority from the proprietor. Property of FCI. Copyright FCI.



**TECHNICAL SPECIFICATION**

INSULATOR MATERIAL : THERMOPLASTIC POLYESTER UL94V-0, GREY  
HOUSING CAN WITHSTAND EXPOSURE TO LEAD FREE WAVE SOLDERING TEMPERATURE OF 260-265°C FOR STRAIGHT CONNECTORS AS IT IS IN CLASSICAL LEAD WAVE SOLDERING AT 235-250°.

CONTACT / HARPOON MATERIAL : COPPER ALLOY

CONTACT PLATING : GOLD OVER NICKEL

ACTIVE ZONE : GOLD OVER NICKEL

TERMINATION ZONE : TIN LEAD OVER NICKEL

TIN LEAD VERSION : TIN LEAD OVER NICKEL

LEAD FREE VERSION : TIN (PURE MATTE) OVER NICKEL

HARPOON PLATING : TIN LEAD OVER NICKEL

TIN LEAD VERSION : TIN LEAD OVER NICKEL

LEAD FREE VERSION : TIN (PURE MATTE) OVER NICKEL

**ELECTRICAL DATA**

CURRENT RATING AT 20°C : 1.5 A

CURRENT (I MAX) : 2 A

TEMPERATURE RANGE : -55°C/+125°C

CONTACT RESISTANCE : ≤ 20mΩ

INSULATION RESISTANCE : ≥ 10<sup>8</sup> MΩ

TEST VOLTAGE (rms) : 1000V

**MECHANICAL DATA**

INSERTION FORCE PER CONTACT : ≤ 0.94N

EXTRACTION FORCE PER CONTACT : ≥ 0.15N

REFERENCE SPECIFICATIONS : DIN 41612 / IEC 603-2

SERIES	8609	3	96	8	1	14	7	5	5	V1
ROWS FITTED WITH CONTACTS										
Rows a-b	2		64							
Rows a-b-c	3		96							
Rows a-c	4		64							
NUMBER OF CONTACTS										
TYPE OF INSULATOR	3 ROW FEMALE INSULATOR 8									
METHOD OF MOUNTING	STANDARD MOUNTING STYLE- C 1									
TERMINATION										
STRAIGHT SPILL (LONG)	14									
STRAIGHT SPILL (SHORT)	24									
OPTIONS										
NO OPTION	7									
WITH HARPOONS	H									
PERFORMANCE CLASS										
4 - DIN 41612 CLASS 3	4									
5 - DIN 41612 CLASS 2	5									
6 - DIN 41612 CLASS 1	6									
8 - AS PER MIL C 55302/JSS 50808	8									
PITCH PER ROW										
2.54	5									
V1	TIN LEAD VERSION									
V1LF	LEAD FREE VERSION									

**NOTES:-**

1. THE "LF" PRODUCTS MEET EUROPEAN UNION DIRECTIVES AND OTHER COUNTRY REGULATIONS AS DESCRIBED IN GS-22-008
2. THE HOUSING WILL WITHSTAND EXPOSURE TO 260°C PEAK TEMPERATURE FOR 3.5 SECONDS IN A WAVE SOLDER APPLICATION WITH A 1.6 MM MINIMUM THICK CIRCUIT BOARD
3. LEAD FREE OR RoHS DIRECTIVE LABELING TO BE PROVIDED AS PER GS-14-920 FOR LEAD FREE VERSION.

d	DATE	REVISION DESCRIPTION
d	02/06/2005	TYPING ERROR
c	19/05/2005	TECHNICAL SPECIFICATION MODIFIED AND LEAD FREE NOTE ADDED.
b	09/11/2004	DIMNS. 90 & 78.74 WAS 90±0.1, 78.74±0.06

ltr	Ecn no	Dr	date
d	105-0086	MINI	02/06/2005
c	105-0042	MINI	19/05/2005
b	104-0100	MINI	09/11/2004

Dr Mini K Vandanath 29/09/2004		Product Family 8609		Tolerance LINEAR ±0.1 ANGULAR ±1°	Projection	MM
Eng Rakhee George 29/09/2004		Spec ref		A3	Scale 2:1	MM
Chr Rakhee George 02/06/2005		Material SEE TECH. SPEC.				
Appr K Somasundaram 02/06/2005				ECN		
Title DIN STANDARD RECEPTACLE (STRAIGHT SPILL DIN 41612 STYLE - C)				Dwg no C-8609-2028		Rev. d
Catalog no 8609--8114--XXXX, 8609--8124--XXXX				CUSTOMER COPY		Sheet 1 of 1