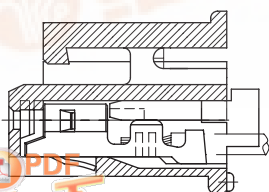
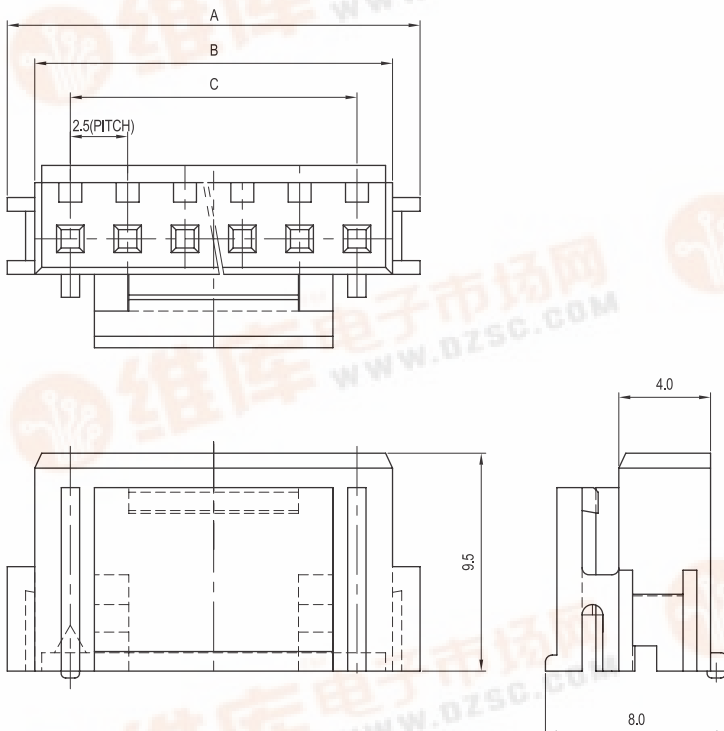
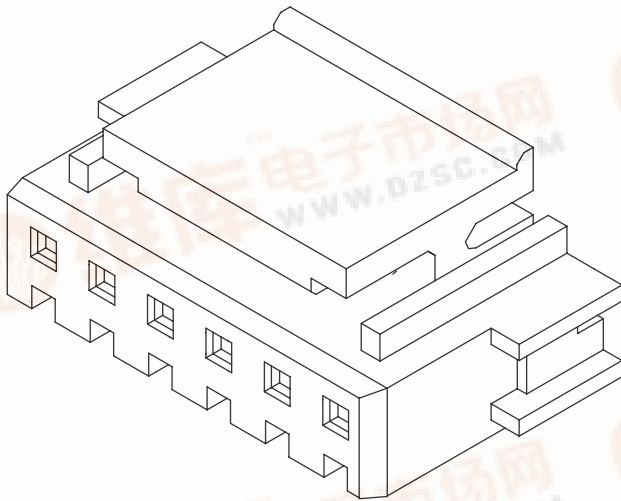


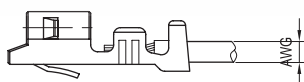
# 2.50mm (0.098") PITCH CONNECTOR

Wire-to-Board  
Housing

25048HS Series



TERMINAL ASSEMBLY DRAWING



AWG : #22 ~ #28

## Material

I/NO	DESCRIPTION	TITLE	MATERIAL
1	HOUSING	25048HS	PA66, UL94 V Grade

## Available Pin

PARTS NO.	A	B	C
25048HS-02000	8.0	5.6	2.5
25048HS-03000	10.5	8.1	5.0
25048HS-04000	13.0	10.6	7.0
25048HS-05000	15.5	13.1	10.0
25048HS-06000	18.0	15.6	12.5
25048HS-07000	20.5	18.1	15.0
25048HS-08000	23.0	20.6	17.5
25048HS-09000	25.5	23.1	20.0
25048HS-10000	28.0	25.6	22.5
25048HS-11000	30.5	28.1	25.0
25048HS-12000	33.0	30.6	27.5
25048HS-13000	35.5	33.1	30.0
25048HS-14000	38.0	35.6	32.5
25048HS-15000	40.5	38.1	35.0

## Specification

ITEM	SPEC
Voltage Rating	AC/DC 250V
Current Rating	AC/DC 3A
Operating Temperature	-25°C ~ +85°C
Contact Resistance	30mΩ MAX
Withstanding Voltage	AC1000V/1min
Insulation Resistance	1000MΩ MIN
Applicable Wire	AWG #22~#28
Applicable P.C.B	-
Applicable FPC/FFC	-
Solder Height	-
Crimp Tensile Strength	-
UL FILE NO	-

Application Terminal : 25048TS (132 page)

