

Temperature Measurement	B57871
Leaded Disks	S 871

**Applications**

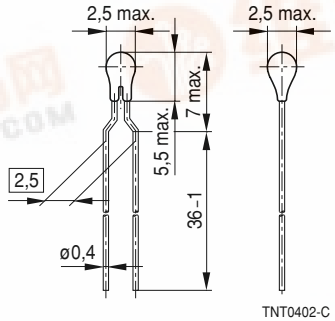
- Temperature measurement

**Features**

- High measuring accuracy
- Cost-effective
- Rugged design, epoxy resin encapsulation
- Tinned copper leads
- Lead spacing 2,5 mm

**Delivery mode**

Bulk (standard),  
 cardboard tape, reeled or in Ammo pack



Dimensions in mm  
 Approx. weight 120 mg

Climatic category (IEC 60068-1)		55/155/56	
Max. power at 25 °C	$P_{25}$	60	mW
Resistance tolerance	$\Delta R_N/R_N$	$\pm 1\%, \pm 3\%, \pm 5\%$	
Rated temperature	$T_N$	25	°C
B value tolerance	$\Delta B/B$	$\pm 1\%$	
Dissipation factor (in air)	$\delta_{th}$	approx. 3,8	mW/K
Thermal cooling time constant (in air)	$\tau_c$	approx. 7,5	s
Heat capacity	$C_{th}$	approx. 28,5	mJ/K

$R_{25}$	No. of R/T characteristic	$B_{25/100}$	Ordering code
$\Omega$		K	
2,1 k	1008	3560	B57871S0212+000
10 k	8016	3988	B57871S0103+001
10 k	2908	3460	B57871S0103+002
10 k	2001	3920	B57871S0103+003
12 k	2901	3760	B57871S0123+000
30 k	8018	3964	B57871S0303+000



<b>Temperature Measurement</b>	<b>B57871</b>
<b>Leaded Disks</b>	<b>S 871</b>

**Reliability data**

Test	Standard	Test conditions	$\Delta R_{25}/R_{25}$ (typ.)	Remarks
Storage in dry heat	IEC 60068-2-2	Storage at upper category temperature $T$ : 155 °C $t$ : 1000 h	< 2 %	No visible damage
Storage in damp heat, steady state	IEC 60068-2-3	Temperature of air: 40 °C Relative humidity of air: 93 % Duration: 56 days	< 1 %	No visible damage
Rapid temperature cycling	IEC 60068-2-14	Lower test temperature: – 55 °C Upper test temperature: 155 °C Number of cycles: 100	< 2 %	No visible damage
Endurance		$P_{\max}$ : 450 mW $t$ : 1000 h	< 3 %	No visible damage
Long-term stability (empirical value)		Temperature: 70 °C $t$ : 10 000 h	< 3 %	No visible damage

Diese Broschüre ersetzt die vorige Ausgabe.

Fragen über Technik, Preise und Liefermöglichkeiten richten Sie bitte an den Ihnen nächstgelegenen oder an unsere Vertriebsgesellschaften im Ausland. Bauelemente können aufgrund technischer Erfordernisse nicht lieferbar sein. Auskünfte darüber bitten wir unter Angabe des betreffenden Typs ebenfalls über die zuständige Vertriebsgesellschaft zu erhalten.

**Published by EPCOS AG**

**Corporate Communications, P.O. Box 80 17 09, 81617 Munich, GERMANY**

**☎ ++49 89 636 09, FAX (0 89) 636-2 26 89**

© EPCOS AG 2002. Reproduction, publication and dissemination of this brochure and the information contained herein without EPCOS' prior express consent is prohibited.

Purchase orders are subject to the General Conditions for the Supply of Products and Services of the Electrical and Electronic Industry recommended by the ZVEI (German Electrical and Electronic Manufacturers' Association), unless otherwise stated.

This brochure replaces the previous edition.

For questions on technology, prices and delivery please contact the Sales Offices of EPCOS AG or the representatives of the nearest sales office.

Due to technical requirements components may contain dangerous substances. For information on the handling of these substances also contact one of our Sales Offices.