



# AS4041

## Precision Micropower 1.24V Shunt Voltage Reference

### FEATURES

- Low temperature coefficient 50 ppm/°C
- Operating current range 100µA to 15 mA
- Low power, 250 mW @  $I_{IN} = 100$  mA
- Two terminal "Zener" operation
- Small package: SOT - 23, TO-92, and SO-8
- Fixed reverse breakdown voltage 2.5 Volt
- No output capacitance required
- Output voltage tolerance  $\pm 0.5\%$

### APPLICATIONS

- Constant Current Source
- Digital Voltmeter
- Power Supply Monitor
- Precision Regulators
- Battery-Powered Equipment
- Instrumentation
- Automotive Electronics
- Data Acquisition Systems
- Energy Management

### PRODUCT DESCRIPTION

The AS4041 is a two-terminal, temperature compensated, band-gap voltage reference, which provides a fixed 1.24V output for input currents between 500 µA to 5mA. The bandgap voltage (1.24V) is independently laser trimmed from the output voltage to achieve a very low tempco, then the output voltage is laser trimmed to 1.24 volts. This trimming technique and the low tempco (A grade 50 ppm/ °C) thin film resistor process gives a very stable device over the full temperature range. The AS4041 is available in the sub-miniature (3mm × 1.3mm) SOT-23, SO-8 surface mount package, or TO-92 package. The operating temperature is -40°C to 85°C.

The ALPHA Semiconductor AS4041 advanced design eliminates the need for an external stabilized capacitor while insuring stability with any capacitive load, making them easy to use.

### ORDERING INFORMATION

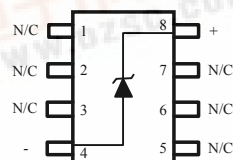
Part Number	Package Type
AS4041YN-X	TO-92
AS4041YS-X	SO-8
AS4041YM-X	SOT-23

	Tempco	Output Accuracy
Y=	A=100ppm/°C B=150ppm/°C	X= 2=1% 3=2%

1. For lower Tempco, consult factory

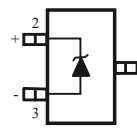
### PIN CONNECTIONS

8-Pin Surface Mount (S)



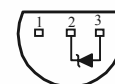
Top View

SOT-23-3 (M)



Top View

TO-92 (N)



Bottom View



## ABSOLUTE MAXIMUM RATINGS

Reverse Current .....	20mA
Forward Current .....	10mA
Storage Temperature .....	-65°C to +150°C
Lead Temperature (Soldering) .....	300°C

Power Dissipation at 25°C	
M Package .....	300mW
N Package .....	550mW
S Package.....	525mW
Temperature Range .....	-40°C ≤ T <sub>A</sub> ≤ +85°C

## ELECTRICAL CHARACTERISTICS

Electrical Characteristics at I<sub>IN</sub> = 1000μA, and T<sub>A</sub> = +25°C unless otherwise noted. **Boldface limits apply over temperature.**

Parameters	Conditions	AS4041A-2			AS4041B-2			Units
		Min	Typ	Max	Min	Typ	Max	
Reverse Breakdown Voltage	I <sub>R</sub> =500 μA		1.24			1.24		V
Reverse Breakdown Tolerance	I <sub>R</sub> =500 μA			±25 <b>±49</b>			±25 <b>±49</b>	mV mV
Output Impedance			0.60	2		0.60	2	Ω
Noise Voltage	0.1kHz ≤ f ≤ 10Hz		15			15		μV p-p
Tempco	Note 1			50			100	ppm/°C
Turn-on Setting	0.1% of V <sub>OUT</sub>		30			30		μSec
Operating Current Range	Note 2	0.5		5 15	0.5		5 15	mA
Temp. Range		-40		85	-40		85	°C
Parameters	Conditions	AS4041A-3			AS4041B-3			Units
		Min	Typ	Max	Min	Typ	Max	
Reverse Breakdown Voltage	I <sub>R</sub> =500 μA		1.24			1.24		V
Reverse Breakdown Tolerance	I <sub>R</sub> =500 μA			±50 <b>±74</b>			±50 <b>±74</b>	mV mV
Output Impedance			0.60	2		0.60	2	Ω
Noise Voltage	0.1kHz ≤ f ≤ 10Hz		15			15		μV p-p
Tempco	Note 1			50			100	ppm/°C
Turn-on Setting	0.1% of V <sub>OUT</sub>		30			30		μSec
Operating Current Range	Note 2	0.1		5 15	0.1		5 15	mA
Temp. Range		-40		85	-40		85	°C

- Note:
- 1) Three-point measurement guarantees the error band over the specified temperature range.
  - 2) Optimum performance is obtained at currents below 1000  $\mu\text{A}$ .
  - 3) Limits are 100% production tested at 25°C. Limits over temperature are guaranteed through correlation using statistical quality control.

## AS4041 Applications Hints

This device is designed for stable operation and has no need of an external capacitor between pin 4 and 8. The reference remains stable if a bypass capacitor is used.

### SOT-23

The AS4041 in the SOT-23 package has a parasitic Schottky diode between pin 3 and pin 1. Pin 1 of SOT-23 must float or be connected to pin 3.

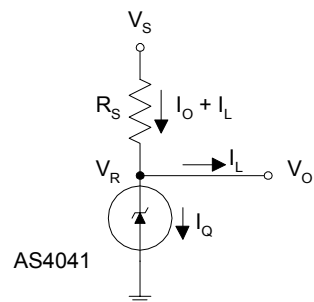
### Conventional Shunt Regulator

In a conventional shunt regulator application (see Figure 1), an external series resistor ( $R_S$ ) is connected between the supply voltage and the AS4041.  $R_S$  determines the current that flows through the load ( $I_L$ ) and the reference ( $I_Q$ ). Since load current and supply voltage may vary,  $R_S$  should be small enough to supply at least the minimum acceptable  $I_Q$  to the reference even when the supply voltage is at its minimum and the load current is at its maximum value. When the supply voltage is at its maximum and  $I_L$  is at its minimum,  $R_S$  should be large enough so that the current flowing through the AS4041-x.x is less than 15mA

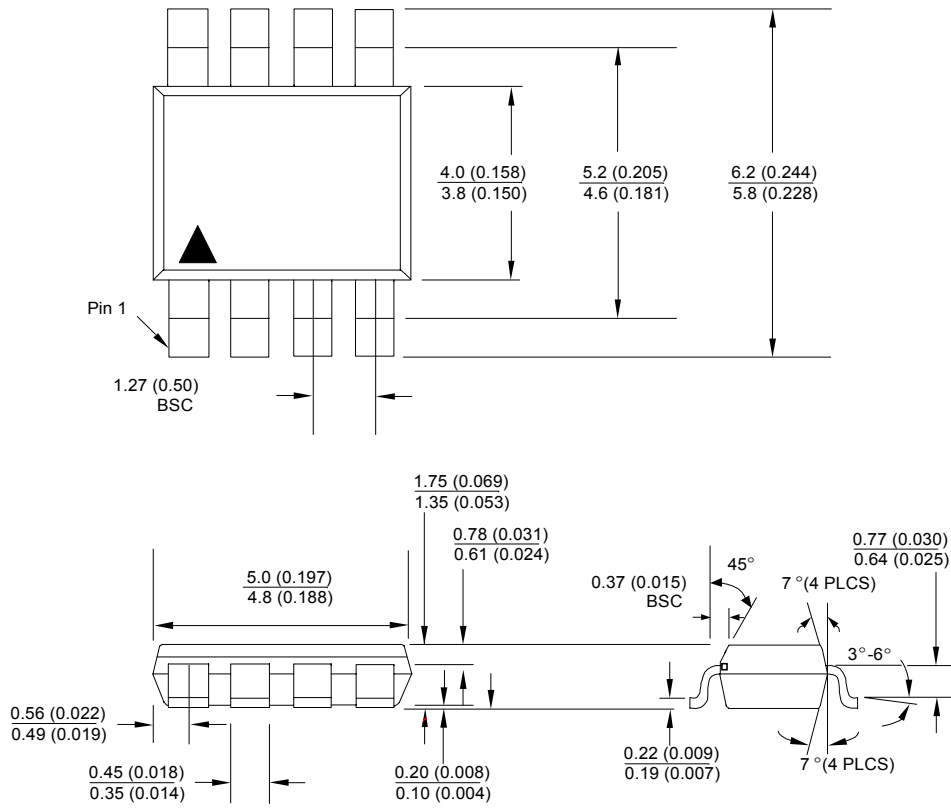
$R_S$  is determined by the supply voltage ( $V_S$ ), the load and operating current ( $I_L$  and  $I_Q$ ), reference's reverse breakdown voltage ( $V_R$ ).

$$R_S = (V_S - V_R)/(I_L + I_Q)$$

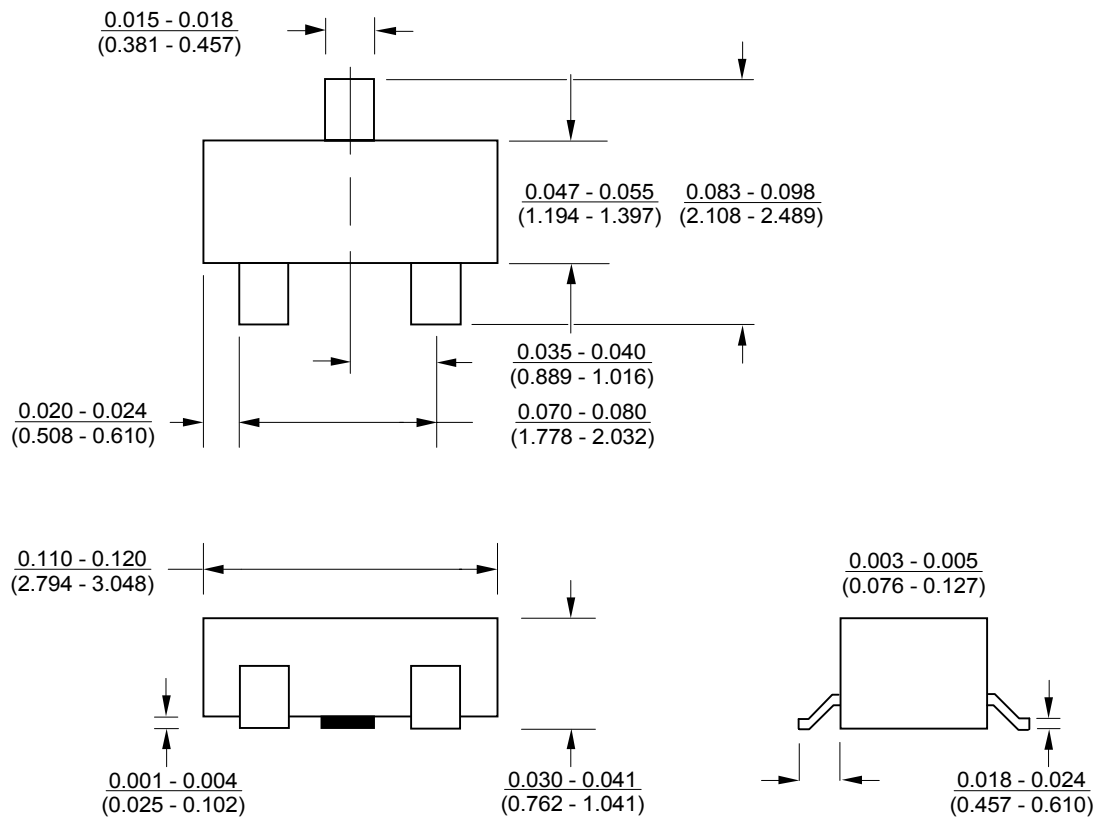
**Figure 1. AS4041 Fixed Shunt Regulator Application**



## DRAWING PACKAGE 8-PIN SOIC (S)



DRAWING PACKAGE  
SOT-23-3L (M)



## DRAWING PACKAGE TO-92 (N)

