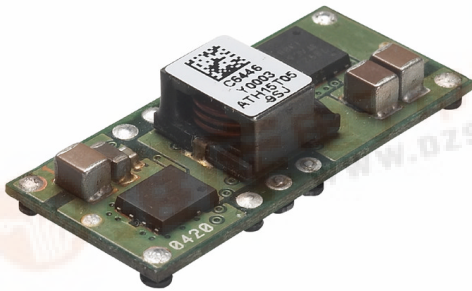


15Amps ATH15

Total Power: 66W
Input Voltages: 3.3V, 5V, 12V
No. of Outputs: Single



Electrical Specs

Input

Input Range 3.0 - 3.6V
4.5 - 5.5V
10.8 - 13.2V
Under Voltage Lockout with hysteresis
Efficiency up to 95%

Output

Overall Regulation 1% of Vo Typ
Noise/Ripple 30mV Typ (2.5Vo and below)
1% Vo Typ (Vo > 2.5V)
Remote sense Up to 300mV max
Transient Response 100mV typical for 3.3Vo
for 50% to 100% I_{O,MAX} step change
70us recovery time (Co = 330uF)
Over Current Protection 175% I_{O,MAX} typical (autorecovery)

Control

Inhibit Control Negative Logic
(OPEN = Normal Operation)
(GROUND = Function Active)
Output Voltage Adjust See output range on page 2
Output Margin ±5% V_{O,NOM}
Output Auto-Track™ (See Note 5)

Specifications subject to change without notice

Special Features

- Point-of-Load Alliance product
- Open frame TH or SMT termination
- Auto-Track™ Sequencing
- Margin Up/Down Controls
- Remote sense compensation
- Output Voltage Adjust (Resistor Programming)
- Under Voltage Lockout
- Pre-Biased start-up²
- Output On/Off Inhibit
- -40°C to +85°C Ambient Air Operation
- Non Isolated module

Environmental

Ambient air operating temperature range:
-40°C to +85°C
Storage temperature: -40°C to +125°C
Demonstrated MTBF: 2.9M Hrs

Safety

UL, cUL 60950 Recognition
EN 60950 through TUV or VDE (Pending)



AMERICAS

5810 Van Allen Way
 Carlsbad, CA 92008
 Telephone: 760-930-4600
 Facsimile: 760-930-0698

EUROPE

Astec House, Waterfront Business Park
 Merry Hill, Dudley
 West Midlands, DY5 1LX, UK
 Telephone: 44 (1384) 842-211
 Facsimile: 44 (1384) 843-355

ASIA

Units 2111-2116, Level 21
 Tower1, Metroplaza
 223, Hing Fong Road
 Fwai Fong, New Territories
 Hong Kong
 Telephone: 852-2437-9662
 Facsimile: 852-2402-4426



Ordering Information

Input Voltage	Output Voltage	Output ³ Current	Efficiency ⁴	Model Number
3.0V to 3.6V	0.8V to 2.5V	15A	93%	ATH15T033- 9(S)(J)
4.5V to 5.5V	0.8V to 3.6V	15A	95%	ATH15T05 - 9(S)(J)
10.8V to 13.2V	1.2V to 5.5V	12A	94%	ATH12K12 - 9(S)(J)

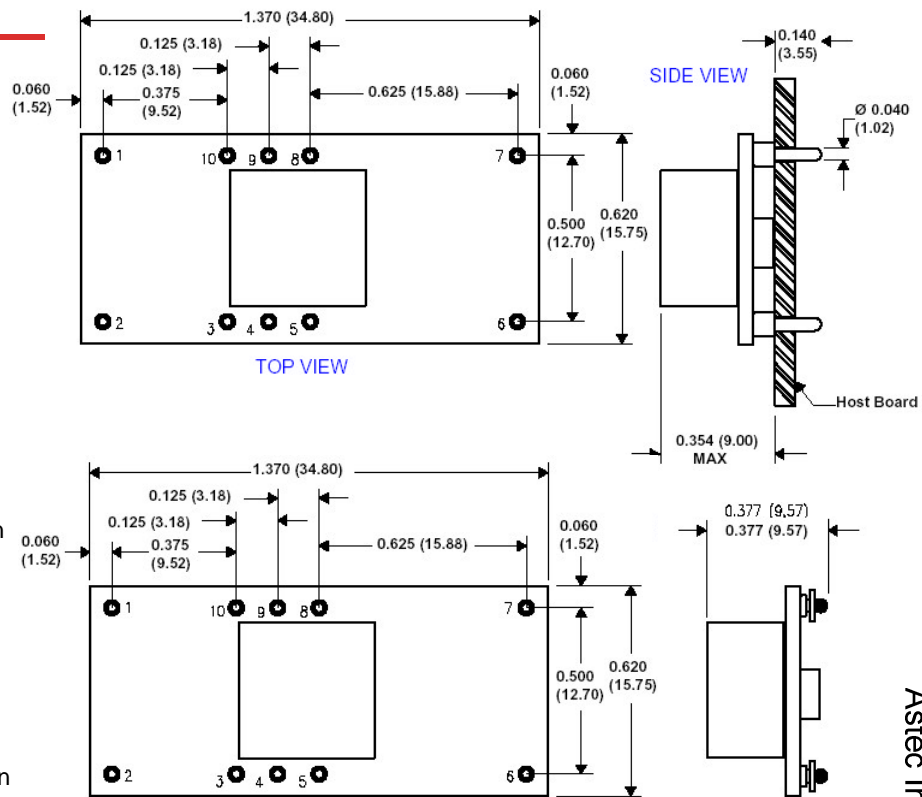
OPTIONS:

- "-9J" - Output Trim, TH termination, Tray Packaging
- "-9SJ" - Output Trim, SMT termination, Tray Packaging
- "-9S" - Output Trim, SMT Termination, T&R packaging

Pin Assignments

Single Output

	PINS
GND	: 1
Vin	: 2
Inhibit	: 3
Vo Adjust	: 4
Vo Sense	: 5
Vout	: 6
GND	: 7
Track	: 8
Margin Down	: 9
Margin Up	: 10



Through-hole and SMT Outline [in (mm)]

Notes:

- Nominal values apply with sense pins connected to +Vout and Ground Return with other control pins unconnected.
- Pre-Bias startup capability exists for 3.3Vin and 5Vin devices.
- Output derating applies at elevated ambient temperature.
- Typical efficiency taken at 10A load, 2.5V output (3.3Vin device); 10A load, 3.3V output (5Vin device); 8A load, 5V output (12Vin device).
- Consult the technical reference notes when available.
- Mechanical Dimensions are nominal values.
- Auto-Track™ is a trademark of Texas Instruments.
- Specification subject to change without notice.

* Astec reserves the right to make changes to the information contained herein without notice and assumes no liability as a result of its use or application. (REV03: OCTOBER 21, 2004)

