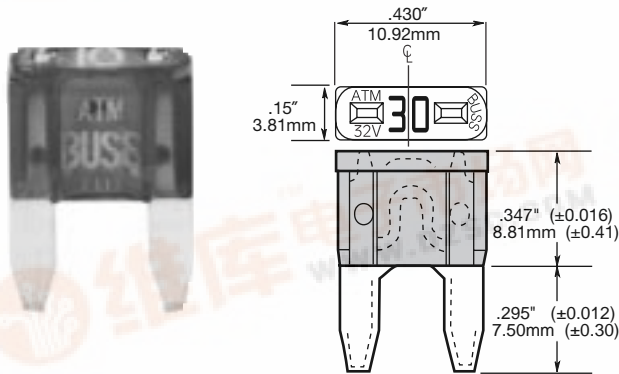


Blade-Type Fuses

32 Volts DC, 2 to 30 Amps

ATM

Dimensional Data



Catalog Symbol: ATM

Fast-Acting

Ampere Ratings: 2 to 30 Amperes

Voltage Rating: 32 Volts DC (or less)

Interrupting Rating: 1,000 Amperes

Electrical Ratings (Catalog Symbol, Amp Rating, and Color)

ATM-2	Gray	ATM-7½	Brown	ATM-25	Natural White
ATM-3	Violet	ATM-10	Red	ATM-30	Green
ATM-4	Pink	ATM-15	Lt. Blue	—	—
ATM-5	Tan	ATM-20	Yellow	—	—

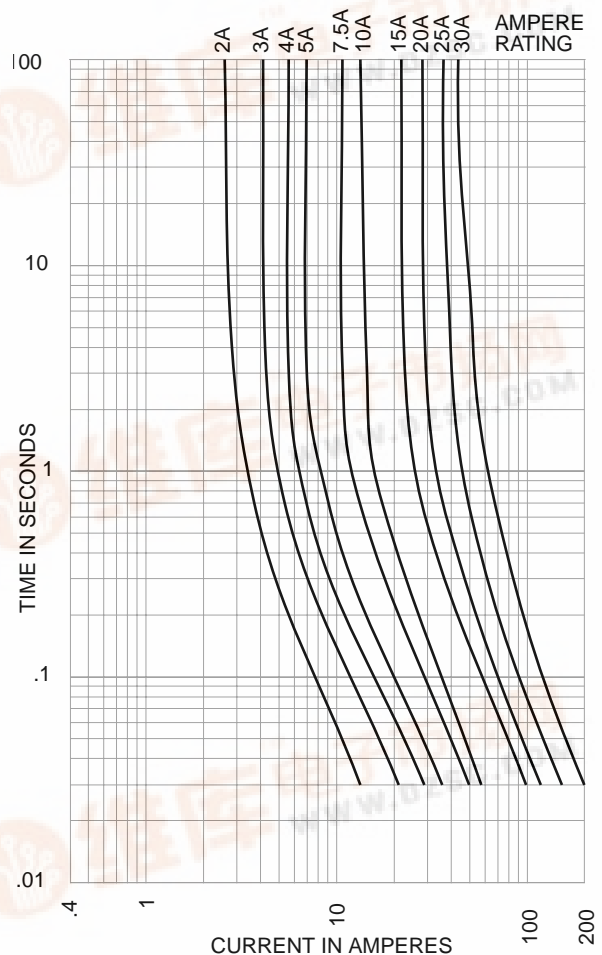
Shelf Carton Quantity and Weight

Fuse Type	Fuse Qty.	No. of Boxes	Wgt. (Lbs.)	Dimensions (Inches)	Volume (Cu. Ins.)
ATM	100	20 (5-in)	0.40	2.88 x 3.5 x 1.75	17.6

Recommended Bussmann Fuseholders

Blade-Type	Part	Description	Fuse Size	Wire Size
ATM	HHM	Fuseholder w/Cover	3-30 Amps	#12 Lead Wire; 4" Length
	HHM-B	Body Only		
	HHM-C	Cover Only		
	HHL	Fuseholder w/Cover	2-20 Amps	#16 Lead Wire; 4" Length
	HHL-B	Body Only		

Time-Current Characteristic Curves—Average Melt



The only controlled copy of this BIF document is the electronic read-only version located on the Bussmann Network Drive. All other copies of this document are by definition uncontrolled. This bulletin is intended to clearly present comprehensive product data and provide technical information that will help the end user with design applications. Bussmann reserves the right, without notice, to change design or construction of any products and to discontinue or limit distribution of any products. Bussmann also reserves the right to change or update, without notice, any technical information contained in this Bulletin. Once a product has been selected, it should be tested by the user in all possible applications.