

# Series AW

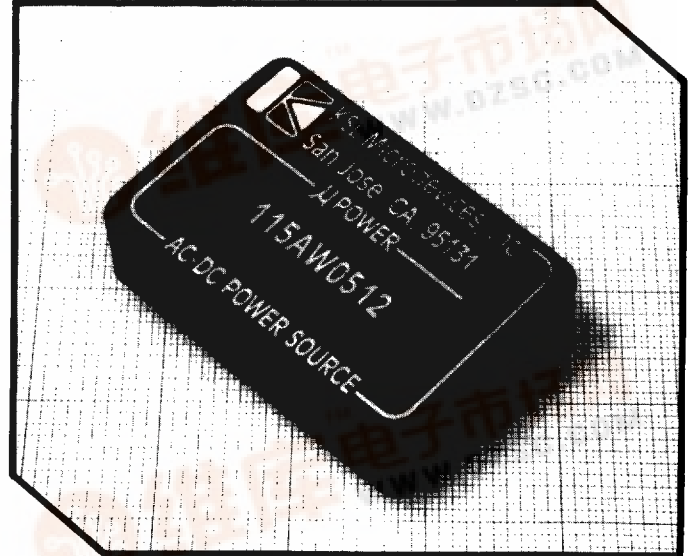
# μPOWER™ Compact Unit-on-Board AC-DC Power Supply Modules

## Features

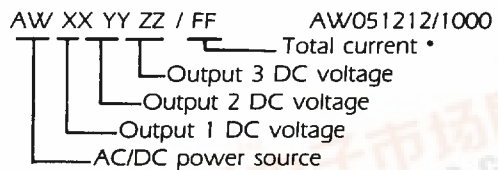
- Economy AC-DC power source
- Low output ripple & noise
- Short circuit protection
- Single, dual or triple outputs
- Excellent regulation
- High MTBF
- 100% burned-in and tested
- Metal case shielding
- Vacuum encapsulated potting

## General Specifications

- Input Voltage Range: 105 to 125 VAC
- Input frequency: 60Hz
- Line Regulation: .05% for ±10% line change
- Load Regulation: ±.1% (10% to 100% load)
- Output Ripple & Noise: 50mV p-p
- Input/Output Isolation: 100MΩ/1000VDC min.
- Short Circuit Protection: current limiting
- Operating Temperature: -25°C to +70°C
- Storage Temperature: -55°C to +70°C
- Temperature Coefficient: 100ppm/°C



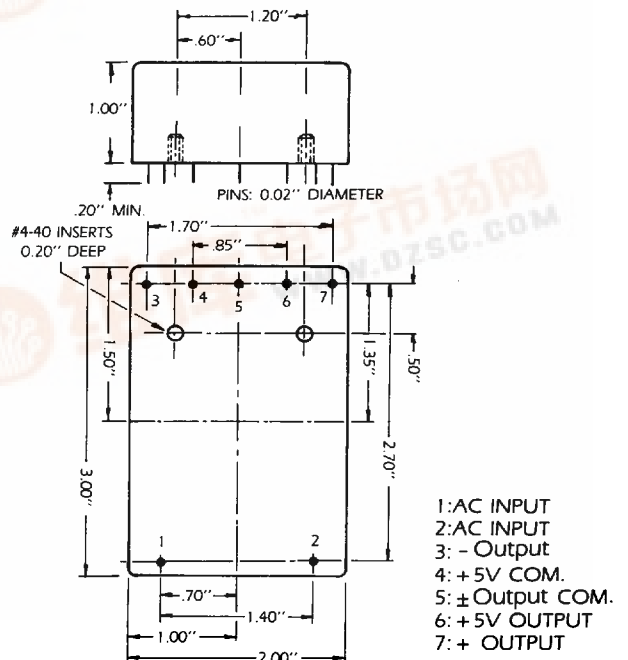
## Part Number — Custom Designs



• Current must be specified.

## Package Dimensions

### BOTTOM VIEW



## Selection Chart (Maximum Rating)

Model	Output Volt/Current	Model	Output Volt/Current
AW05/1800	+/-5V/1800mA	AW0505/1800	±5V/±900mA
AW06/1500	+/-6V/1500mA	AW0606/1500	±6V/±750mA
AW08/1200	+/-8V/1200mA	AW0808/1200	±8V/±600mA
AW10/1000	+/-10V/1000mA	AW1010/1000	±10V/±500mA
AW12/900	+/-12V/900mA	AW1212/900	±12V/±450mA
AW15/800	+/-15V/800mA	AW1515/800	±15V/±400mA
AW18/600	+/-18V/600mA	AW1818/600	±18V/±300mA
AW24/450	+/-24V/450mA	AW2424/450	±24V/±225mA
AW051212/1000	+/-5V/500mA	±12V/±250mA	
AW051515/1000	+/-5V/500mA	±15V/±250mA	

\*Specifications subject to change without notice

5048836 0000150 483