


Fast Logic

Variable Pulse Generator

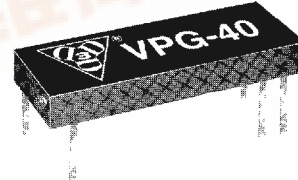
SERIES: **VPG-40**

Continuously Variable
T²L Interfaced



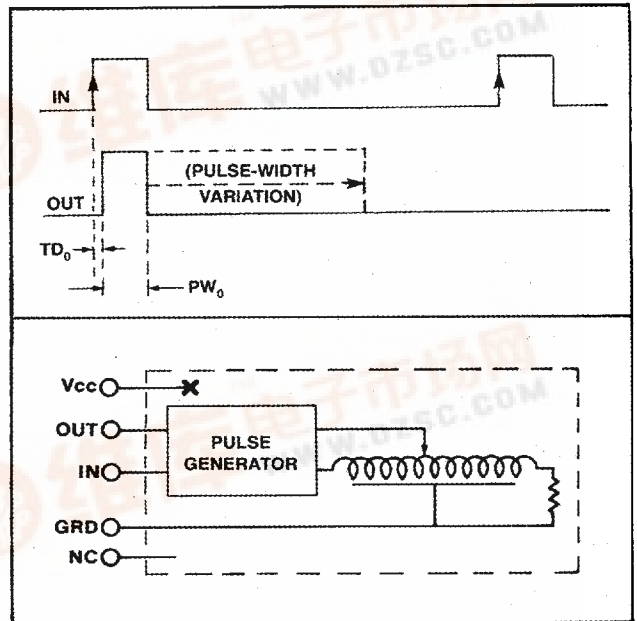
Features:

- Input & output fully TTL interfaced and buffered.
- Low profile.
- Commercial & military type.
- Continuously adjustable.
- Multi-turn adjusting screw (40 turns approx.)
- Rising-edge trigger.



Specifications:

- Inherent pulse-width (PW_0): 15 ns typ.
- Trigger-inherent delay (TD_0): 6 ns typ.
- Pulse-width resolution: .12 ns.
- Output rise-time: 2 ns typ.
- Temperature coefficient: 100 PPM/°C.
- Temperature range: 0°C to 70°C standard. (-55°C to +125°C on request)*
- Supply voltage: 5.0 Vdc \pm 5%.
- Power dissipation: 300 mw max.
- DC Parameters: See TTL-Fast Schottky Logic Table on Page 6.



*Add "M" after Part No. Ex.: VPG-40-50M

Part No.	Min. Pulse-Width Variation (ns)
VPG-40-25	15
VPG-40-30	20
VPG-40-40	30
VPG-40-50	40
VPG-40-60	50
VPG-40-70	60
VPG-40-80	70
VPG-40-100	90
VPG-40-120	100
VPG-40-150	140
VPG-40-200	180

Other pulse-widths available on request.

