

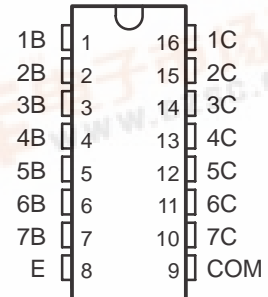
ULQ2003A-Q1, ULQ2004A-Q1, HIGH-VOLTAGE HIGH-CURRENT DARLINGTON TRANSISTOR ARRAY

SGLS148B – DECEMBER 2002 – REVISED JUNE 2006

- **Qualification in Accordance With AEC-Q100†**
- **Qualified for Automotive Applications**
- **Customer-Specific Configuration Control Can Be Supported Along With Major-Change Approval**
- **ESD Protection Exceeds 200 V Using Machine Model (C = 200 pF, R = 0)**
- **500-mA Rated Collector Current (Single Output)**
- **High-Voltage Outputs . . . 50 V**
- **Output Clamp Diodes**
- **Inputs Compatible With Various Types of Logic**
- **Relay-Driver Applications**

† Contact Texas Instruments for details. Q100 qualification data available on request.

**D PACKAGE
(TOP VIEW)**



description

The ULQ2003A and ULQ2004A are high-voltage high-current Darlington transistor arrays. Each consists of seven npn Darlington pairs that feature high-voltage outputs with common-cathode clamp diodes for switching inductive loads. The collector-current rating of a single Darlington pair is 500 mA. The Darlington pairs can be paralleled for higher current capability. Applications include relay drivers, hammer drivers, lamp drivers, display drivers (LED and gas discharge), line drivers, and logic buffers.

The ULQ2003A has a 2.7-kΩ series base resistor for each Darlington pair, for operation directly with TTL or 5-V CMOS devices. The ULQ2004A has a 10.5-kΩ series base resistor to allow operation directly from CMOS devices that use supply voltages of 6 V to 15 V. The required input current of the ULQ2004A is below that of the ULQ2003A.

AVAILABLE OPTIONS

T _A	D PACKAGES†
	SMALL OUTLINE
-40°C to 105°C	ULQ2003ATDQ1 ULQ2003ATDRQ1
	ULQ2004ATDQ1‡ ULQ2004ATDRQ1
-40°C to 125°C	ULQ2003AQDRQ1

† The D package is available taped and reeled. Add the suffix R to device type (e.g., ULQ2003TDADRQ1).

‡ ULQ2004ATDQ1 is Product Preview only.

Please be aware that an important notice concerning availability, standard warranty, and use in critical applications of Texas Instruments semiconductor products and disclaimers thereto appears at the end of this data sheet.

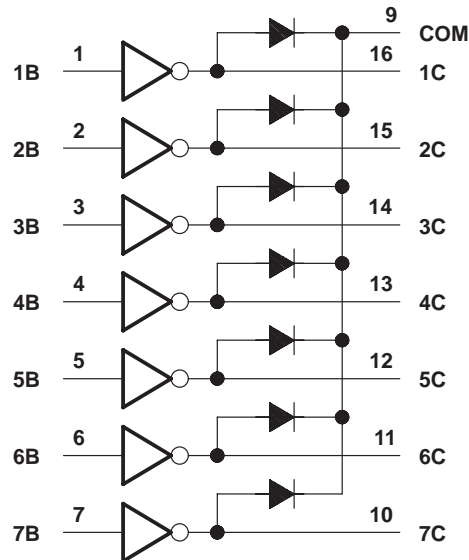


PRODUCTION DATA information is current as of publication date. Products conform to specifications per the terms of Texas Instruments standard warranty. Production processing does not necessarily include testing of all parameters.

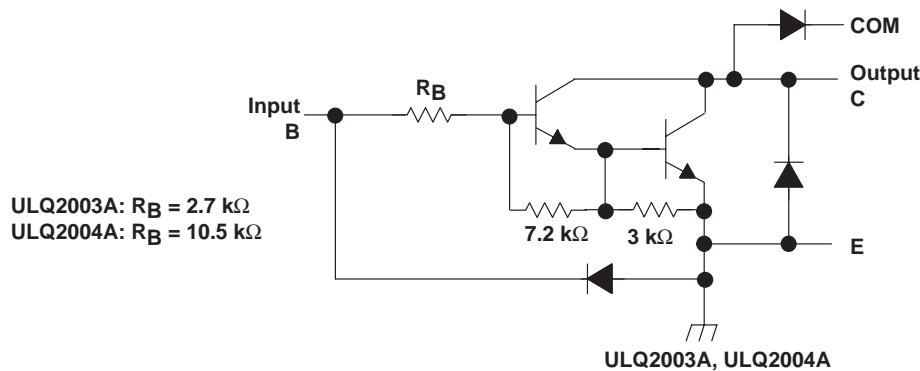
ULQ2003A-Q1, ULQ2004A-Q1, HIGH-VOLTAGE HIGH-CURRENT DARLINGTON TRANSISTOR ARRAY

SGLS148B – DECEMBER 2002 – REVISED JUNE 2006

logic diagram



schematics (each Darlington pair)



All resistor values shown are nominal.

absolute maximum ratings at 25°C free-air temperature (unless otherwise noted)†

Collector-emitter voltage	50 V
Clamp diode reverse voltage (see Note 1)	50 V
Input voltage, V_I (see Note 1)	30 V
Peak collector current (see Figure 14)	500 mA
Output clamp current, I_{OK}	500 mA
Total emitter-terminal current	-2.5 A
Continuous total power dissipation	See Dissipation Rating Table
Package thermal impedance, θ_{JA} (see Note 2)	73°C/W
Operating free-air temperature range, T_A	-40°C to 125°C
Lead temperature 1,6 mm (1/16 inch) from case for 10 seconds	260°C
Storage temperature range, T_{stg}	-65°C to 150°C

† Stresses beyond those listed under "absolute maximum ratings" may cause permanent damage to the device. These are stress ratings only, and functional operation of the device at these or any other conditions beyond those indicated under "recommended operating conditions" is not implied. Exposure to absolute-maximum-rated conditions for extended periods may affect device reliability.

NOTES: 1. All voltage values are with respect to the emitter/substrate terminal E, unless otherwise noted.

2. The package thermal impedance is calculated in accordance with JESD 51-7.

ULQ2003A-Q1, ULQ2004A-Q1, HIGH-VOLTAGE HIGH-CURRENT DARLINGTON TRANSISTOR ARRAY

SGLS148B – DECEMBER 2002 – REVISED JUNE 2006

DISSIPATION RATING TABLE

PACKAGE	$T_A = 25^\circ\text{C}$ POWER RATING	DERATING FACTOR ABOVE $T_A = 25^\circ\text{C}$	$T_A = 85^\circ\text{C}$ POWER RATING	$T_A = 105^\circ\text{C}$ POWER RATING	$T_A = 125^\circ\text{C}$ POWER RATING
D	950 mW	7.6 mW/°C	494 mW	342 mW	190 mW

electrical characteristics over recommended operating conditions (unless otherwise noted)

PARAMETER	TEST CONDITIONS	ULQ2003AT			ULQ2003AQ			ULQ2004A			UNIT
		MIN	TYP	MAX	MIN	TYP	MAX	MIN	TYP	MAX	
$V_{I(on)}$ On-state input voltage, See Figure 6	$V_{CE} = 2\text{ V}$	$I_C = 125\text{ mA}$								5	V
		$I_C = 200\text{ mA}$			2.7		2.7		6		
		$I_C = 250\text{ mA}$			2.9		2.9				
		$I_C = 275\text{ mA}$							7		
		$I_C = 300\text{ mA}$			3		3				
		$I_C = 350\text{ mA}$							8		
$V_{CE(sat)}$ Collector-emitter saturation voltage, See Figure 5	$I_I = 250\text{ }\mu\text{A}$, $I_C = 100\text{ mA}$	0.9	1.2	1	1.3	0.9	1.1	V			
	$I_I = 350\text{ }\mu\text{A}$, $I_C = 200\text{ mA}$	1	1.4	1	1.5	1	1.3				
	$I_I = 500\text{ }\mu\text{A}$, $I_C = 350\text{ mA}$	1.2	1.7	1.2	1.8	1.2	1.6				
I_{CEX} Collector cutoff current	$V_{CE} = 50\text{ V}$, $I_I = 0$, See Figure 1		100		110		50	μA			
	$V_{CE} = 50\text{ V}$, See Figure 2	$I_I = 0$					100				
		$V_I = 1\text{ V}$					500				
V_F Clamp forward voltage, See Figure 8	$I_F = 350\text{ mA}$	1.7	2.2	1.7	2.2	1.7	2.1	V			
$I_{I(off)}$ Off-state input current, See Figure 3	$V_{CE} = 50\text{ V}$, $I_C = 500\text{ }\mu\text{A}$	30	65	30	65	50	65	μA			
I_I Input current, see Figure 4	$V_I = 3.85\text{ V}$	0.93	1.35	0.93	1.35			mA			
	$V_I = 5\text{ V}$					0.35	0.5				
	$V_I = 12\text{ V}$					1	1.45				
I_R Clamp reverse current, See Figure 7	$V_R = 50\text{ V}$, $T_A = 25^\circ\text{C}$		100		100		50	μA			
	$V_R = 50\text{ V}$		100		100		100				
C_i Input capacitance	$V_I = 0$, $f = 1\text{ MHz}$	15	25	15	25	15	25	pF			

switching characteristics over recommended operating conditions (unless otherwise noted)

PARAMETER	TEST CONDITIONS	ULQ2003A, ULQ2004A			UNIT
		MIN	TYP	MAX	
t_{PLH} Propagation delay time, low-to-high level output	See Figure 9		1	10	μs
t_{PHL} Propagation delay time, high-to-low level output	See Figure 9		1	10	μs
V_{OH} High-level output voltage after switching	$V_S = 50\text{ V}$, $I_O \approx 300\text{ mA}$, See Figure 10			$V_S - 500$	mV

ULQ2003A-Q1, ULQ2004A-Q1, HIGH-VOLTAGE HIGH-CURRENT DARLINGTON TRANSISTOR ARRAY

SGLS148B – DECEMBER 2002 – REVISED JUNE 2006

PARAMETER MEASUREMENT INFORMATION

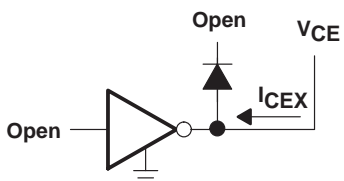


Figure 1. I_{CEX} Test Circuit

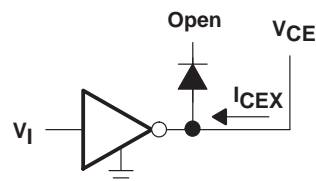


Figure 2. I_{CEX} Test Circuit

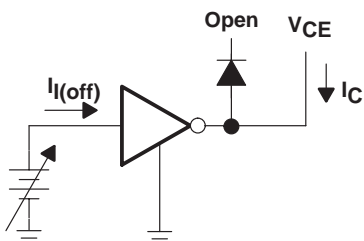


Figure 3. $I_{I(off)}$ Test Circuit

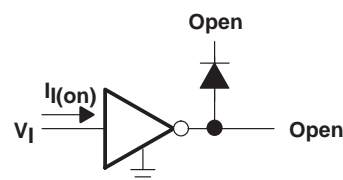
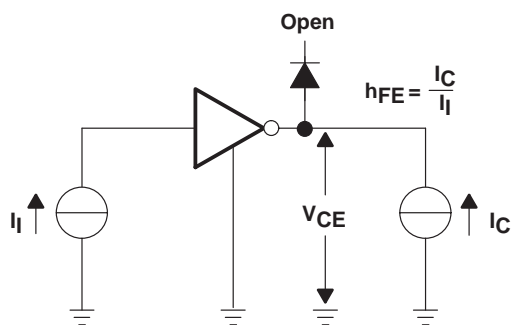


Figure 4. I_I Test Circuit



NOTE: I_I is fixed for measuring $V_{CE(sat)}$, variable for measuring h_{FE} .

Figure 5. h_{FE} , $V_{CE(sat)}$ Test Circuit

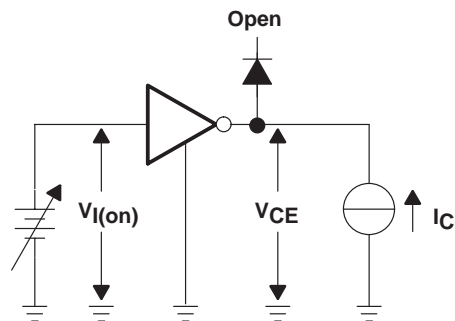


Figure 6. $V_{I(on)}$ Test Circuit

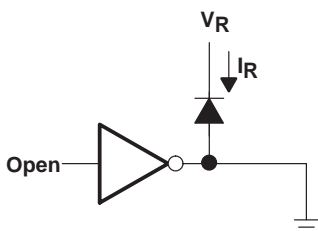


Figure 7. I_R Test Circuit

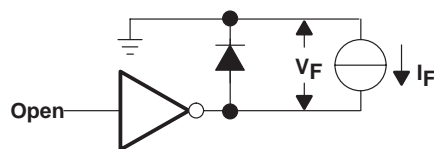
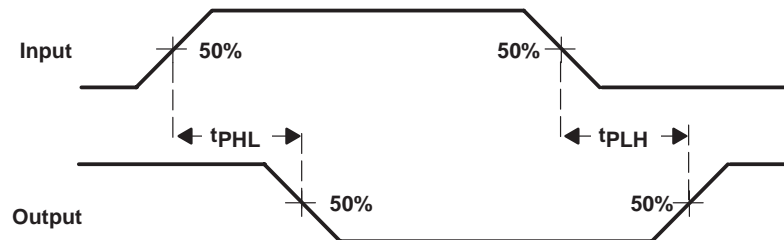


Figure 8. V_F Test Circuit

ULQ2003A-Q1, ULQ2004A-Q1, HIGH-VOLTAGE HIGH-CURRENT DARLINGTON TRANSISTOR ARRAY

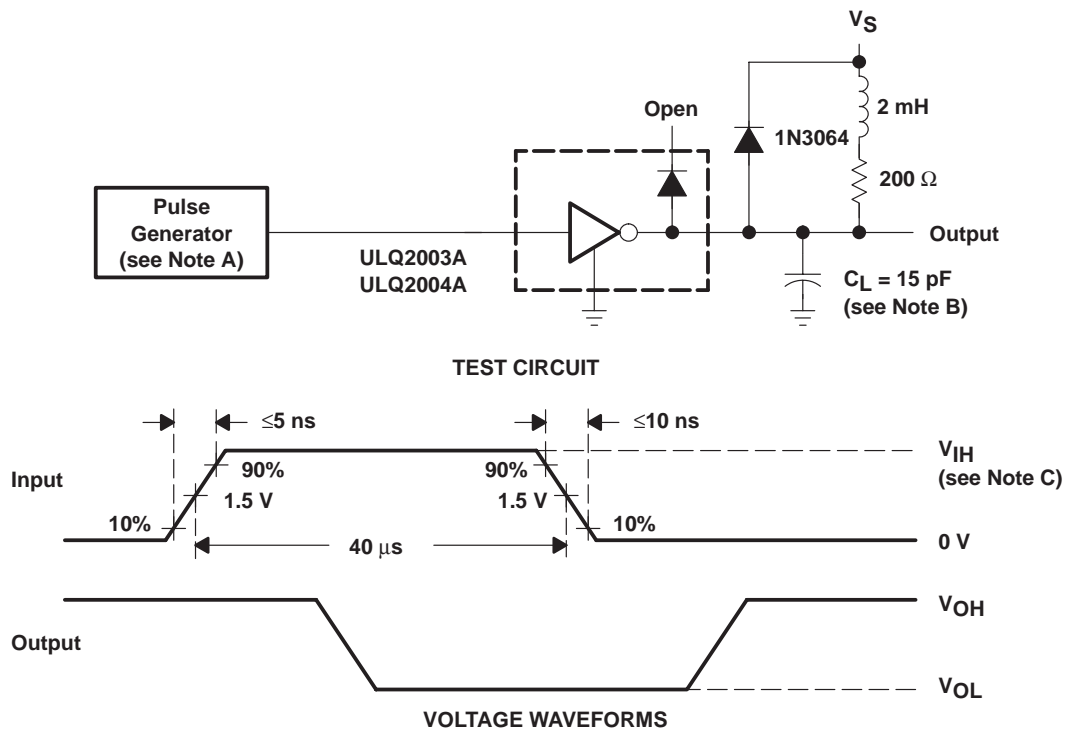
SGLS148B – DECEMBER 2002 – REVISED JUNE 2006

PARAMETER MEASUREMENT INFORMATION



VOLTAGE WAVEFORMS

Figure 9. Propagation Delay-Time Waveforms



TEST CIRCUIT

VOLTAGE WAVEFORMS

- NOTES: A. The pulse generator has the following characteristics: PRR = 12.5 kHz, $Z_O = 50 \Omega$.
 B. C_L includes probe and jig capacitance.
 C. For testing the ULQ2003A, $V_{IH} = 3 \text{ V}$; for the ULQ2004A, $V_{IH} = 8 \text{ V}$.

Figure 10. Latch-Up Test Circuit and Voltage Waveforms

ULQ2003A-Q1, ULQ2004A-Q1, HIGH-VOLTAGE HIGH-CURRENT DARLINGTON TRANSISTOR ARRAY

SGLS148B – DECEMBER 2002 – REVISED JUNE 2006

TYPICAL CHARACTERISTICS

COLLECTOR-EMITTER SATURATION VOLTAGE
vs
COLLECTOR CURRENT
(ONE DARLINGTON)

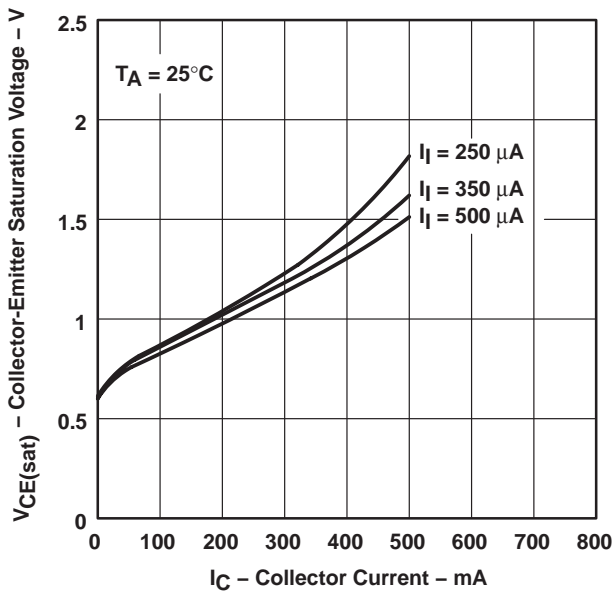


Figure 11

COLLECTOR-EMITTER SATURATION VOLTAGE
vs
TOTAL COLLECTOR CURRENT
(TWO DARLINGTONS IN PARALLEL)

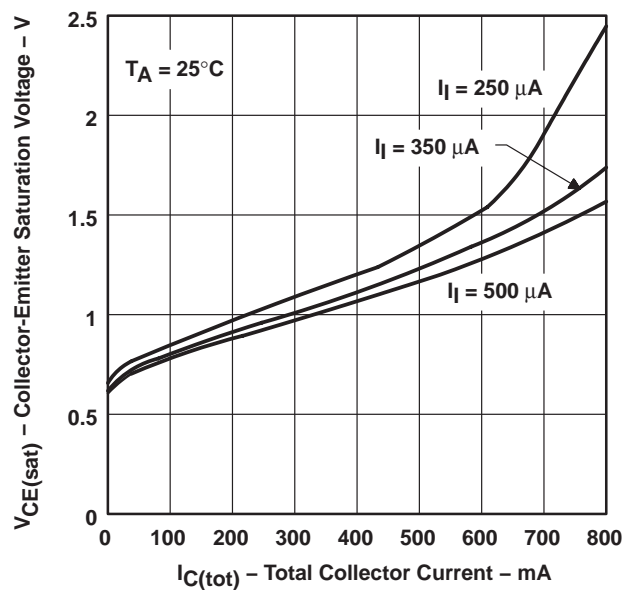


Figure 12

COLLECTOR CURRENT
vs
INPUT CURRENT

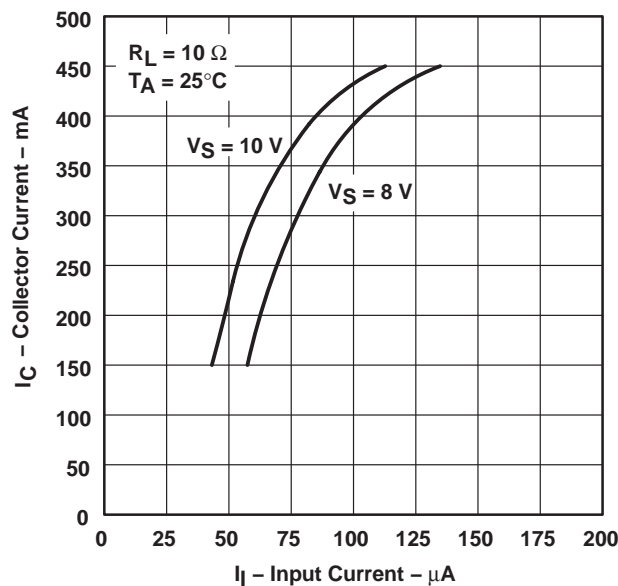


Figure 13

**ULQ2003A-Q1, ULQ2004A-Q1,
HIGH-VOLTAGE HIGH-CURRENT DARLINGTON
TRANSISTOR ARRAY**

SGLS148B – DECEMBER 2002 – REVISED JUNE 2006

THERMAL INFORMATION

**MAXIMUM COLLECTOR CURRENT
vs
DUTY CYCLE**

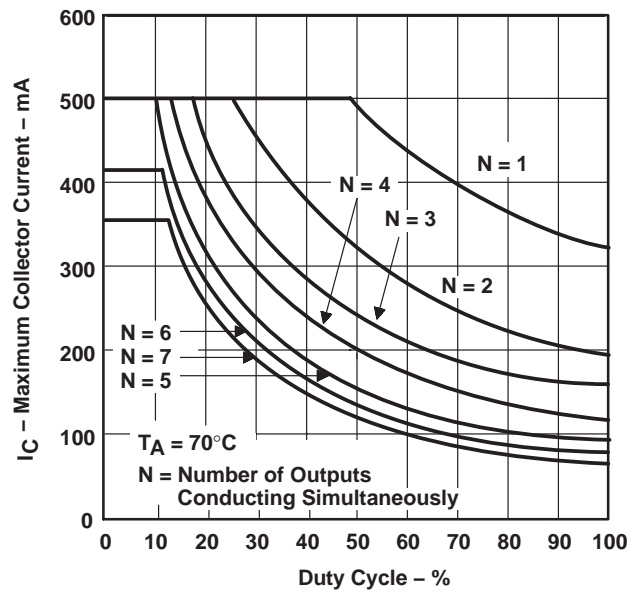


Figure 14

ULQ2003A-Q1, ULQ2004A-Q1, HIGH-VOLTAGE HIGH-CURRENT DARLINGTON TRANSISTOR ARRAY

SGLS148B – DECEMBER 2002 – REVISED JUNE 2006

APPLICATION INFORMATION

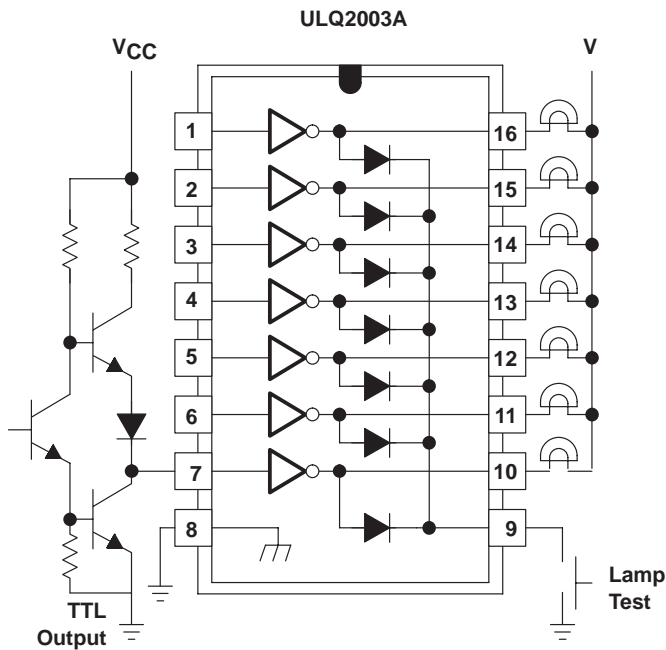


Figure 15. TTL to Load

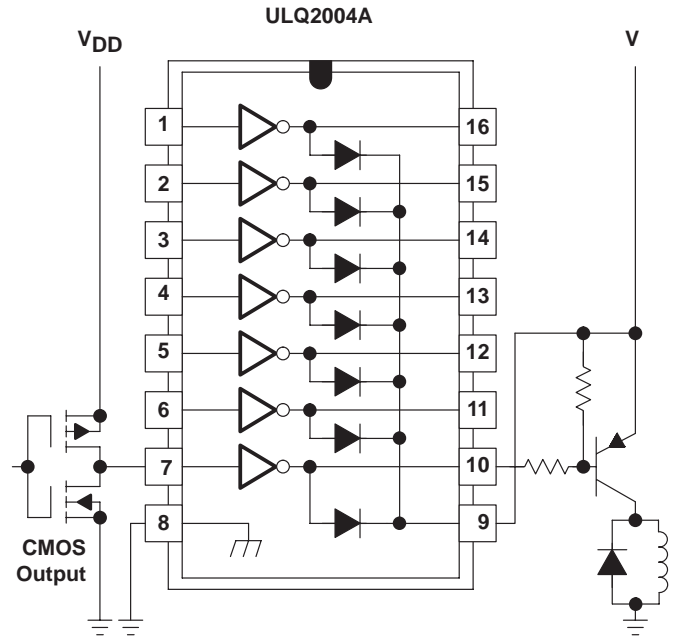


Figure 16. Buffer for Higher Current Loads

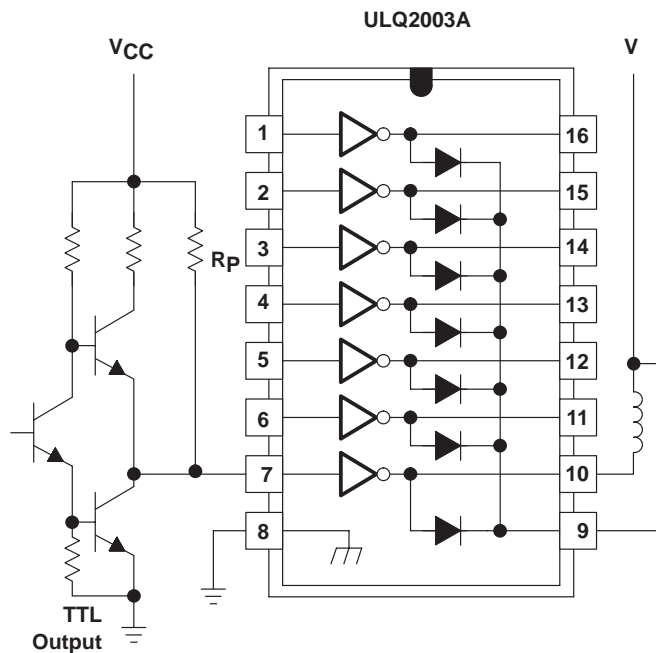


Figure 17. Use of Pullup Resistors
to Increase Drive Current

PACKAGING INFORMATION

Orderable Device	Status ⁽¹⁾	Package Type	Package Drawing	Pins	Package Qty	Eco Plan ⁽²⁾	Lead/Ball Finish	MSL Peak Temp ⁽³⁾
ULQ2003AQDRQ1	ACTIVE	SOIC	D	16	2500	Green (RoHS & no Sb/Br)	CU NIPDAU	Level-1-260C-UNLIM
ULQ2003ATDQ1	ACTIVE	SOIC	D	16	40	Pb-Free (RoHS)	CU NIPDAU	Level-2-250C-1 YEAR/ Level-1-235C-UNLIM
ULQ2003ATDRQ1	ACTIVE	SOIC	D	16	2500	Pb-Free (RoHS)	CU NIPDAU	Level-2-250C-1 YEAR/ Level-1-235C-UNLIM
ULQ2004ATDRQ1	ACTIVE	SOIC	D	16	2500	Pb-Free (RoHS)	CU NIPDAU	Level-2-250C-1 YEAR/ Level-1-235C-UNLIM

⁽¹⁾ The marketing status values are defined as follows:

ACTIVE: Product device recommended for new designs.

LIFEBUY: TI has announced that the device will be discontinued, and a lifetime-buy period is in effect.

NRND: Not recommended for new designs. Device is in production to support existing customers, but TI does not recommend using this part in a new design.

PREVIEW: Device has been announced but is not in production. Samples may or may not be available.

OBSOLETE: TI has discontinued the production of the device.

⁽²⁾ Eco Plan - The planned eco-friendly classification: Pb-Free (RoHS), Pb-Free (RoHS Exempt), or Green (RoHS & no Sb/Br) - please check <http://www.ti.com/productcontent> for the latest availability information and additional product content details.

TBD: The Pb-Free/Green conversion plan has not been defined.

Pb-Free (RoHS): TI's terms "Lead-Free" or "Pb-Free" mean semiconductor products that are compatible with the current RoHS requirements for all 6 substances, including the requirement that lead not exceed 0.1% by weight in homogeneous materials. Where designed to be soldered at high temperatures, TI Pb-Free products are suitable for use in specified lead-free processes.

Pb-Free (RoHS Exempt): This component has a RoHS exemption for either 1) lead-based flip-chip solder bumps used between the die and package, or 2) lead-based die adhesive used between the die and leadframe. The component is otherwise considered Pb-Free (RoHS compatible) as defined above.

Green (RoHS & no Sb/Br): TI defines "Green" to mean Pb-Free (RoHS compatible), and free of Bromine (Br) and Antimony (Sb) based flame retardants (Br or Sb do not exceed 0.1% by weight in homogeneous material)

⁽³⁾ MSL, Peak Temp. -- The Moisture Sensitivity Level rating according to the JEDEC industry standard classifications, and peak solder temperature.

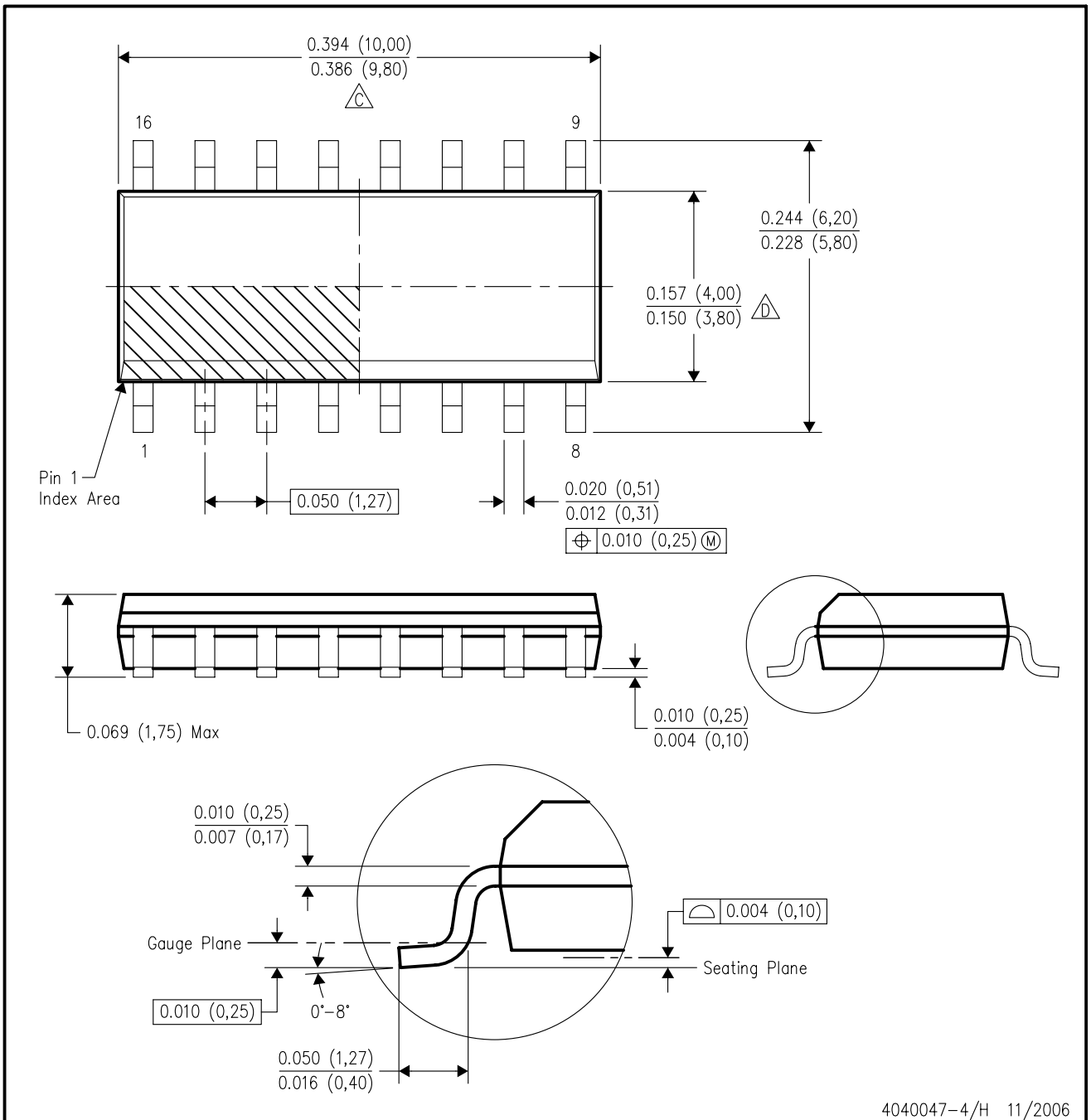
Important Information and Disclaimer:The information provided on this page represents TI's knowledge and belief as of the date that it is provided. TI bases its knowledge and belief on information provided by third parties, and makes no representation or warranty as to the accuracy of such information. Efforts are underway to better integrate information from third parties. TI has taken and continues to take reasonable steps to provide representative and accurate information but may not have conducted destructive testing or chemical analysis on incoming materials and chemicals. TI and TI suppliers consider certain information to be proprietary, and thus CAS numbers and other limited information may not be available for release.

In no event shall TI's liability arising out of such information exceed the total purchase price of the TI part(s) at issue in this document sold by TI to Customer on an annual basis.

MECHANICAL DATA

D (R-PDSO-G16)

PLASTIC SMALL-OUTLINE PACKAGE



4040047-4/H 11/2006

- NOTES:
- A. All linear dimensions are in inches (millimeters).
 - B. This drawing is subject to change without notice.
 - C. Body length does not include mold flash, protrusions, or gate burrs. Mold flash, protrusions, or gate burrs shall not exceed .006 (0,15) per end.
 - D. Body width does not include interlead flash. Interlead flash shall not exceed .017 (0,43) per side.
 - E. Reference JEDEC MS-012 variation AC.

IMPORTANT NOTICE

Texas Instruments Incorporated and its subsidiaries (TI) reserve the right to make corrections, modifications, enhancements, improvements, and other changes to its products and services at any time and to discontinue any product or service without notice. Customers should obtain the latest relevant information before placing orders and should verify that such information is current and complete. All products are sold subject to TI's terms and conditions of sale supplied at the time of order acknowledgment.

TI warrants performance of its hardware products to the specifications applicable at the time of sale in accordance with TI's standard warranty. Testing and other quality control techniques are used to the extent TI deems necessary to support this warranty. Except where mandated by government requirements, testing of all parameters of each product is not necessarily performed.

TI assumes no liability for applications assistance or customer product design. Customers are responsible for their products and applications using TI components. To minimize the risks associated with customer products and applications, customers should provide adequate design and operating safeguards.

TI does not warrant or represent that any license, either express or implied, is granted under any TI patent right, copyright, mask work right, or other TI intellectual property right relating to any combination, machine, or process in which TI products or services are used. Information published by TI regarding third-party products or services does not constitute a license from TI to use such products or services or a warranty or endorsement thereof. Use of such information may require a license from a third party under the patents or other intellectual property of the third party, or a license from TI under the patents or other intellectual property of TI.

Reproduction of information in TI data books or data sheets is permissible only if reproduction is without alteration and is accompanied by all associated warranties, conditions, limitations, and notices. Reproduction of this information with alteration is an unfair and deceptive business practice. TI is not responsible or liable for such altered documentation.

Resale of TI products or services with statements different from or beyond the parameters stated by TI for that product or service voids all express and any implied warranties for the associated TI product or service and is an unfair and deceptive business practice. TI is not responsible or liable for any such statements.

Following are URLs where you can obtain information on other Texas Instruments products and application solutions:

Products

Amplifiers	amplifier.ti.com
Data Converters	dataconverter.ti.com
DSP	dsp.ti.com
Interface	interface.ti.com
Logic	logic.ti.com
Power Mgmt	power.ti.com
Microcontrollers	microcontroller.ti.com
Low Power Wireless	www.ti.com/lpw

Applications

Audio	www.ti.com/audio
Automotive	www.ti.com/automotive
Broadband	www.ti.com/broadband
Digital Control	www.ti.com/digitalcontrol
Military	www.ti.com/military
Optical Networking	www.ti.com/opticalnetwork
Security	www.ti.com/security
Telephony	www.ti.com/telephony
Video & Imaging	www.ti.com/video
Wireless	www.ti.com/wireless

Mailing Address: Texas Instruments
Post Office Box 655303 Dallas, Texas 75265