

8-CHANNEL POWER SUPPLY SEQUENCER AND MONITOR

FEATURES

- Single Supply Voltage: 3.3 V
- Low Power Consumption
- Sequences and Monitors up to 8 Voltage Rails
- Rail Voltages Sampled Every 50 μ s With 3.2-mV Resolution
- Four Configurable Digital Outputs for Power-On-Reset and Other Functions
- Configurable Rail Enable Output Polarity
- Flexible Rail Sequencing: Timeline (ms), Parent Rail Regulation Window, Parent Rail Achieving Defined Threshold
- Under and Overvoltage Thresholds: Settable Per-Rail
- Regulation Expiration Time: Settable Per-Rail
- Flexible Rail Shutdown: Parent Rail Shutdown can Shutdown Child Rails, Independent Rail Configuration
- Per-Rail Alarm Conditions, with Timestamp: Under and Overvoltage Glitch, Sustained Under and/or Overvoltage, Rail Did Not Start
- I²C Interface for Configuration and Monitoring
- Microsoft Windows™ GUI for Configuration and Monitoring

APPLICATIONS

- Telecommunications Switches
- Servers
- Networking Equipment
- Test Equipment
- Any System Requiring Sequencing of Multiple Voltage Rails

DESCRIPTION

The UCD9080 Power Supply Sequencer controls the enable sequence of up to 8 independent voltage rails and provides four general purpose digital outputs. The device operates from a 3.3-V supply, provides 3.2-mV resolution of voltage rails, and requires no external memory or clock. The UCD9080 monitors the voltage rails independently at more than a 20 kHz rate and has a high degree of rail sequence and rail error response configurability. The sequencing of rails can be based on timed events, or timed events in conjunction with other rails achieving regulation or a voltage threshold. In addition, each rail is monitored for undervoltage and overvoltage glitches and thresholds. Each rail the UCD9080 monitors can be configured to shutdown a user-defined set of other rails, and alarm conditions are monitored on a per-rail basis.

Figure 1 shows the UCD9080 Power Supply Sequencer in a typical application

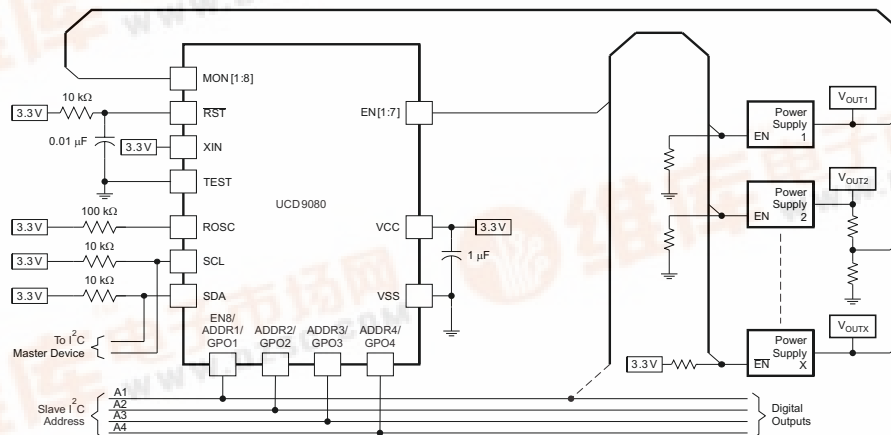


Figure 1. Typical Application Diagram

PRODUCT PREVIEW

Please be aware that an important notice concerning availability, standard warranty, and use in critical applications of Texas Instruments semiconductor products and disclaimers thereto appears at the end of this data sheet.

TMS320 is a trademark of Texas Instruments.
Microsoft Windows is a trademark of Microsoft Corporation.

UCD9080

SLVS692A–SEPTEMBER 2006–REVISED DECEMBER 2006



These devices have limited built-in ESD protection. The leads should be shorted together or the device placed in conductive foam during storage or handling to prevent electrostatic damage to the MOS gates.

ORDERING INFORMATION

T _A	PACKAGED DEVICES ⁽¹⁾⁽²⁾	MSOP SYMBOL
–40°C to 85°C	UCD9080RHBR	RHB
	UCD9080RHBT	

- (1) The package is available taped and reeled. Add the R suffix for reeled quantities. Add the T suffix for taped quantities.
- (2) For the most current package and ordering information, see the Package Option Addendum at the end of this document, or see the TI Web site at www.ti.com.

ABSOLUTE MAXIMUM RATINGS⁽¹⁾

	VALUE	UNIT
Voltage applied at V _{CC} to V _{SS}	–0.3 to 4.1	V
Voltage applied to any pin ⁽²⁾	–0.3 to V _{CC} + 0.3	V
Diode current at any device terminal	±2	mA
T _{stg} Storage temperature	–40 to 85	°C

- (1) Stresses beyond those listed under *absolute maximum ratings* may cause permanent damage to the device. These are stress ratings only and functional operation of the device at these or any other conditions beyond those indicated under *recommended operating conditions* is not implied. Exposure to absolute-maximum-rated conditions for extended periods may affect device reliability.
- (2) All voltages referenced to V_{SS}.

RECOMMENDED OPERATING CONDITIONS

	MIN	NOM	MAX	UNIT		
V _{CC}	Supply voltage during operation	3	3.3	3.6	V	
	Supply during configuration changes	3	3.3	3.6		
T _A	Operating free-air temperature range			–40	85	°C

ELECTRICAL CHARACTERISTICS

These specifications are over recommended ranges of supply voltage and operating free-air temperature, unless otherwise noted

PARAMETER	TEST CONDITIONS	MIN	NOM	MAX	UNIT		
SUPPLY CURRENT							
I _S	Supply current into V _{CC} excluding external current	V _{CC} = 3 V		300	350	μA	
I _C	Supply current during configuration	2.5 V / 3.6 V		3	7	mA	
STANDARD INPUTS (RST, TEST)							
V _{IL}	Low-level input voltage	V _{CC} = 3 V		V _{SS}	V _{SS} + 0.6	V	
V _{IH}	High-level input voltage	V _{CC} = 3 V		0.8×V _{CC}	V _{CC}	V	
SCHMITT TRIGGER INPUTS (SDA, SCL, ADDR1, ADDR2, ADDR3, ADDR4)							
V _{IT+}	Positive-going input threshold voltage	V _{CC} = 3 V		1.5	1.9	V	
V _{IT–}	Negative-going input threshold voltage	V _{CC} = 3 V		0.9	1.3	V	
V _{hys}	Input voltage hysteresis, (V _{IT+} – V _{IT–})	V _{CC} = 3 V		0.5	1	V	
I _{lkg}	High impedance leakage current	RST, TEST, SDA, SCL, ADDR1, ADDR2, ADDR3, ADDR4				±50	nA

ELECTRICAL CHARACTERISTICS (continued)

These specifications are over recommended ranges of supply voltage and operating free-air temperature, unless otherwise noted

PARAMETER		TEST CONDITIONS	MIN	NOM	MAX	UNIT		
ANALOG INPUTS (MON1, MON2, MON3, MON4, MON5, MON6, MON7, MON8, ROSC)								
V _{CC}	Analog supply voltage	V _{SS} = 0 V	1.8		3.6	V		
V _{CC(min)}	V _{CC} minimum voltage when sampling		2.35			V		
V _(R<1..8>)	Analog input voltage	Internal voltage reference	0		2.5	V		
		External voltage reference (V _{CC} = 3.3 V used as reference)	0		V _{CC}			
C _I ⁽¹⁾	Input capacitance	Only one terminal can be selected at a time (MON1–MON8)			27	pF		
R _I ⁽¹⁾	Input MUX ON resistance	0 V ≤ V _{Ax} ≤ V _{CC} , V _{CC} = 3 V			2000	Ω		
I _{lkg}	High-impedance leakage current	MON1–MON8			±50	nA		
V _{REF+}	Positive internal reference voltage output	REF2_5V = 1 for 2.5 V I _(VREF+) ≤ I _{(VREF+)max}	V _{CC} = 3 V	2.35	2.5	2.65	V	
		REF2_5V = 0 for 1.5 V I _(VREF+) ≤ I _{(VREF+)max}	V _{CC} = 3 V	1.41	1.5	1.59	V	
V _{CC(min)}	V _{CC} minimum voltage, Positive built-in reference active	REF2_5V = 0, I _(VREF+) ≤ 1 mA		2.2		V		
		REF2_5V = 1, I _(VREF+) ≤ 0.5 mA		V _{REF+} + 0.15		V		
		REF2_5V = 1, I _(VREF+) ≤ 1 mA		V _{REF+} + 0.15		V		
V _(acc)	Accuracy of voltage sampling from rails	Internal reference (2.5 V)		±6.8	±12	±17.4	mV	
		External reference (3.3 V/V _{CC})		±0.2	±1.6	±6.8		
T _{REF+} ⁽¹⁾	Temperature coefficient of built-in reference	I _(VREF+) is a constant in the range of 0 mA ≤ I _(VREF+) ≤ 1 mA, V _{CC} = 3 V			±100	ppm/°C		
DCO OPERATING PERIOD								
t _(PERIOD)		V _{CC} = 3 V, T _A = 25°C, R _{OSC} = 100 kΩ	227	204	185	nS		
MISCELLANEOUS								
T _{retention}	Retention of configuration parameters	T _J = 25°C	100			Years		
POR, Brownout, Reset (see ⁽²⁾(³))								
t _{d(BOR)}	Brownout	dV _{CC} /dt ≤ 3 V/s			2000	μs		
V _{CC(start)}					0.7×V _(B_IT-)	V		
V _(B_IT-)						1.71	V	
V _{hys(B_IT-)}					70	130	180	mV
t _(reset)				Pulse length needed at RST pin to accept reset internally, V _{CC} = 3 V	2			μs
DIGITAL OUTPUTS (EN8/GPO1, GPO2, GPO3, GPO4, EN1, EN2, EN3, EN4, EN5, EN6, EN7, SDA)								
V _{OH}	High-level output voltage	I _{OH(max)} = -1.5 mA, ⁽⁴⁾ V _{CC} = 3 V	V _{CC} - 0.25		V _{CC}	V		
		I _{OH(max)} = -6 mA, ⁽⁵⁾ V _{CC} = 3 V	V _{CC} - 0.6		V _{CC}			
V _{OL}	VOL Low-level output voltage	I _{OH(max)} = -1.5 mA, ⁽⁴⁾ V _{CC} = 3 V	V _{SS}		V _{SS} + 0.25	V		
		I _{OH(max)} = -6 mA, ⁽⁵⁾ V _{CC} = 3 V	V _{SS}		V _{SS} + 0.6			
I _{lkg}	High-impedance leakage current	V _{CC} = 3 V			±50	nA		

(1) Not production tested. Limits verified by design.

(2) The current consumption of the brown-out module is already included in the I_{CC} current consumption data.

(3) During power up, device initialization starts following a period of t_{d(BOR)} after V_{CC} = V_(B_IT-) + V_{hys(B_IT-)}.

(4) The maximum total current, I_{OH(max)} and I_{OL(max)}, for all outputs combined, should not exceed ±12 mA to hold the maximum voltage drop specified.

(5) The maximum total current, I_{OH(max)} and I_{OL(max)}, for all outputs combined, should not exceed ±48 mA to hold the maximum voltage drop specified.

The UCD9080 is compatible with 3.3-V IO ports of microcontrollers, TMS320™ DSP Family as well as ASICs. The UCD9080 is available in a plastic 32-pin QFN package (RHB).

DIGITAL OUTPUTS (only one output is loaded at a time)

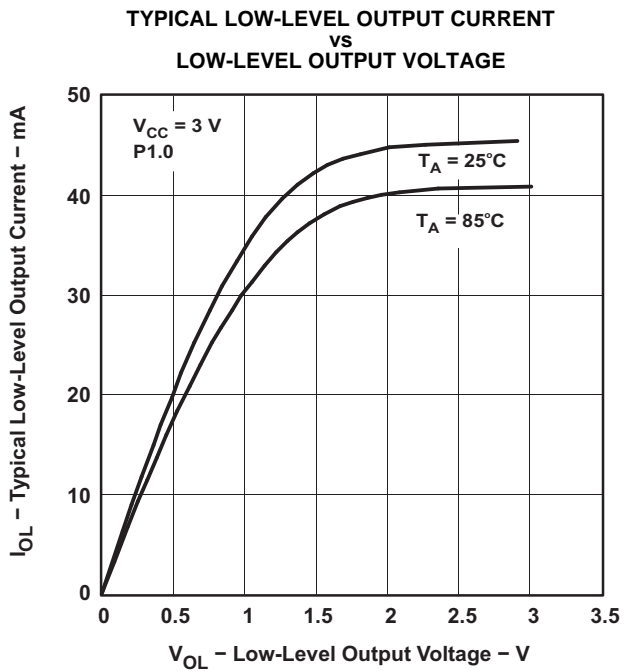


Figure 2.

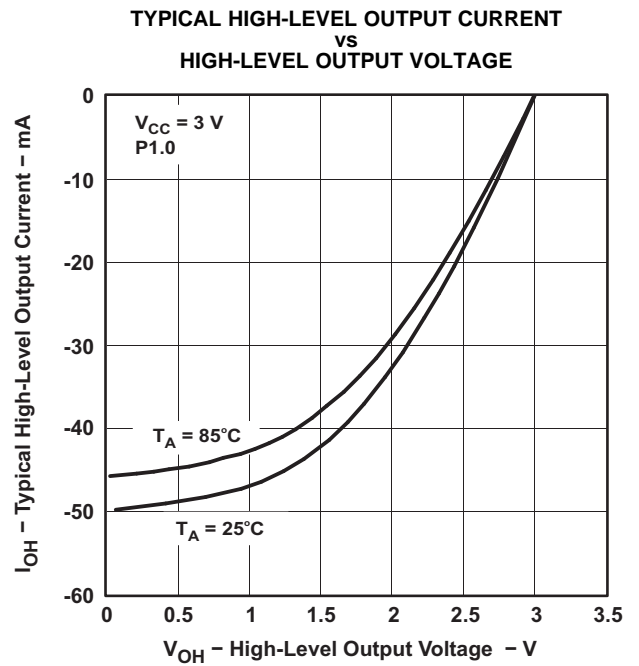


Figure 3.

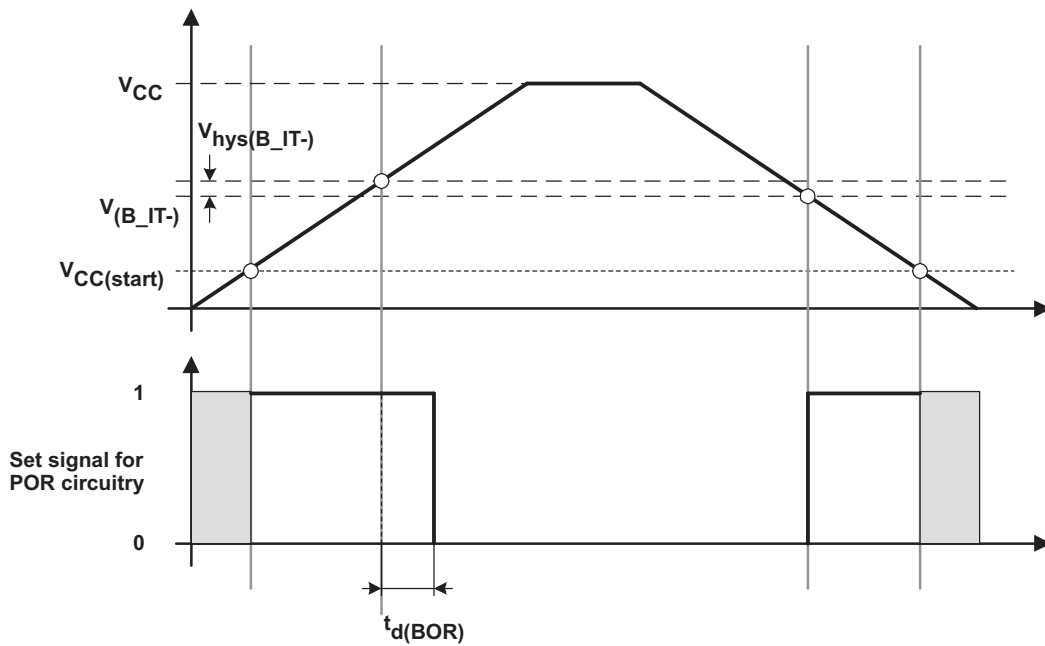


Figure 4. POR/Brownout Reset (BOR) vs Supply Voltage

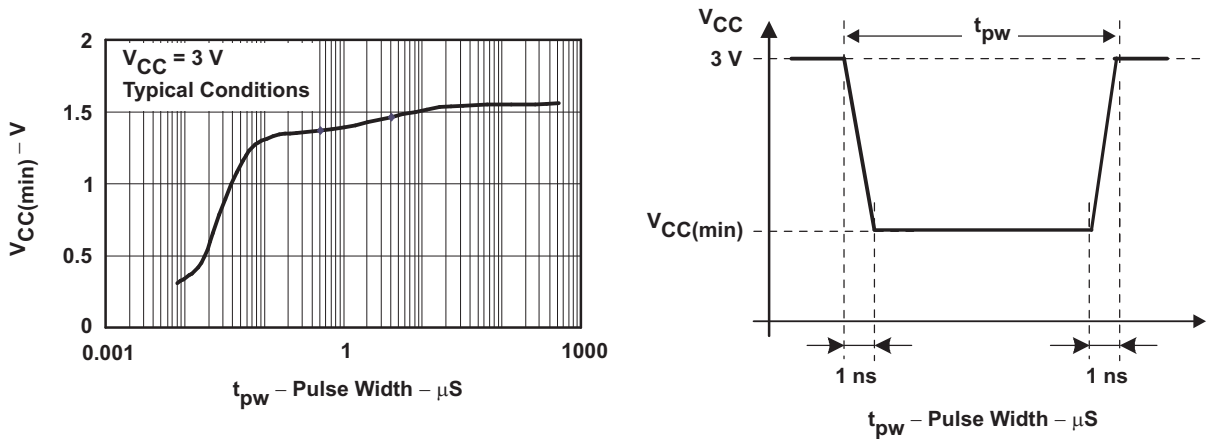


Figure 5. $V_{CC(min)}$ Level With a Square Voltage Drop to Generate a POR/Brownout Signal

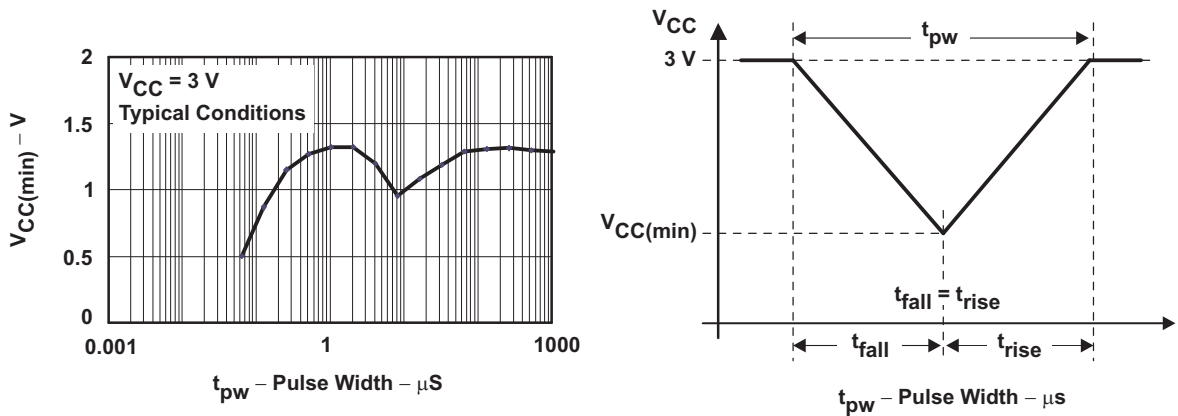


Figure 6. $V_{CC(min)}$ Level With a Triangle Voltage Drop to Generate a POR/Brownout Signal

I²C TIMING

The UCD9080 supports the same timing parameters as “Standard-Mode” I²C. See the timing diagram and timing parameters below for more information.

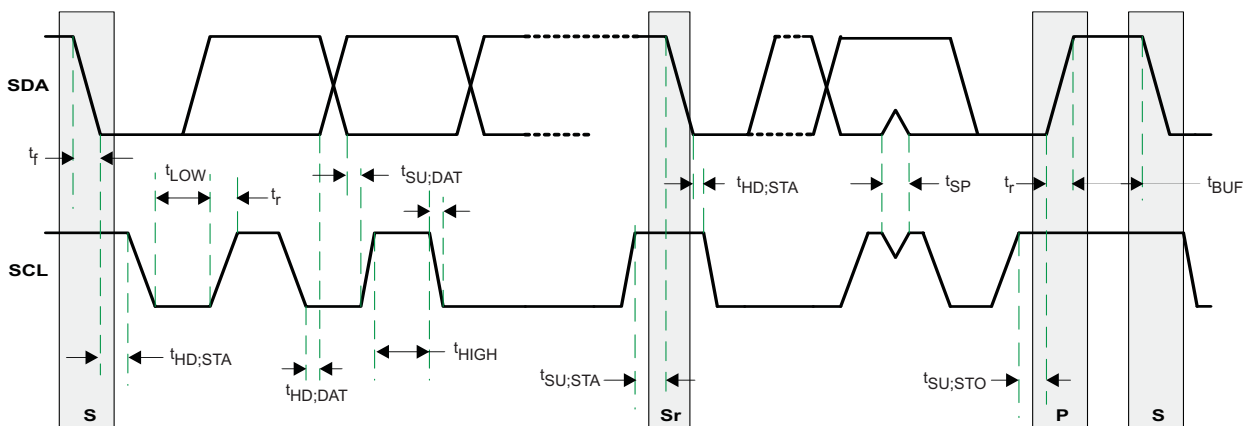


Figure 7. Timing Diagram for I²C Interface

UCD9080

SLVS692A—SEPTEMBER 2006—REVISED DECEMBER 2006

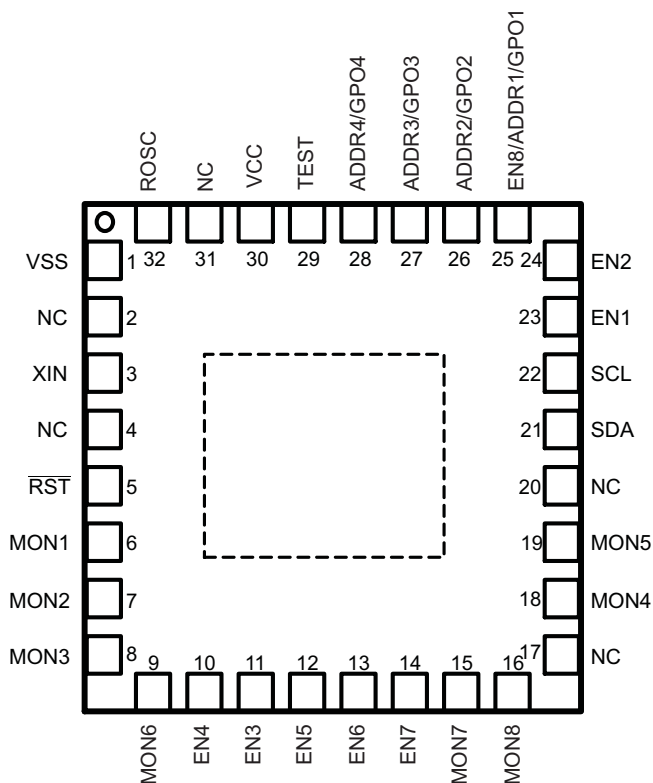
TIMING PARAMETERS FOR I²C INTERFACE

PARAMETER		MIN	MAX	UNIT
t _{of}	Output fall time from V _{OH} to V _{OL} ⁽¹⁾ with a bus capacitance from 10 pF to 400 pF.		250 ⁽²⁾	ns
C _I	Capacitance for each pin.		10	pF
f _{SCL}	SCL Clock Frequency	10	100	kHz
t _{HD:STA}	Hold time (repeated) START condition. After this period, the first clock pulse is generated.	4		μs
t _{LOW}	LOW period of the SCL clock	4.7		μs
t _{HIGH}	HIGH period of the SCL clock	4		μs
t _{SU:STA}	Set-up time for repeated start condition	4.7		μs
t _{SU:DAT}	Data set-up time	250		ns
t _r	Rise time of both SDA and SCL signals		1000	ns
t _f	Fall time of both SDA and SCL signals		300	ns
t _{SU:STO}	Set-up time for STOP condition	4		μs
t _{BUF}	Bus free time between a STOP and START condition	4.7		μs
C _(b)	Capacitive load for each bus line		400	pF
V _{nL}	Noise margin at the LOW level for each connected device (including hysteresis)	0.1 VDD		V
V _{nH}	Noise margin at the HIGH level for each connected device (including hysteresis)	0.2 VDD		V

(1) See the *Electrical Characteristics* section of this data sheet.

(2) The maximum t_r for the SDA and SCL bus lines (300 ns) is longer than the specified maximum t_{of} for the output stages (250 ns). This allows series protection resistors (R_s) to be connected between the SDA/SCL pins and the SDA/SCL bus lines without exceeding the maximum specified t_r.

RHB PACKAGE
(TOP VIEW)



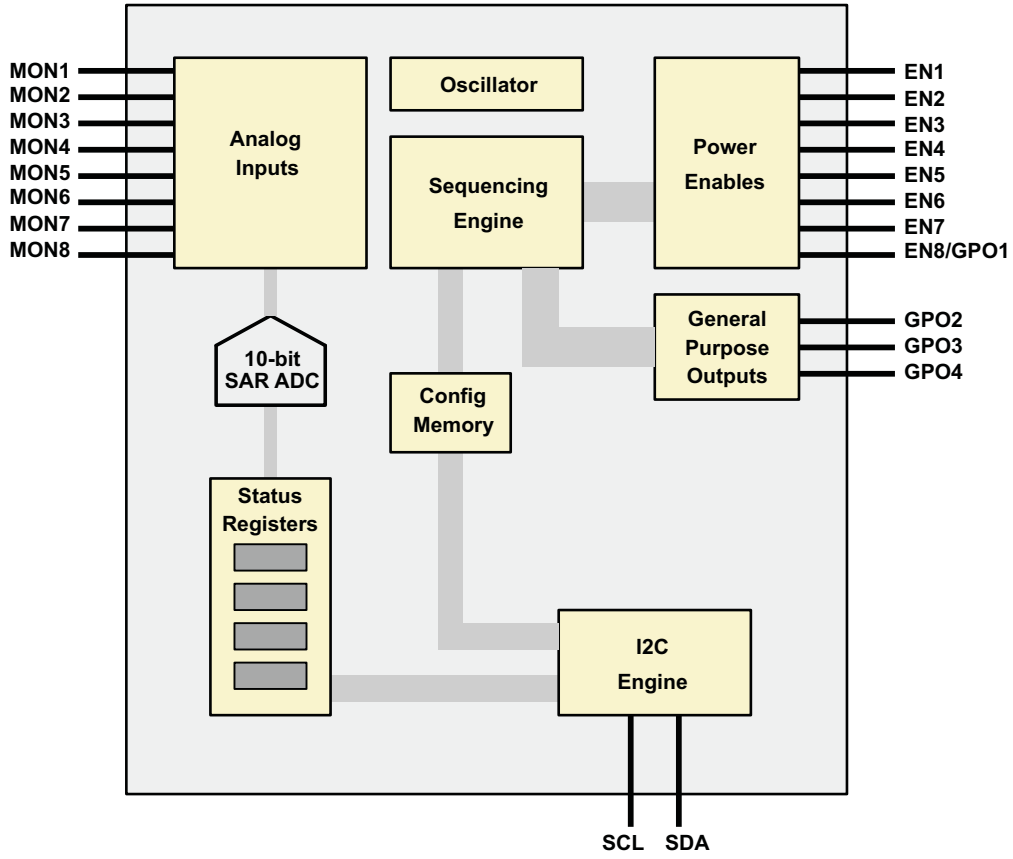
TERMINAL FUNCTIONS

TERMINAL		I/O	DESCRIPTION
NAME	NO.		
VSS	1		Ground reference
NC	2, 4, 17, 20, 31		Not connected internally. Connect to VSS.
XIN	3		Connect to VCC
$\overline{\text{RST}}$	5	I	Reset input.
MON1	6	I	Analog input for voltage rail 1.
MON2	7	I	Analog input for voltage rail 2.
MON3	8	I	Analog input for voltage rail 3.
MON6	9	I	Analog input for voltage rail 6.
EN4	10	O	Voltage rail 4 enable (digital output).
EN3	11	O	Voltage rail 3 enable (digital output).
EN5	12	O	Voltage rail 5 enable (digital output).
EN6	13	O	Voltage rail 6 enable (digital output).
EN7	14	O	Voltage rail 7 enable (digital output).
MON7	15	I	Analog input for voltage rail 7.
MON8	16	I	Analog input for voltage rail 8.
MON4	18	I	Analog input for voltage rail 4.
MON5	19	I	Analog input for voltage rail 5.
SDA	21	I/O	I ² C data (bi-directional). Must pull-up to 3.3 V.
SCL	22	I	I ² C clock. Must pull-up to 3.3 V.
EN1	23	O	Voltage rail 1 enable (digital output).
EN2	24	O	Voltage rail 2 enable (digital output).
EN8 /ADDR1/ GPO1	25	I/O	Voltage rail 8 enable (digital output), I ² C address select 1, general-purpose digital output 1
ADDR2/GPO2	26	I/O	I ² C address select 2, general-purpose digital output 2.
ADDR3/GPO3	27	I/O	I ² C address select 3, general-purpose digital output 3.
ADDR4/GPO4	28	I/O	I ² C address select 4, general-purpose digital output 4.
TEST	29	I	Connect to VSS
VCC	30		Supply voltage.
ROSC	32		Internal oscillator frequency adjust. Must use 100 K pull-up to VCC for minimum drift and maximum frequency when sampling voltage rails.

UCD9080

SLVS692A—SEPTEMBER 2006—REVISED DECEMBER 2006

FUNCTIONAL BLOCK DIAGRAM



PRODUCT PREVIEW

FUNCTIONAL DESCRIPTION

POWER SUPPLY SEQUENCING

The UCD9080 can be configured to sequence the power rails using the enable signals or the general-purpose outputs in one of three ways:

The first way is to specify a delay time after a sequence event. A sequence event includes a device reset (including power-on-reset), a RESET command, or a resequence action. The enable/GPO is asserted after the sequence event plus specified delay.

The second way is to specify a delay time after another (parent) rail has achieved regulation (V_{rail} is within specified under and overvoltage settings). The enable/GPO is asserted after the (parent) rail is in regulation plus specified delay.

The third way is to specify a (parent) rail voltage. The enable/GPO is asserted after the (parent) rail voltage is greater than or equal to the specified voltage.

Of course, a rail does not have to be sequenced. This could be used in the case of a backplane voltage which is not under the control of the UCD9080, but is being monitored.

POWER SUPPLY ENABLES

The UCD9080 can sequence and enable/disable up to 8 power supplies through the ENx (EN1 to EN8) signals on the device. These signals can be configured for either active high or active low, to support power supplies that use either polarity.

The enable signals for up to 8 power supplies can be sequenced by the UCD9080 as described below. Note that the EN8 is used for I²C address selection, General-purpose output as well as the enable signal for the voltage rail 8. This means that this signal is unavailable until the UCD9080 has selected its I²C address. If the system requires the GPO1 signal, then this signal is not available for power supply enable sequencing.

The enable signals on the UCD9080 are not intended to drive the gate of N-channel MOSFET. These pins are LVCMOS level only, providing the capability of driving either logic high or low (3.3 V or 0 V).

Note that while the UCD9080 is not operating, the state of the enable signals is not defined. If these signals need to be defaulted to the disabled state, according to the power supply definition, then they should be pulled up or down accordingly on the board.

VOLTAGE REFERENCE

The UCD9080 has a voltage reference that is selectable via the I²C interface and parameter configuration section. The voltage reference can either be an internally generated 2.5-V reference or an external 3.3-V reference. If the external voltage reference is selected, then the 3.3-V reference is from the V_{CC} supply to the UCD9080.

Depending on the voltage reference that is being used, the accuracy of reading voltages is affected. The internal reference is not as accurate as the external reference and affects the accuracy of the sampled voltages of the monitored rails. See the *Electrical Characteristics* for information on voltage reading accuracy for use with each of the references.

The section on *Configuring the UCD9080* details how to select the internal or external voltage reference.

FUNCTIONAL DESCRIPTION (continued)

VOLTAGE MONITORING

The UCD9080 can monitor 8 voltage rails through the MONx terminals of the device (MON1–MON8). The UCD9080 samples these 8 input channels using either an internal 2.5-V reference or V_{CC} (3.3 V) as a voltage reference for conversion of the voltage to digital values, which are accessible via the I²C interface for each rail.

When monitoring a voltage rail that has a nominal voltage larger than 2.5 V (internal reference) or 3.3 V (external reference), a resistor divider network is typically used. The design must ensure that the source impedance of that resistor network is not too high, as it causes the UCD9080 A/D converter to take longer to perform the sample and hold conversion. This causes the frequency of the sampling of voltage rails to slow below 20 KHz

Using a higher-valued resistor network lowers the overall power dissipation of the solution, which is desirable. In order to keep the source impedance low, a buffer circuit is typically used. The UCD9080 analog inputs require that a source impedance of less than 20 k Ω be used in order to maintain the high sampling rate of the voltages.

The UCD9080 allows each monitored rail to specify over voltage threshold, under voltage threshold as well as *out of regulation* width, to account for glitches on the voltage rails. Each rail can be specified as a *critical rail*, which marks it to have its alarm error log copied to persistent memory on the UCD9080 for later failure analysis.

Any voltage rail can also be marked to not be monitored, in which case all checks and alarm conditions are disabled.

RAIL SHUTDOWN

Each rail that the UCD9080 supports can be shutdown for different reasons (sustained overvoltage or undervoltage, rail did not start). The UCD9080 provides a configurable response to this type of scenario for each rail that it is sequencing or monitoring,

The options for rail shutdown are as follows:

- Ignore
- Retry forever
- Re-sequence (immediate)
- Retry n times, then shutdown after user-specified delay
- Shutdown after user-specified delay

If the system does not care if a monitored rail enters a sustained error condition, the UCD9080 can be configured to ignore this type of error on a voltage rail. The UCD9080 ignores the errors and keep monitoring the voltage of this rail. In this event, the UCD9080 logs this error event, but takes no action.

The UCD9080 also allows a rail to be configured to retry enabling the rail continuously. When the UCD9080 detects that the rail should be shutdown, the rail is disabled, then there is a fixed 5-ms delay and then the rail is re-enabled. This process repeats continuously for this voltage rail.

The UCD9080 can also be configured to re-sequence the entire system immediately in response to the sustained error condition. In this event, the UCD9080 disables all rails, then it performs a re-sequencing of all configured rails and GPOs, as defined by the current sequencer configuration after a fixed 5-ms delay.

The UCD9080 can also be configured to retry up to n times in response to the sustained error condition. If the error condition still exists after sampling this many times, then this voltage rail (and any other rails specified in the dependency mask) are shutdown in the specified number of milliseconds.

The last option that the UCD9080 allows is a shutdown of the configured rail (and its dependent rails) when entering the sustained error condition. A rail is shutdown after a user-specified delay.

Each rail that the UCD9080 is monitoring also has a flag that marks the selected rail to re-sequence the system if it happens to be a dependency of another rail in the system that was shut down. For example, if rail 1 is configured to re-sequence after shutdown (*re-sequence* flag set), and rail 2 has rail 1 in its dependency mask, then if rail 2 is shutdown, the system will be re-sequenced.

FUNCTIONAL DESCRIPTION (continued)

GENERAL-PURPOSE OUTPUTS

The UCD9080 can control up to 4 general-purpose digital outputs through the same sequencing mechanisms as described below. These general-purpose outputs (referred to as GPO1–GPO4) can be used for digital signals such as RESET signals or LEDs on a board. Note that these signals are multiplexed with other functions (primarily I²C address selection) so be sure to consult the pin functions section to make sure that these are used properly by the application. Also note that the GPO1 signal is multiplexed with EN8, so both of these cannot be used at the same time.

BROWNOUT

The brownout circuit is implemented to provide the proper internal reset signal to the device during power on and power off.

I²C INTERFACE

The UCD9080 Power Supply Sequencer has an I²C slave interface for communication with an I²C master for configuration and monitoring of the power supply sequencer and rails. The UCD9080 supports slave-mode operation for a 100 kHz I²C bus. This interface is used for configuring the UCD9080 as well as monitoring each of the voltage rails and reporting the voltage of each independently

I²C Address Selection

The UCD9080 supports 7-bit I²C addressing. The UCD9080 supports selection of an I²C address by sampling of 4 digital inputs to the device (ADDR1–ADDR4) and selecting an I²C address, based on the digital state of each of these signals. When the UCD9080 is released from reset, these four signals are sampled. Based on the state of these four signals, the I²C slave address is assigned to the UCD9080 as shown in [Figure 8](#).

A7 = 1	A6 = 1	A5 = 0	A4 = ADDR4/GPO4	A3 = ADDR3/GPO3	A2 = ADDR2/GPO2	A1 = EN8/ADDR1/GPO1
--------	--------	--------	-----------------	-----------------	-----------------	---------------------

Figure 8. I²C ADDRESS = 0x60–0x6F

External pull-up/pull-down resistors are required to configure the I²C address; the UCD9080 does not have internal bias resistors. Note that the 7-bit I²C address refers to the address bits only, not the read/write (8th) bit in the first byte of the I²C protocol. The base I²C address is 0x60 and the I²C general call address (0x00) is not supported.

After the initialization process of the UCD9080 is complete, these four digital signals can be used for general-purpose outputs of the sequencer. They can be programmed and sequenced as described later in this document.

I²C Transactions

The UCD9080 can be configured and monitored via I²C memory-mapped registers. Registers that are configurable (can be written) via an I²C write operation are implemented using an I²C unidirectional data transfer, from the master to slave, with a stop bit between transactions

UCD9080

SLVS692A—SEPTEMBER 2006—REVISED DECEMBER 2006

I²C Unidirectional Transfer

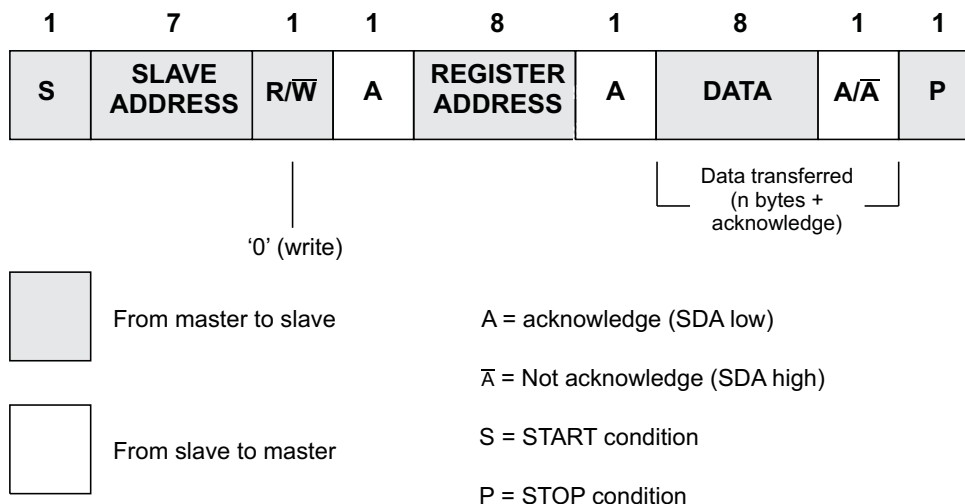


Figure 9. I²C Register Access With START/STOP

Registers that can be read are implemented using an I²C read operation, which uses the I²C combined format that changes data direction during the transaction. This transaction uses an I²C restart during the direction change.

I²C Combined Format

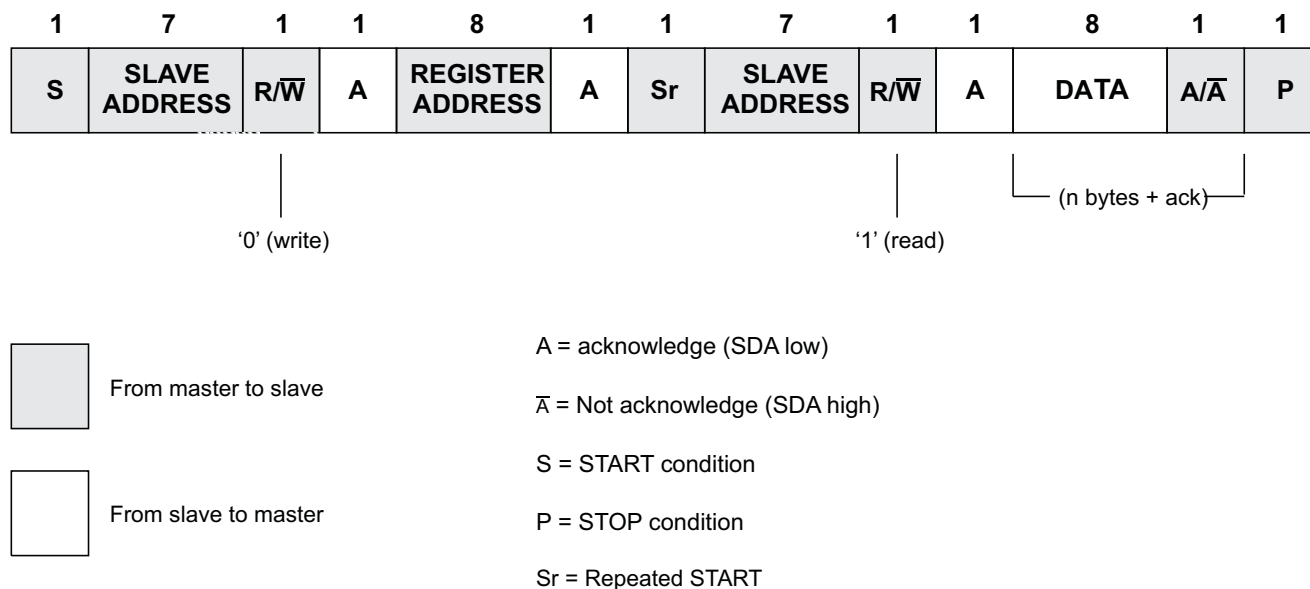


Figure 10. I²C Register Access with RESTART

The UCD9080 also supports a feature that auto-increments the register address pointer for increased efficiency when accessing sequential blocks of data. It is not necessary to issue separate I²C transactions..

CONFIGURING AND MONITORING THE UCD9080

The UCD9080 supports both configuration and monitoring using its I²C slave interface.

For monitoring of the sequencer, there is an I²C memory map that is used that allows an I²C host to perform memory mapped reads (and in some cases writes) that reports status information from the UCD9080. For instance, all rails can report their voltage through the I²C memory map. For information on which parameters are available via the I²C memory map, see the *Monitoring the UCD9080* section.

To change configuration parameters of the sequencer, a different mechanism is used. The entire set of configuration parameters must be written at one time to the device as one large transaction over the I²C interface. This ensures that the configuration of the device is consistent at any given time. The process for configuring the UCD9080 is described below in the section titled *Configuring the UCD9080* section.

MONITORING THE UCD9080

Register Map

The UCD9080 allows all monitoring of the system through the I²C interface on the device. The following is the memory map of the supported registers in the system. The detail of each of these registers is given in the next section as well.

Note that the UCD9080 supports functionality to automatically increment the I²C register address value when a register is being accessed, to more efficiently access blocks of like registers. The table below also shows the amount that the register address is incremented for each register access.

REGISTER NAME	ADDRESS	ACCESS	ADJUSTMENT AFTER ACCESS
RAIL1H	0x00	r	+1 (0x01)
RAIL1L	0x01	r	+1 (0x02)
RAIL2H	0x02	r	+1 (0x03)
RAIL2L	0x03	r	+1 (0x04)
RAIL3H	0x04	r	+1 (0x05)
RAIL3L	0x05	r	+1 (0x06)
RAIL4H	0x06	r	+1 (0x07)
RAIL4L	0x07	r	+1 (0x08)
RAIL5H	0x08	r	+1 (0x09)
RAIL5L	0x09	r	+1 (0x0A)
RAIL6H	0x0A	r	+1 (0x0B)
RAIL6L	0x0B	r	+1 (0x0C)
RAIL7H	0x0C	r	+1 (0x0D)
RAIL7L	0x0D	r	+1 (0x0E)
RAIL8H	0x0E	r	+1 (0x0F)
RAIL8L	0x0F	r	-15 (0x00)
ERROR1	0x20	r	+1 (0x21)
ERROR2	0x21	r	+1 (0x22)
ERROR3	0x22	r	+1 (0x23)
ERROR4	0x23	r	+1 (0x24)
ERROR5	0x24	r	+1 (0x25)
ERROR6	0x25	r	-5 (0x20)
STATUS	0x26	r	+0 (0x26)
RAILSTATUS1	0x28	r	+1 (0x29)
RAILSTATUS2	0x29	r	-1 (0x28)
FLASHLOCK	0x2E	rw	0 (0x2E)
RESTART	0x2F	w	+0 (0x2F)

UCD9080

SLVS692A–SEPTEMBER 2006–REVISED DECEMBER 2006

REGISTER NAME	ADDRESS	ACCESS	ADJUSTMENT AFTER ACCESS
WADDR1	0x30	rw	+1 (0x31)
WADDR2	0x31	rw	– 1 (0x30)
WDATA1	0x32	w	+1 (0x33)
WDATA2	0x33	w	–1 (0x32)

Register Descriptions

The following are the detailed descriptions of each of the UCD9080 I²C registers.

The register bit conventions below are used. Each register is shown with a key indicating the accessibility of each bit, and the initial condition after device initialization.

KEY	ACCESS
rw	Read/Write
r	Read only
r0	Read as 0
r1	Read as 1
w	Write only
w0	Write as 0
w1	Write as 1
rc	Read clears bit after read
rs	Read sets bit after read
–0, –1	Condition after initialization

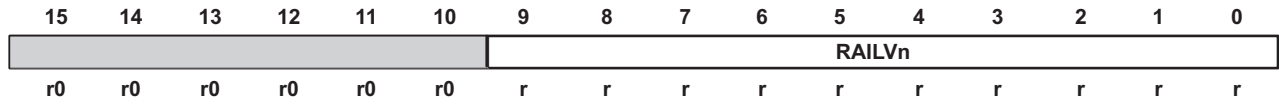
RAIL

Each of the 8 voltage rails that the UCD9080 supports has two registers that contains the rolling average voltage for the associated rail as measured by the device. This average voltage is maintained in real-time by the UCD9080 and is calculated as the output of a 4-TAP FIR filter. There are two registers for each voltage rail. One holds the least-significant 8 bits of the voltage and the other the most-significant 2 bits of the voltage. This is shown below.

Register Name	Address	Register Contents
RAIL1H	0x00	RAIL1 Voltage, bits 9:8
RAIL1L	0x01	RAIL1 Voltage, bits 7:0
RAIL2H	0x02	RAIL2 Voltage, bits 9:8
RAIL2L	0x03	RAIL2 Voltage, bits 7:0
RAIL3H	0x04	RAIL3 Voltage, bits 9:8
RAIL3L	0x05	RAIL3 Voltage, bits 7:0
RAIL4H	0x06	RAIL4 Voltage, bits 9:8
RAIL4L	0x07	RAIL4 Voltage, bits 7:0
RAIL5H	0x08	RAIL5 Voltage, bits 9:8
RAIL5L	0x09	RAIL5 Voltage, bits 7:0
RAIL6H	0x0A	RAIL6 Voltage, bits 9:8
RAIL6L	0x0B	RAIL6 Voltage, bits 7:0
RAIL7H	0x0C	RAIL7 Voltage, bits 9:8
RAIL7L	0x0D	RAIL7 Voltage, bits 7:0
RAIL8H	0x0E	RAIL8 Voltage, bits 9:8
RAIL8L	0x0F	RAIL8 Voltage, bits 7:0

A rail voltage is read with a 16b access. The auto-increment feature of the UCD9080 allows multiple rail voltages to be read with a single access.

A rail voltage is provided as a 10-bit binary value in an un-signed format, as shown below.



The following formulas can be used to calculate the actual measured rail voltage:

Without external voltage divider:

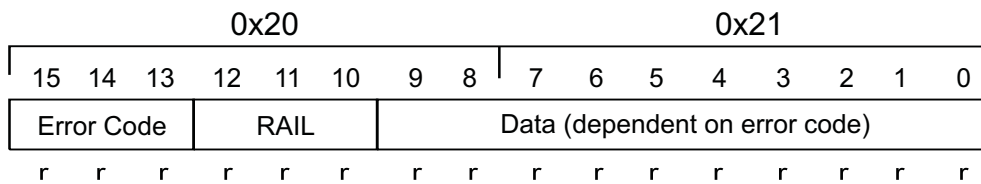
$$V_{RAILn} = \frac{RAILVn}{1024} \times V_{REF} \quad (1)$$

With external voltage divider:

$$V_{RAILn} = \frac{RAILVn}{1024} \times V_{REF} \times \frac{R_{PULLDOWN} + R_{PULLUP}}{R_{PULLDOWN}} \quad (2)$$

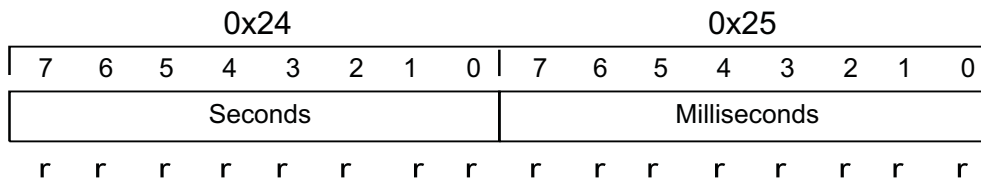
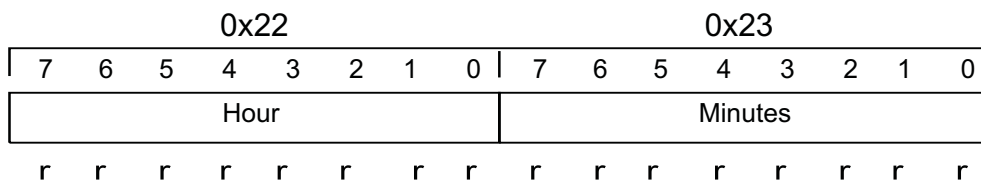
ERROR

Error conditions are logged by the UCD9080 and are accessible to the user via reading the ERROR registers. This is a 6-byte register and it has the following format:



RAIL: Rail #(n) - 1, RAIL = 0 through 7

Error Code	Meaning	Data
0 0 0	Null Alarm	0x0000
0 0 1	Supply did not start	Average voltage on Rail
0 1 0	Sustained overvoltage detected	Average voltage on Rail
0 1 1	Sustained undervoltage detected	Average voltage on Rail
1 0 0	Overvoltage glitch detected	Glitch voltage level on Rail
1 0 1	Undervoltage glitch detected	Glitch voltage level on Rail
1 1 0	Reserved	Reserved
1 1 1	Reserved	Reserved



UCD9080

SLVS692A–SEPTEMBER 2006–REVISED DECEMBER 2006

Error conditions encountered during processing will post error logs to this register. There are some exceptions. This register is internally managed as a FIFO where errors are posted to the FIFO as they occur and read out of the FIFO via I²C accesses. The FIFO is only posted to by the UCD9080 if it has room to write, due to the unknown latency of the system reading out of this FIFO. Note that there is no real-time impact to the processing of the UCD9080 if this FIFO is full and cannot be posted to.

The device time is reset by the following conditions:

1. Device Reset
2. A restart command issued to the device by the host via I²C.
3. A Resequance action is taken.

STATUS

The STATUS is an 8-bit read-only register. This register provides real-time status information about the state of the UCD9080. The following bits are defined.



IIC Error Meaning

0	No I2C PHY layer error
1	I2C PHY layer error

RAIL Error Meaning

0	No RAIL error pending
1	RAIL error pending

NVERRLOG Meaning

0	ERROR points to run-time logs
1	ERROR points to non-volatile logs

Register

Status	Meaning
00	No Error
01	Invalid Address
10	Read Access Error
11	Write Access Error

Reading of the STATUS register clears the register except for the NVERRLOG bit, which is maintained until the device is reset. Descriptions of the different errors are below.

The IICERROR bit is set when an I²C access fails. This is most often a case where the user has accessed an invalid address, or performed an illegal number of operations for a given register (for example, reading 3 bytes of a 2-byte register). In the event of an I²C error when the I2CERROR is set, bits 1:0 of the STATUS register further define the nature of the error as shown above.

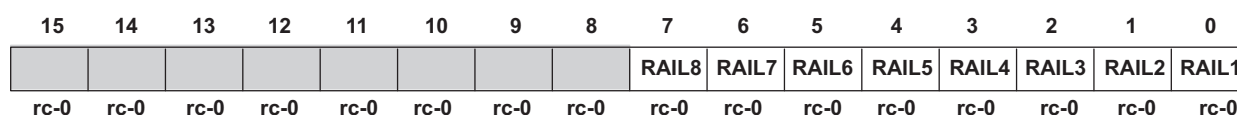
The RAIL error bit is set to alert the user to an issue with one of the voltage rails. When this bit is set, the user is advised to then query the RAILSTATUS register to further ascertain which RAIL input(s) have an issue. The user may then query the ERROR<n> registers to get further information about the nature of the error condition.

The NVERRLOG bit is set to 1 upon device initialization if the UCD9080 was restarted from a shutdown sequence of a RAIL declared as critical. The purpose of this bit is to allow the user to differentiate between stored error logs and real time error logs, and is useful for a post-mortem debug. Note that this bit is the only bit that is not automatically cleared by a read of the STATUS register; this bit is only cleared at device reset if the non-volatile error logs are empty.

When the IICERROR bit is set, the Register Status bits provide further information about the type of I²C error that has been detected, as indicated above.

RAILSTATUS

The RAILSTATUS1 and RAILSTATUS2 registers are two 8-bit read-only registers that provide a bit-mask that represent the error status of the rails as indicated in the diagram below.



RAILn Meaning

0 =>	No Alarm Pending for RAILn
1 =>	Alarm Pending for RAILn

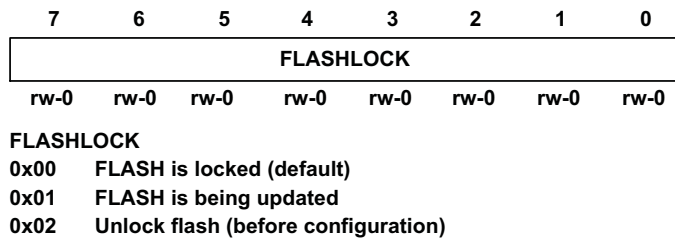
Bits 15:8 are RAILSTATUS1 and bits 7:0 are RAILSTATUS2. These are read as two 8-bit registers or as a single 16-bit register.

If a bit is set in these registers, then the ERROR register is read to further ascertain the specific error. Bits in the RAILSTATUS1 and RAILSTATUS2 registers are cleared when read.

FLASHLOCK

The FLASHLOCK I²C command is used to lock and unlock the configuration memory on the UCD9080 when updating the configuration. The section below (Configuring the UCD9080) details this process.

The format for the FLASHLOCK command is as follows:



RESTART

The RESTART register provides the capability for the I²C host to force a re-initialization and restart of the UCD9080. This is an 8-bit register and when written to with a 0, the UCD9080 is restarted and the rails are resequenced. This is useful for restarting the sequencer after the configuration for the system is changed. In order to properly restart the system, this register must be written to a 0.

Note that in order to respond to this I²C request properly, there is a 50-μs delay before the system is restarted, so that the I²C ACK can take place.

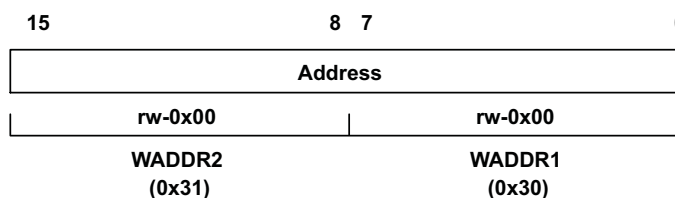
WADDR and WDATA

In order to update the configuration on the UCD9080, two primitive commands are provided in the I²C memory map, WADDR and WDATA (see NOTE). Each of these registers are 8-bits and there are two of each (e.g., WADDR1, WADDR2 and WDATA1, WDATA2) to be able to write addresses and data of up to 16b.

NOTE:

In addition to updating the WADDR and WDATA commands, users can use the FLASHLOCK command to perform configuration updates to the UCD9080.

The format for the WADDR command is as follows:

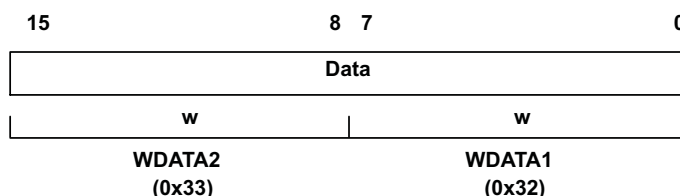


To set the address in the UCD9080 to write, write the LSB of the address to the WADDR1 register and the MSB of the address to the WADDR2 register. For example, to write the address 0x1234 to the device, set WADDR1 = 0x34 and WADDR2 = 0x12. Note that since these addresses support the auto-increment feature, the user can perform a single 16b write to WADDR1 to write the entire address.

UCD9080

SLVS692A–SEPTEMBER 2006–REVISED DECEMBER 2006

The format for the WDATA command is as follows:



To set the data in the UCD9080 to write, write the LSB of the data to the WDATA1 register and the MSB of the data to the WDATA2 register. For example, to write the data 0xBEEF to the device, set WDATA1 = 0xEF and WDATA2 = 0xBE. Note that since these addresses support the auto-increment feature, the user can perform a single 16b write to WDATA1 to write the entire data.

These two commands are used for updating the UCD9080 configuration, explained in the next section (Configuring the UCD9080).

RESETTING THE FLASH ERROR LOGS

The UCD9080 can be configured to log critical errors on a voltage rail to flash. This can be configured via the *SaveRailLog* register, described later in this document. If the *SaveRailLog* bit is set for a voltage rail and an error is detected on that voltage rail, then the error logs for that rail are written to flash memory instead of operating memory. This mechanism permits the error logs to be read after the device has been reset and operating memory cleared.

Once the system is in the state where the error logs are pointing to flash, the NVERRLOG bit in the STATUS register is set to a 1 when it is read from the I²C interface. To clear this condition, take the following steps:

- Write FLASHLOCK register to a value of 0x02
- Write WADDR register to a value of 0x1000
- Write WDATA register to a value of 0xBADC
- Write WADDR register to a value of 0x107E
- Write WDATA register to a value of 0xBADC
- Write FLASHLOCK register to a value of 0x00
- Write RESTART register to a value of 0x00

This points the error logs back to operating memory, and restarts the sequencer.

CONFIGURING THE UCD9080

The UCD9080 has many different configurable parameters such as sequencing policies, shutdown policies and dependency masks. The UCD9080 can configure all of its parameters via the I²C interface while the device is operational; however sequencing, shutdown and rail monitoring is not performed during this time.

The configuration information can not be read from the device.

NOTE:

During runtime, if the UCD9080 is configured, there is a delay in voltage monitoring while the new configuration parameters are applied to the device.

To configure the UCD9080, a large block of configuration information is sent to the device via the I²C interface. This block is 512 bytes and contains all the configuration information that the device requires for any function of the UCD9080.

This 512 byte block of configuration information is sent to the device in multiple segments. The segment size can range from 2 to 32 bytes at one time, and must be a multiple of 2 bytes. That is, a master can send 256 2-byte segments or 32 16-byte segments, and so on. All the segments must be sent back-to-back in the proper sequence and this operation must be completed by sending the last segment so that the last byte of the 512 byte block is written. If this is not done, the UCD9080 is in an unknown state and does not function as designed.

CONFIGURING THE UCD9080 (continued)

The process for sending the configuration information to the UCD9080 is as shown in Figure 11:

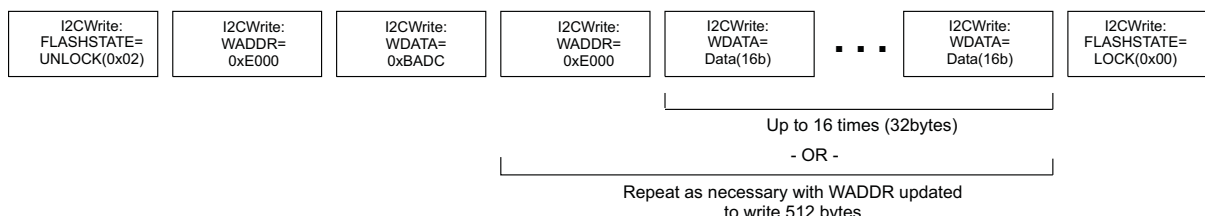


Figure 11. Configuration Information

As shown in Figure 11, the process for updating the configuration of the UCD9080 is as follows:

1. Unlock flash memory by sending the UNLOCK command (FLASHSTATE = 0x02)
2. Write the address of the configuration section of memory (WADDR = 0xE000)
3. Write the constant 0xBADC to update memory (WDATA = 0xBADC)
4. Write the address of the configuration section of memory again (WADDR = 0xE000)
5. Write the data (WDATA = <varies>). Repeat steps 4 and 5 as necessary, depending on the data segment size used to write 512 bytes. Increment the address as necessary.
6. Lock flash memory after the last byte of the last segment is written (FLASHSTATE = 0x00)

At the conclusion of this process, the configuration of the UCD9080 is updated with the configuration changes, as represented by the values from the data segments. The sequencer can then be reset using the RESTART I²C command, and then the application restarts.

The memory map for the 512 byte configuration segment is defined in the section below.

Configuration Parameters Memory Map

Table 1 shows the 512 byte configuration parameters memory map. Each of the fields at each of the addresses in this memory map either represents a configuration parameter for the UCD9080 that is changed by changing its value, or it must be hard-coded to the given literal value.

Table 1. Configuration Parameters Memory Map

ADDRESS	+0	+1	+2	+3	+4	+5	+6	+7
0xE000	0x00	0x00	0x00	0x00	0x00	0x00	0x00	0x00
0xE008	0x00	0x00	0x00	0x00	0x00	0x00	0x00	0x00
0xE010	0x00	0x00	0x00	0x00	0x00	0x00	0x00	0x00
0xE018	0x00	0x00	0x00	0x00	0x00	0x00	0x00	0x00
0xE020	0x00	0x00	0x00	0x00	0x00	0x00	0x00	0x00
0xE028	0x00	0x00	0x00	0x00	0x00	0x00	0x00	0x00
0xE030	0x00	0x00	0x00	0x00	0x00	0x00	0x00	0x00
0xE038	0x00	0x00	0x00	0x00	0x00	0x00	0x00	0x00
0xE040	0x00	0x00	0x00	0x00	0x00	0x00	0x00	0x00
0xE048	0x00	0x00	0x00	0x00	0x00	0x00	0x00	0x00
0xE050	0x00	0x00	0x00	0x00	0x00	0x00	0x00	0x00
0xE058	0xFF	0x00	0x00	0x00	0x00	0x00	0xC0	0x02
0xE060	0x00	0x00	0x00	0xF0	0x01	0x02	0x00	0x02
0xE068	0x7F	0x0E	0x00	0x50	0x00	0x00	0x00	0x00
0xE070	0x00	0x00	0xC0	0x20	0x00	0x00	0x00	0x00
0xE078	0x00	0x00	0x00	0x00	0x00	0xA8	0xDC	0xBA
0xE080	SequenceEventParameters							
0xE088	SequenceEventParameters (continued)				SequenceEventLink			

CONFIGURING THE UCD9080 (continued)
Table 1. Configuration Parameters Memory Map (continued)

ADDRESS	+0	+1	+2	+3	+4	+5	+6	+7
0xE090	SequenceEventLink (continued)							
0xE098	SequenceEventData							
0xE0A0								
0xE0A8								
0xE0B0	0xFF	0x7F	0xFF	0x7F	0xFF	0x7F	0xFF	0x7F
0xE0B8	0xFF	0x7F	0xFF	0x7F	0xFF	0x7F	0xFF	0x7F
0xE0C0	0x00	0x00	0x00	0x00	0x00	0x00	0x00	0x00
0xE0C8	0x00	0x00	0x00	0x00	0x00	0x00	0x00	0x00
0xE0D0	0x00	0x00	0x00	0x00	0x00	0x00	0x00	0x00
0xE0D8	0x00	0x00	0x00	0x00	0x00	0x00	0x00	0x00
0xE0E0	0x00	0x00	0x00	0x00	0x00	0x00	0x00	0x00
0xE0E8	0x00	0x00	0x00	0x00	0x00	0x00	0x00	0x00
0xE0F0	0x00	0x00	0x00	0x00	0x00	0x00	0x00	0x00
0xE0F8	0x00	0x00	0x00	0x00	0x00	0x00	0x00	0x00
0xE100	DependencyMasks							
0xE108								
0xE110	UnderVoltageThresholds							
0xE118								
0xE120	OverVoltageThresholds							
0xE128								
0xE130	RampTime							
0xE138								
0xE140	OutOfRegulationWidth							
0xE148								
0xE150	UnsequenceTime							
0xE158								
0xE160								
0xE168	EnablePolarity							
0xE170								
0xE178								
0xE180	SaveRailLog		0xF9	0x00	0x94	0x02	ReferenceSelect	
0xE188	0x10	0x07	0x05	0xC0	0x32	0x00	LastUnusedSeq	
0xE190	0x00	0x00	0x00	0x00	0x00	0x00	0x00	0x00
0xE198	0x00	0x00	0x00	0x00	0x00	0x00	0x00	0x00
0xE1A0	0x00	0x00	0x00	0x00	0x00	0x00	0x00	0x00
0xE1A8	0x00	0x00	0x00	0x00	0x00	0x00	0x00	0x00
0xE1B0	0x00	0x00	0x00	0x00	0x00	0x00	0x00	0x00
0xE1B8	0x00	0x00	0x00	0x00	0x00	0x00	0x00	0x00
0xE1C0	0x00	0x00	0x00	0x00	0x00	0x00	0x00	0x00
0xE1C8	0x00	0x00	0x00	0x00	0x00	0x00	0x00	0x00
0xE1D0	0x00	0x00	0x00	0x00	0x00	0x00	0x00	0x00
0xE1D8	0x00	0x00	0x00	0x00	0x00	0x00	0x00	0x00
0xE1E0	0x00	0x00	0x00	0x00	0x00	0x00	0x00	0x00
0xE1E8	0x00	0x00	0x00	0x00	0x00	0x00	0x00	0x00
0xE1F0	0x00	0x00	0x00	0x00	0x00	0x00	0x00	0x00
0xE1F8	0x00	0x00	0x00	0x00	0x00	0x00	0x00	0x00

CONFIGURATION PARAMETERS DETAIL

The following section details the format and meaning of the configuration parameters from the configuration parameters memory map (Table 1).

SequenceEventParameters

The SequenceEventParameters field in the configuration parameters specifies the rail identification, monitoring status and sequencing options for each rail. The address map for all these registers is as follows:

ADDRESS	SIZE	DEFAULT VALUE	DESCRIPTION
0xE080	1	0x50	Rail 1 identification, monitoring status and sequencing options.
0xE081	1	0x51	Rail 2 identification, monitoring status and sequencing options.
0xE082	1	0x52	Rail 3 identification, monitoring status and sequencing options.
0xE083	1	0x53	Rail 4 identification, monitoring status and sequencing options.
0xE084	1	0x54	Rail 5 identification, monitoring status and sequencing options.
0xE085	1	0x55	Rail 6 identification, monitoring status and sequencing options.
0xE086	1	0x56	Rail 7 identification, monitoring status and sequencing options.
0xE087	1	0x07	Rail 8 identification, monitoring status and sequencing options.
0xE088	1	0x08	GPO1 identification, sequencing options.
0xE089	1	0x49	GPO2 identification, sequencing options.
0xE08A	1	0x4A	GPO3 identification, sequencing options.
0xE08B	1	0x4B	GPO4 identification, sequencing options.

The format of each register is as follows:

7	6	5	4	3	2	1	0
ENABLE	0	MON	RAIL/GPO				

RAIL

Rail #(n) - 1, RAIL = 0 through 7

GPO

GPO # (n) + 7, GPO = 8, 9, 0xA, 0xB

MON

Meaning

- 0 Do not monitor rail status (for event sequencing of GPOs)
- 1 Monitor rail status

ENABLE

Meaning

- 00 Sequence is disabled
- 01 Sequence is triggered after delay after sequence event
- 10 Sequence is triggered after parent rails achieves voltage level
- 11 Sequence is triggered after delay after parent rail achieves voltage regulation

UCD9080

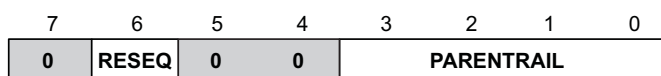
SLVS692A–SEPTEMBER 2006–REVISED DECEMBER 2006

SequenceEventLink

The SequenceEventLink field in the configuration parameters specifies each rail's parent rail as well as whether or not to sequence it after shutdown. The address map for all these registers is as follows:

ADDRESS	SIZE	DEFAULT VALUE	DESCRIPTION
0xE08C	1	0x01	Rail 1 parent identifier and resequence indicator.
0xE08D	1	0x00	Rail 2 parent identifier and resequence indicator.
0xE08E	1	0x01	Rail 3 parent identifier and resequence indicator.
0xE08F	1	0x04	Rail 4 parent identifier and resequence indicator.
0xE090	1	0x01	Rail 5 parent identifier and resequence indicator.
0xE091	1	0x04	Rail 6 parent identifier and resequence indicator.
0xE092	1	0x05	Rail 7 parent identifier and resequence indicator.
0xE093	1	0x06	Rail 8 parent identifier and resequence indicator.
0xE094	1	0x00	GPO1 parent rail identifier and resequence indicator.
0xE095	1	0x00	GPO2 parent rail identifier and resequence indicator.
0xE096	1	0x00	GPO3 parent rail identifier and resequence indicator.
0xE097	1	0x00	GPO4 parent rail identifier and resequence indicator.

The format of each register is as follows:



RESEQ	Meaning
0	Do not resequence after shutdown
1	Resequence after shutdown

PARENTAIL	Meaning
0x0000	Sequence is dependent on RAIL1 achieving the specified event
0x0001	Sequence is dependent on RAIL2 achieving the specified event
0x0010	Sequence is dependent on RAIL3 achieving the specified event
0x0011	Sequence is dependent on RAIL4 achieving the specified event
0x0100	Sequence is dependent on RAIL5 achieving the specified event
0x0101	Sequence is dependent on RAIL6 achieving the specified event
0x0110	Sequence is dependent on RAIL7 achieving the specified event
0x0111	Sequence is dependent on RAIL8 achieving the specified event

SequenceEventData

The SequenceEventData field in the configuration parameters specifies each rail's sequencing parameters. The address map for all these registers is as follows:

ADDRESS	SIZE	DEFAULT VALUE	DESCRIPTION
0xE098	2	0xE005	Rail 1 sequencing and shutdown parameters.
0xE09A	2	0xA005	Rail 2 sequencing and shutdown parameters.
0xE09C	2	0xE032	Rail 3 sequencing and shutdown parameters.
0xE09E	2	0xE033	Rail 4 sequencing and shutdown parameters.
0xE0A0	2	0xE033	Rail 5 sequencing and shutdown parameters.
0xE0A2	2	0xE035	Rail 6 sequencing and shutdown parameters.
0xE0A4	2	0xE035	Rail 7 sequencing and shutdown parameters.
0xE0A6	2	0x0000	Rail 8 sequencing and shutdown parameters.
0xE0A8	2	0x0000	GPO1 sequencing and shutdown parameters.
0xE0AA	2	0x0000	GPO2 sequencing and shutdown parameters.
0xE0AC	2	0x0000	GPO3 sequencing and shutdown parameters.
0xE0AE	2	0x0000	GPO4 sequencing and shutdown parameters.

The format for each register is as follows:



SEQPARAM	Meaning	RAILDATA	Meaning
000	Ignore		ENABLE in SequenceEventParameters register
001	Resequene after shutdown	01	Delay (ms)
010	Retry 4 times	10	Volatge (V)
011	Retry 3 times	11	Delay (mS)
100	Retry 2 times		
101	Retry 1 time		
110	Shutdown		
111	Retry forever		

UCD9080

SLVS692A–SEPTEMBER 2006–REVISED DECEMBER 2006

DependencyMasks

The DependencyMasks field in the configuration parameters specifies each rail's dependency masks which are used for rail shutdown. This mask represents the set of other rails and GPOs that should be shutdown when this rail shuts down. Note that since only rails are monitored, this table only has entries for rails that are shutdown. In the dependency mask itself, there are bits that allow for the shutting down of a GPO.

The address map for all these registers is as follows:

ADDRESS	SIZE	DEFAULT VALUE	DESCRIPTION
0xE100	2	0x007F	Dependency mask for rail 1.
0xE102	2	0x0001	Dependency mask for rail 2.
0xE104	2	0x0002	Dependency mask for rail 3.
0xE106	2	0x0004	Dependency mask for rail 4.
0xE108	2	0x0008	Dependency mask for rail 5.
0xE10A	2	0x0010	Dependency mask for rail 6.
0xE10C	2	0x0020	Dependency mask for rail 7.
0xE10E	2	0x0040	Dependency mask for rail 8.

The format for each register is as follows:

15	14	13	12	11	10	9	8	7	6	5	4	3	2	1	0
0	0	0	0	GPO4	GPO3	GPO2	GPO1	RAIL8	RAIL7	RAIL6	RAIL5	RAIL4	RAIL3	RAIL2	RAIL1

RAILn or GPOn	Meaning
0	Shutdown of this rail will not shutdown RAILn or GPOn
1	Shutdown of this rail will shutdown RAILn or GPOn

UnderVoltageThresholds

The UnderVoltageThresholds field in the configuration parameters specifies each rail's undervoltage thresholds that are used when monitoring this rail. The address map for all these registers is as follows:

ADDRESS	SIZE	DEFAULT VALUE	DESCRIPTION
0xE110	2	0x0000	Undervoltage threshold for rail 8.
0xE112	2	0x0000	Undervoltage threshold for rail 7.
0xE114	2	0x0000	Undervoltage threshold for rail 6.
0xE116	2	0x0000	Undervoltage threshold for rail 5.
0xE118	2	0x0000	Undervoltage threshold for rail 4.
0xE11A	2	0x0000	Undervoltage threshold for rail 3.
0xE11C	2	0x0000	Undervoltage threshold for rail 2.
0xE11E	2	0x0000	Undervoltage threshold for rail 1.

The format for each register is as follows:

15	14	13	12	11	10	9	8	7	6	5	4	3	2	1	0
0	0	0	0	0	Vraw										

The voltage conversion is dependent upon the configured voltage reference and the pull-up and pull-down resistors used on the board for each rail. The voltage reference is selected as either 2.5 V (internal) or 3.3 V (external via V_{CC}). The formula to convert the desired Rail's UnderVoltageThreshold to V_{raw} follows:

Without external rail voltage divider:

$$V_{raw} = \frac{1024 \times V_{RAILUV}}{V_{REF}} \quad (3)$$

With external rail voltage divider:

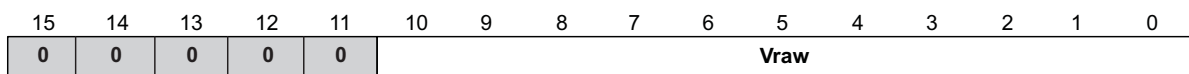
$$V_{raw} = \frac{1024 \times V_{RAILUV}}{V_{REF}} \times \frac{R_{PULLDOWN}}{R_{PULLDOWN} + R_{PULLUP}} \quad (4)$$

OverVoltageThresholds

The OverVoltageThresholds field in the configuration parameters specifies each rail's over voltage thresholds that are used when monitoring this rail. The address map for all these registers is as follows:

ADDRESS	SIZE	DEFAULT VALUE	DESCRIPTION
0xE120	2	0x0400	Overvoltage threshold for rail 8.
0xE122	2	0x0400	Overvoltage threshold for rail 7.
0xE124	2	0x0400	Overvoltage threshold for rail 6.
0xE126	2	0x0400	Overvoltage threshold for rail 5.
0xE128	2	0x0400	Overvoltage threshold for rail 4.
0xE12A	2	0x0400	Overvoltage threshold for rail 3.
0xE12C	2	0x0400	Overvoltage threshold for rail 2.
0xE12E	2	0x0400	Overvoltage threshold for rail 1.

The format for each register is as follows:



The voltage conversion is dependent upon the configured voltage reference and the pull-up and pull-down resistors used on the board for each rail. The voltage reference is selected as either 2.5 V (internal) or 3.3 V (external via V_{CC}). The formula to convert the desired Rail's OverVoltageThreshold to V_{raw} follows:

Without external rail voltage divider:

$$V_{raw} = \frac{1024 \times V_{RAILOV}}{V_{REF}} \quad (5)$$

With external voltage divider:

$$V_{raw} = \frac{1024 \times V_{RAILOV}}{V_{REF}} \times \frac{R_{PULLDOWN}}{R_{PULLDOWN} + R_{PULLUP}} \quad (6)$$

RampTime

The RampTime field in the configuration parameters specifies the maximum amount of time for each rail to achieve regulation. The address map for all these registers is as follows:

ADDRESS	SIZE	DEFAULT VALUE	DESCRIPTION
0xE130	2	0x0FA0	Maximum voltage ramp time for rail 1.
0xE132	2	0x0FA0	Maximum voltage ramp time for rail 2.
0xE134	2	0x0FA0	Maximum voltage ramp time for rail 3.
0xE136	2	0x0FA0	Maximum voltage ramp time for rail 4.
0xE138	2	0x0FA0	Maximum voltage ramp time for rail 5.
0xE13A	2	0x0FA0	Maximum voltage ramp time for rail 6.
0xE13C	2	0x0FA0	Maximum voltage ramp time for rail 7.
0xE13E	2	0x0FA0	Maximum voltage ramp time for rail 8.

The 16b value of this register is the number of milliseconds that this rail has to achieve regulation without an error.

UCD9080

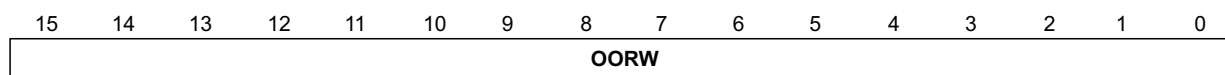
SLVS692A–SEPTEMBER 2006–REVISED DECEMBER 2006

OutOfRegulation Width

The OutOfRegulationWidth field in the configuration parameters specifies the maximum amount of time that the rail is allowed to be out of regulation before an error is declared (glitch width). The address map for all these registers is as follows:

ADDRESS	SIZE	DEFAULT VALUE	DESCRIPTION
0xE140	2	0x0010	The out of regulation width permissible without flagging error for Rail 1.
0xE142	2	0x0010	The out of regulation width permissible without flagging error for Rail 2.
0xE144	2	0x0010	The out of regulation width permissible without flagging error for Rail 3.
0xE146	2	0x0010	The out of regulation width permissible without flagging error for Rail 4.
0xE148	2	0x0010	The out of regulation width permissible without flagging error for Rail 5.
0xE14A	2	0x0010	The out of regulation width permissible without flagging error for Rail 6.
0xE14C	2	0x0010	The out of regulation width permissible without flagging error for Rail 7.
0xE14E	2	0x0010	The out of regulation width permissible without flagging error for Rail 8.

The contents of this register are as follows:



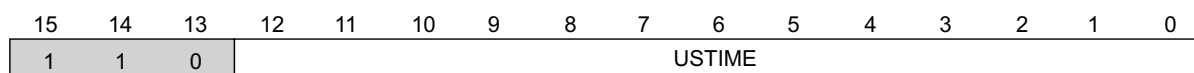
OORW= RAILn Out of regulation glitch width (in units of 1/10 mS)

UnsequenceTime

The UnsequenceTime field in the configuration parameters specifies the amount of time that each rail should delay before unsequencing. The address map for all these registers is as follows:

ADDRESS	SIZE	DEFAULT VALUE	DESCRIPTION
0xE150	2	0xC0FF	Unsequence delay for Rail 1.
0xE152	2	0xC1FF	Unsequence delay for Rail 2.
0xE154	2	0xC2FF	Unsequence delay for Rail 3.
0xE156	2	0xC3FF	Unsequence delay for Rail 4.
0xE158	2	0xC4FF	Unsequence delay for Rail 5.
0xE15A	2	0xC5FF	Unsequence delay for Rail 6.
0xE15C	2	0xC6FF	Unsequence delay for Rail 7.
0xE15E	2	0xC7FF	Unsequence delay for Rail 8.
0xE160	2	0xC000	Unsequence delay for GPO1.
0xE162	2	0xC000	Unsequence delay for GPO2.
0xE164	2	0xC000	Unsequence delay for GPO3.
0xE166	2	0xC000	Unsequence delay for GPO4.

The contents of this register are as follows:



USTIME = RAILn UnsequenceTime (in units of mS).

EnablePolarity

The EnablePolarity field in the configuration parameters specifies whether each power supply enable or GPO is to be configured active high or active low.. The address map for all these registers is as follows:

ADDRESS	SIZE	DEFAULT VALUE	DESCRIPTION
0xE168	2	0x2004	Polarity for Rail 1 enable.
0xE16A	2	0x2008	Polarity for Rail 2 enable.
0xE16C	2	0x1804	Polarity for Rail 3 enable.
0xE16E	2	0x1802	Polarity for Rail 4 enable.
0xE170	2	0x1808	Polarity for Rail 5 enable.
0xE172	2	0x1810	Polarity for Rail 6 enable.
0xE174	2	0x1820	Polarity for Rail 7 enable.
0xE176	2	0x2010	Polarity for Rail 8 enable.
0xE178	2	0x1800	Polarity for GPO1.
0xE17A	2	0x2020	Polarity for GPO2.
0xE17C	2	0x2040	Polarity for GPO3.
0xE17E	2	0x2080	Polarity for GPO4.

The contents of this register are as follows:

15	14	13	12	11	10	9	8	7	6	5	4	3	2	1	0
POL	DEFAULT VALUES as specified above														

POL	Meaning
0	Railn enable or GPOn is active low
1	Railn enable or GPOn is active high

SaveRailLog

The SaveRailLog field in the configuration parameters specifies whether each rail is marked to write the error log to flash upon rail failure. If the rail is marked this way, then a shutdown of this rail is logged into non-volatile memory.

The contents of this register are as follows:

15	14	13	12	11	10	9	8	7	6	5	4	3	2	1	0
0	0	0	0	0	0	0	0	RAIL8	RAIL7	RAIL6	RAIL5	RAIL4	RAIL3	RAIL2	RAIL1

RAILn	Meaning
0	Shutdown of this rail will not log this event.
1	Shutdown of this rail will log this event.

The default value for this register is 0x0000.

UCD9080

SLVS692A–SEPTEMBER 2006–REVISED DECEMBER 2006

ReferenceSelect

The ReferenceSelect field in the configuration parameters specifies which voltage reference is used on the UCD9080. The selected reference can be internal (2.5-V), or external via V_{CC} (3.3 V). The contents of this register are as follows:

15	14	13	12	11	10	9	8	7	6	5	4	3	2	1	0
SELREF			0x8F2												

SELREF	Meaning
000	External Reference Selected (V_{CC}).
001	Internal Reference Selected (2.5 V).

The default value for this register is 0x8F2, which selects the external reference.

LastUnusedSeq

The LastUnusedSeq field in the configuration parameters specifies the amount of time for the last rail to be shutdown without creating an error.

15	14	13	12	11	10	9	8	7	6	5	4	3	2	1	0
LUTIME															

$$\text{LUTIME} = \text{Maximum value USTIME} + 255 \text{ (in units of mS)}$$

The default value for this register is 0x08FF.

APPLICATION INFORMATION

Typical Application Diagram

Figure 12 illustrates a typical power supply sequencing configuration. Power Supply 1 and Power Supply X require active low enables while Power Supply 2 and Power Supply 3 require active high enables. V_{OUT1} and V_{OUT3} exceed the selected A/D reference voltage so their outputs are divided before being sampled by the MON1 and MON3 inputs. V_{OUT2} and V_{OUTX} are within the selected A/D reference voltage so their outputs can be sampled directly by the MON2 and MON7 inputs. Figure 12 illustrates the use of the GPO digital output pins to provide status and power on reset to other system devices.

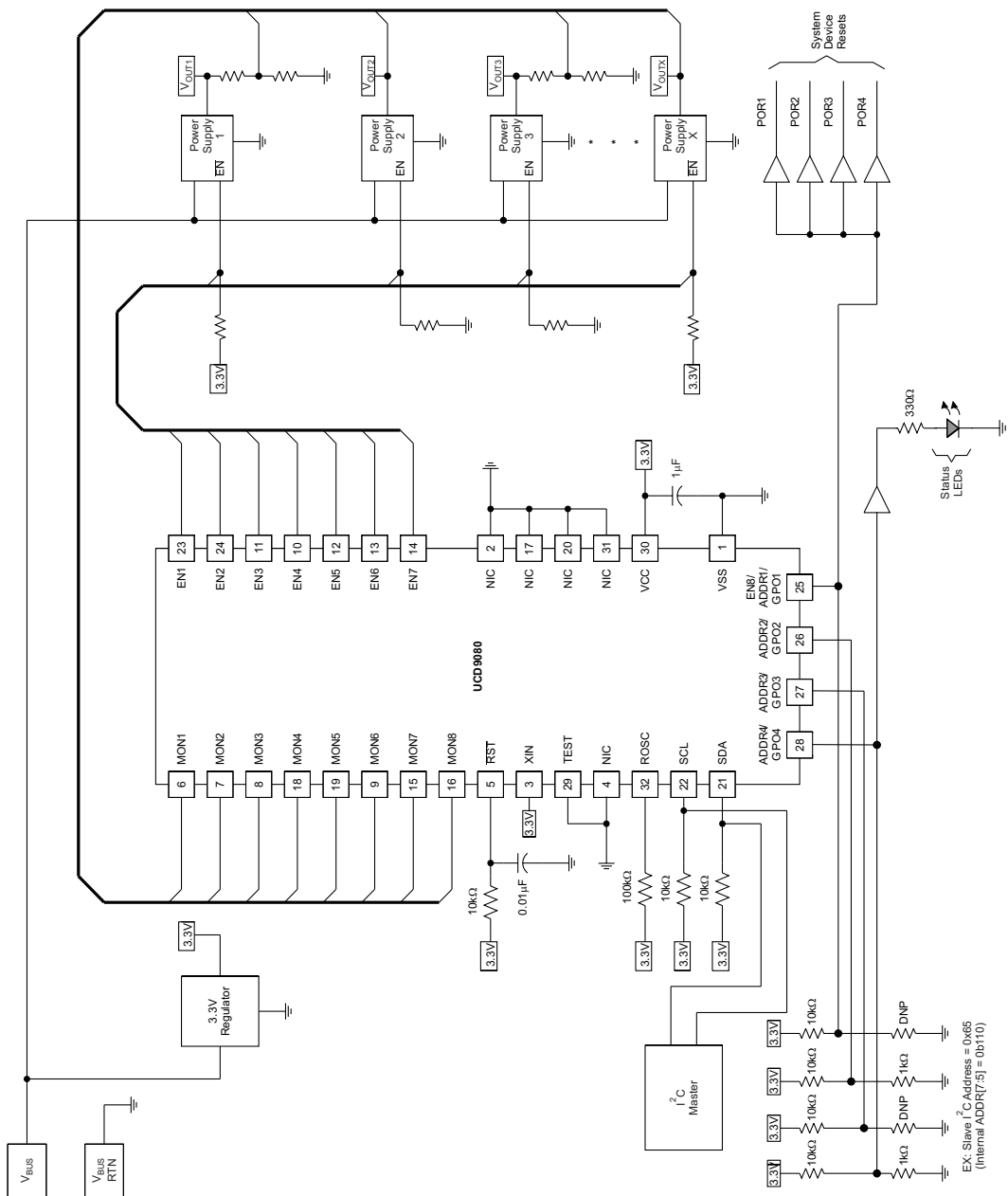


Figure 12. Typical Power Supply Sequencing Application

PRODUCT PREVIEW

PACKAGING INFORMATION

Orderable Device	Status ⁽¹⁾	Package Type	Package Drawing	Pins	Package Qty	Eco Plan ⁽²⁾	Lead/Ball Finish	MSL Peak Temp ⁽³⁾
UCD9080RHBR	PREVIEW	QFN	RHB	32	3000	TBD	Call TI	Call TI
UCD9080RHBT	PREVIEW	QFN	RHB	32	250	TBD	Call TI	Call TI

⁽¹⁾ The marketing status values are defined as follows:

ACTIVE: Product device recommended for new designs.

LIFEBUY: TI has announced that the device will be discontinued, and a lifetime-buy period is in effect.

NRND: Not recommended for new designs. Device is in production to support existing customers, but TI does not recommend using this part in a new design.

PREVIEW: Device has been announced but is not in production. Samples may or may not be available.

OBSOLETE: TI has discontinued the production of the device.

⁽²⁾ Eco Plan - The planned eco-friendly classification: Pb-Free (RoHS), Pb-Free (RoHS Exempt), or Green (RoHS & no Sb/Br) - please check <http://www.ti.com/productcontent> for the latest availability information and additional product content details.

TBD: The Pb-Free/Green conversion plan has not been defined.

Pb-Free (RoHS): TI's terms "Lead-Free" or "Pb-Free" mean semiconductor products that are compatible with the current RoHS requirements for all 6 substances, including the requirement that lead not exceed 0.1% by weight in homogeneous materials. Where designed to be soldered at high temperatures, TI Pb-Free products are suitable for use in specified lead-free processes.

Pb-Free (RoHS Exempt): This component has a RoHS exemption for either 1) lead-based flip-chip solder bumps used between the die and package, or 2) lead-based die adhesive used between the die and leadframe. The component is otherwise considered Pb-Free (RoHS compatible) as defined above.

Green (RoHS & no Sb/Br): TI defines "Green" to mean Pb-Free (RoHS compatible), and free of Bromine (Br) and Antimony (Sb) based flame retardants (Br or Sb do not exceed 0.1% by weight in homogeneous material)

⁽³⁾ MSL, Peak Temp. -- The Moisture Sensitivity Level rating according to the JEDEC industry standard classifications, and peak solder temperature.

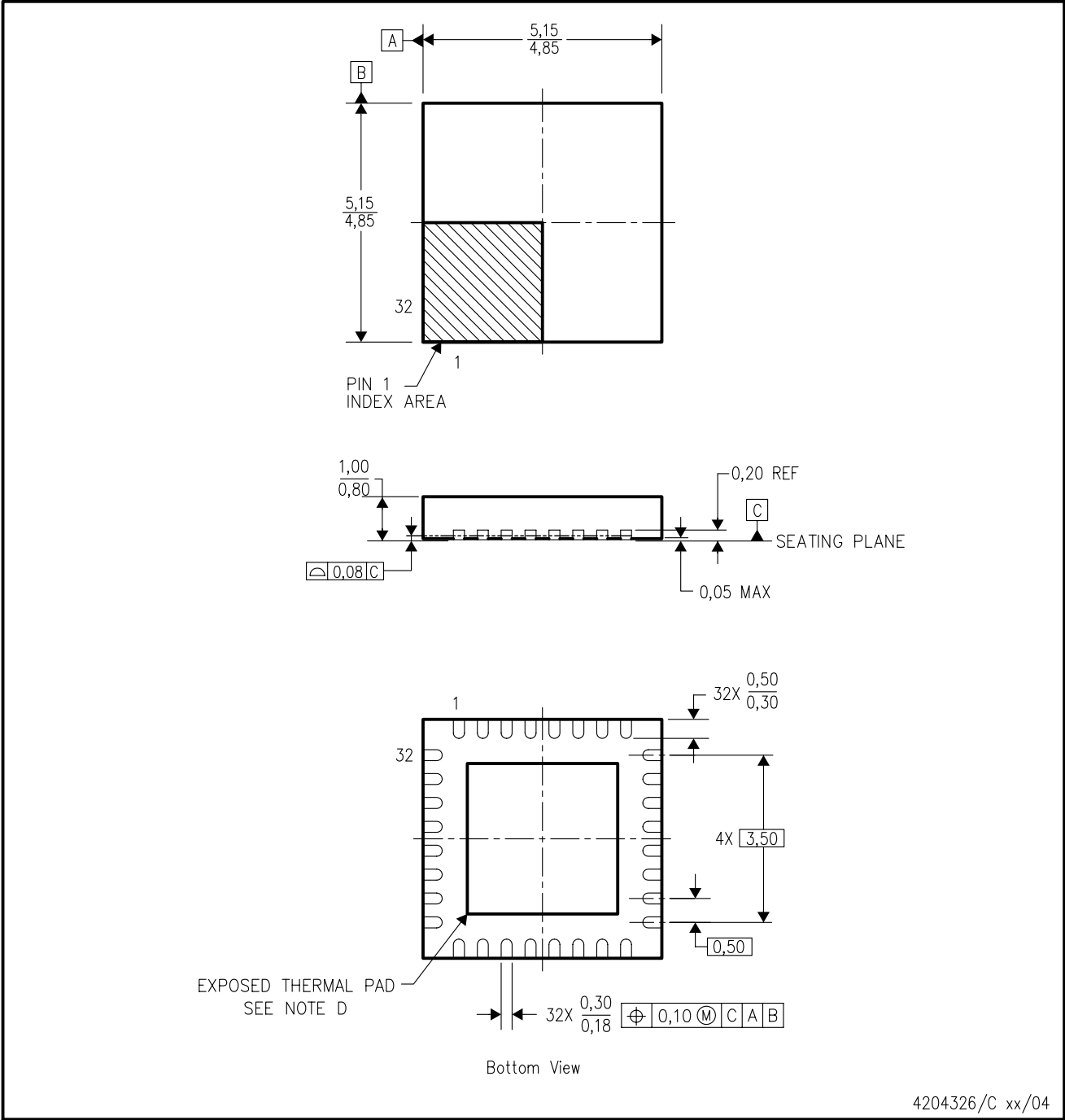
Important Information and Disclaimer:The information provided on this page represents TI's knowledge and belief as of the date that it is provided. TI bases its knowledge and belief on information provided by third parties, and makes no representation or warranty as to the accuracy of such information. Efforts are underway to better integrate information from third parties. TI has taken and continues to take reasonable steps to provide representative and accurate information but may not have conducted destructive testing or chemical analysis on incoming materials and chemicals. TI and TI suppliers consider certain information to be proprietary, and thus CAS numbers and other limited information may not be available for release.

In no event shall TI's liability arising out of such information exceed the total purchase price of the TI part(s) at issue in this document sold by TI to Customer on an annual basis.

MECHANICAL DATA

RHB (S-PQFP-N32)

PLASTIC QUAD FLATPACK



4204326/C xx/04

- NOTES:
- A. All linear dimensions are in millimeters.
 - B. This drawing is subject to change without notice.
 - C. QFN (Quad Flatpack No-Lead) Package configuration.
 - D. The Package thermal pad must be soldered to the board for thermal and mechanical performance. See product data sheet for details regarding the exposed thermal pad dimensions.
 - E. Falls within JEDEC MO-220.

IMPORTANT NOTICE

Texas Instruments Incorporated and its subsidiaries (TI) reserve the right to make corrections, modifications, enhancements, improvements, and other changes to its products and services at any time and to discontinue any product or service without notice. Customers should obtain the latest relevant information before placing orders and should verify that such information is current and complete. All products are sold subject to TI's terms and conditions of sale supplied at the time of order acknowledgment.

TI warrants performance of its hardware products to the specifications applicable at the time of sale in accordance with TI's standard warranty. Testing and other quality control techniques are used to the extent TI deems necessary to support this warranty. Except where mandated by government requirements, testing of all parameters of each product is not necessarily performed.

TI assumes no liability for applications assistance or customer product design. Customers are responsible for their products and applications using TI components. To minimize the risks associated with customer products and applications, customers should provide adequate design and operating safeguards.

TI does not warrant or represent that any license, either express or implied, is granted under any TI patent right, copyright, mask work right, or other TI intellectual property right relating to any combination, machine, or process in which TI products or services are used. Information published by TI regarding third-party products or services does not constitute a license from TI to use such products or services or a warranty or endorsement thereof. Use of such information may require a license from a third party under the patents or other intellectual property of the third party, or a license from TI under the patents or other intellectual property of TI.

Reproduction of information in TI data books or data sheets is permissible only if reproduction is without alteration and is accompanied by all associated warranties, conditions, limitations, and notices. Reproduction of this information with alteration is an unfair and deceptive business practice. TI is not responsible or liable for such altered documentation.

Resale of TI products or services with statements different from or beyond the parameters stated by TI for that product or service voids all express and any implied warranties for the associated TI product or service and is an unfair and deceptive business practice. TI is not responsible or liable for any such statements.

Following are URLs where you can obtain information on other Texas Instruments products and application solutions:

Products

Amplifiers	amplifier.ti.com
Data Converters	dataconverter.ti.com
DSP	dsp.ti.com
Interface	interface.ti.com
Logic	logic.ti.com
Power Mgmt	power.ti.com
Microcontrollers	microcontroller.ti.com
Low Power Wireless	www.ti.com/lpw

Applications

Audio	www.ti.com/audio
Automotive	www.ti.com/automotive
Broadband	www.ti.com/broadband
Digital Control	www.ti.com/digitalcontrol
Military	www.ti.com/military
Optical Networking	www.ti.com/opticalnetwork
Security	www.ti.com/security
Telephony	www.ti.com/telephony
Video & Imaging	www.ti.com/video
Wireless	www.ti.com/wireless

Mailing Address: Texas Instruments
Post Office Box 655303 Dallas, Texas 75265