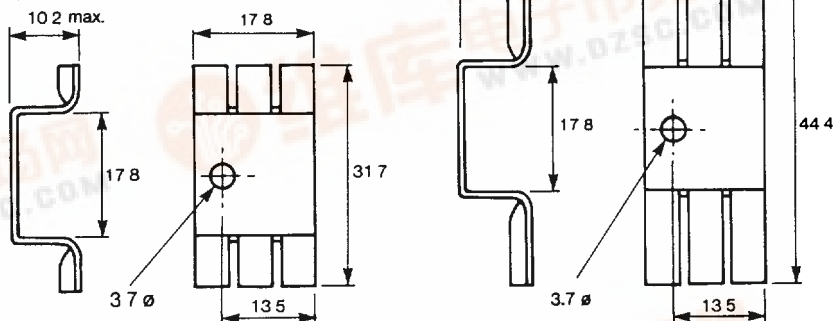
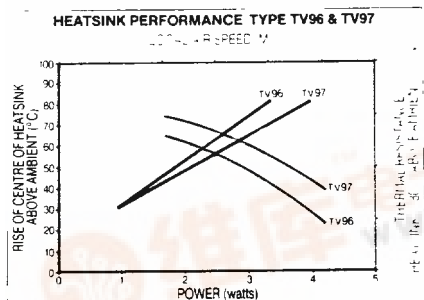
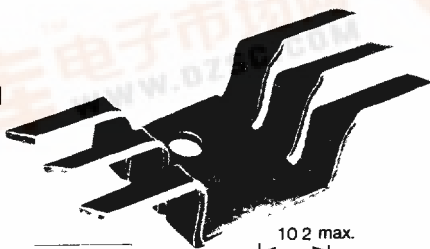


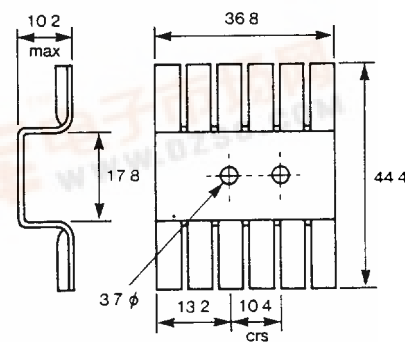
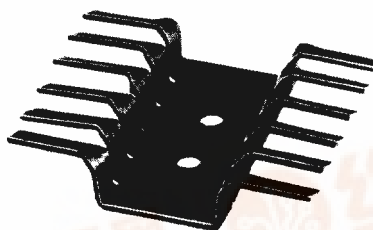
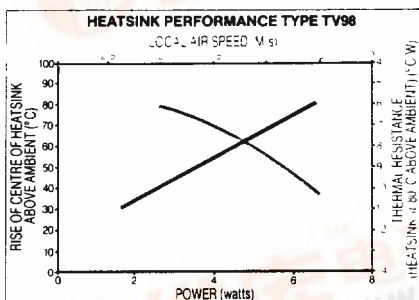
TV96 TV97 Powerfins - TO220 etc.

Twisted vane heatsinks combining good thermal rating with low height
 Finish Black anodised
 TV96 $\Theta = 24^\circ \text{C/W}$
 TV97 $\Theta = 20^\circ \text{C/W}$



TV98 Powerfin - TO220 etc.

Low height heatsink with good thermal rating suitable for one or two devices.
 Finish. Black anodised
 TV98 $\Theta = 12^\circ \text{C/W}$



1.25GY-50 Heatsink - TO220 etc.

May be mounted in vertical or horizontal mode.
 Central groove prevents device rotation.
 Finish: Black anodised
 1.25 GY-50 $\Theta = 6.8^\circ \text{C/W}$ (Horizontal)
 $\Theta = 8.6^\circ \text{C/W}$ (Vertical)

