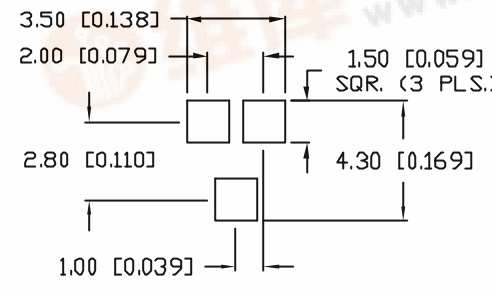
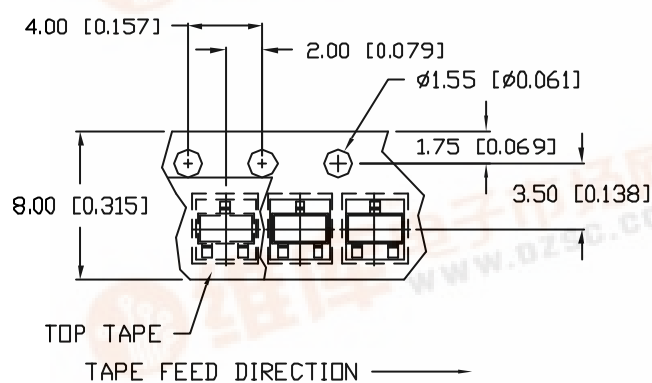
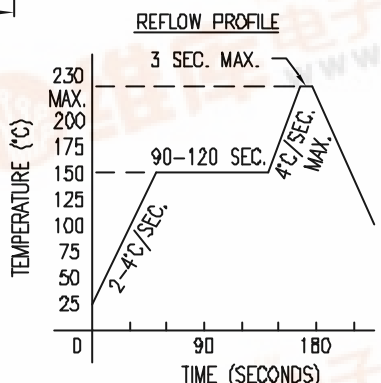
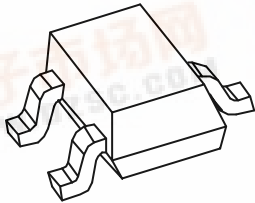
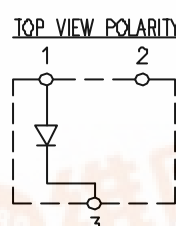
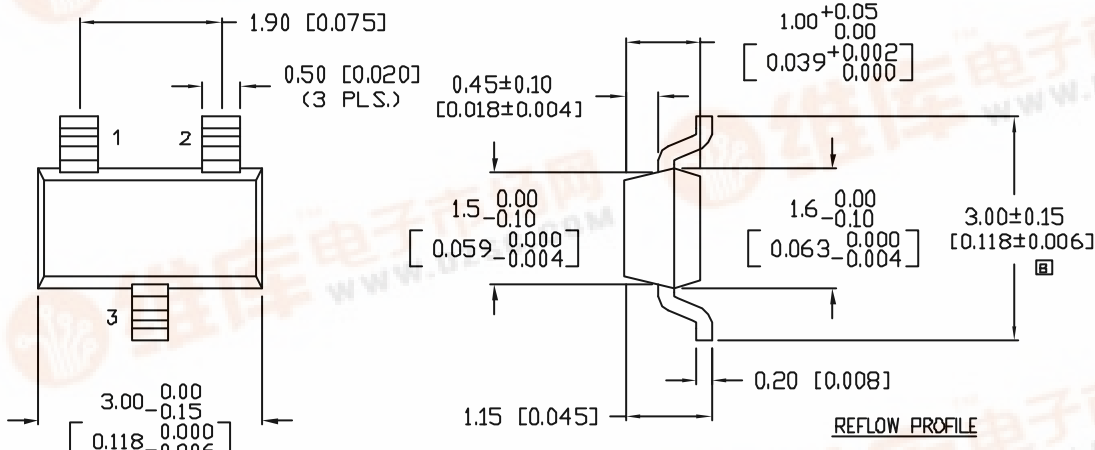




UNCONTROLLED DOCUMENT



REV.		E.C.N. NUMBER
A		E.C.N. #10165.
B		E.C.N. #10412.
C		E.C.N. #10BRDR.
D		E.C.N. #10752.
E		E.C.N. #10877.

ELECTRO-OPTICAL CHARACTERISTICS	
PARAMETER	MIN
PEAK WAVELENGTH	
FORWARD VOLTAGE	
REVERSE VOLTAGE	5.0
AXIAL INTENSITY	
VIEWING ANGLE	
EMITTED COLOR:	YELLOW
EPOXY LENS FINISH:	WATER CL

LIMITS OF SAFE OPERATION AT 25°C	
PARAMETER	
PEAK FORWARD CURRENT*	
STEADY CURRENT	
POWER DISSIPATION	
DERATE FROM 25°C	
OPERATING, STORAGE TEMP.	

\* I<sub>f</sub><sub>10</sub>μs

NOTES:

- ① 1. 3,000 PIECES
- 2. THE CATHODE IS ON THE TAPE SPRING
- ③ 3. LABEL MUST BE ATTACHED TO EACH TAPE

UNCONT

\*UNLESS OTHERWISE SPECIFIED TOLERANCES PER DECIMAL PRECISION ARE: X=±1 (±0.039), X.X=±0.5 (±0.020), X.XX=±0.25 (±0.010), X.XXX=±0.127 (±0.005). LEAD SIZE=±0.05 (0.002), LEAD LENGTH=±0.127 (0.005).



REV. PART NUMBER  
**SSL-LX15YC-RP-TR**  
 SOT-23 SURFACE MOUNT 585nm YELLOW LED,

CONFIDENTIAL INFORMATION  
 THE INFORMATION CONTAINED IN THIS DOCUMENT IS THE PROPERTY OF LUMEX INC. EXCEPT AS SPECIFICALLY AUTHORIZED IN WRITING BY LUMEX INC. THE HOLDER OF THIS DOCUMENT SHALL KEEP ALL INFORMATION CONTAINED HEREIN CONFIDENTIAL AND SHALL PROTECT SAME IN WHOLE OR IN PART FROM DISCLOSURE AND DISSEMINATION TO ALL THIRD PARTIES.  
 RELIABILITY NOTE  
 OUR MANY YEARS OF EXPERIENCE DATA ACCUMULATION INDICATE THAT

DRAWN BY: CHECKED