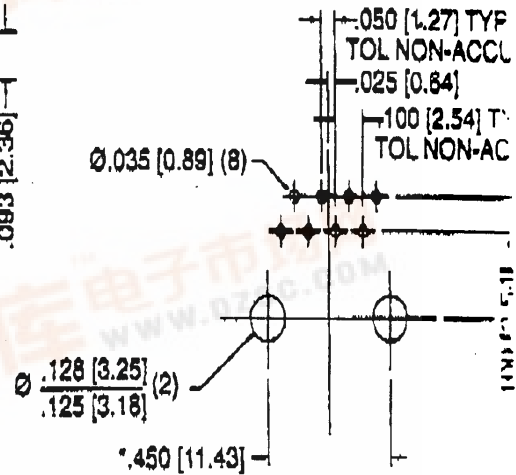
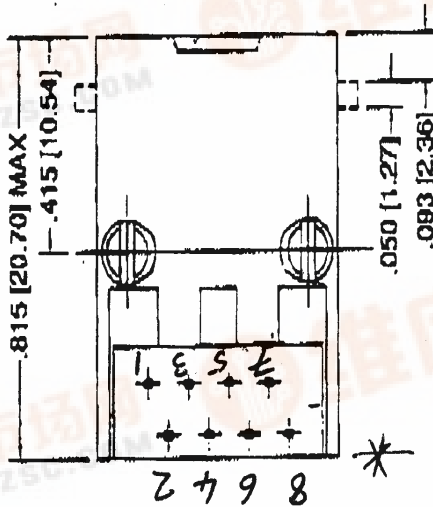
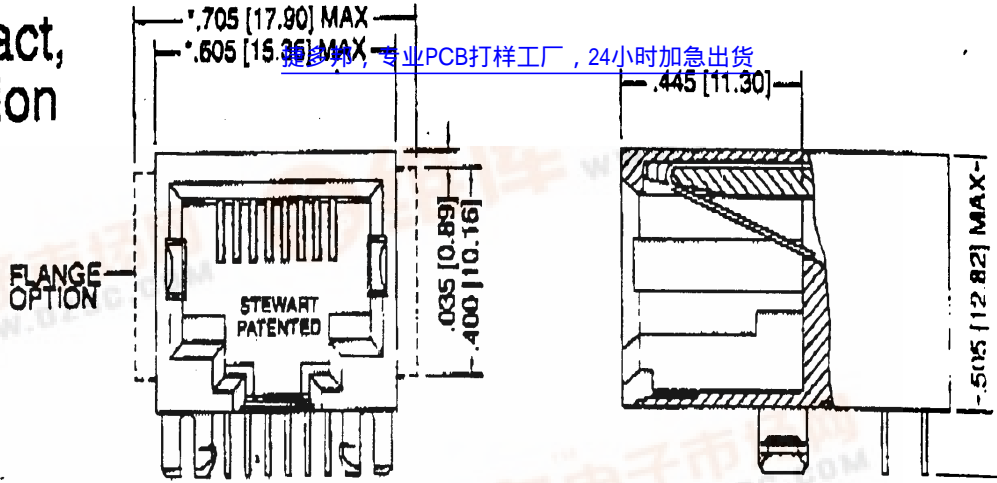


# Eight-Contact, Eight-Position Unshielded

查询S-Pin 8-1NF供应商

更多资料, 专业PCB打样工厂, 24小时加急出货



429-995  
PIN NUMBER INFO \*

# Ten-Contact, Ten-Position Unshielded

