

Features

- Small height of 5.65 mm
- Operating temperature -40 °C to +85 °C
- Lead free version available (see How to Order)
- Lead free versions are RoHS compliant*

Applications

- Telecom

SM75056E - T1/E1 Transformer

Electrical Specifications @ 25 °C

OCL (1-3)	mH min. @ 10 kHz, 0.1 V	1.2
OCL (6-8)	mH min. @ 10 kHz, 0.1 V	1.2
OCL (1-3)	µH min. @ 10 kHz, 0.1 V, (-40 °C to +85 °C)	600
OCL (6-8)	µH min. @ 10 kHz, 0.1 V, (-40 °C to +85 °C)	600
L ₁ (1-3)	µH max. @ 100 kHz, 0.1 V short (16-14)	0.6
L ₂ (6-8)	µH max. @ 100 kHz, 0.1 V short (11-9)	0.6
C _{ww} (16-1)	pF max. @ 100 kHz, 0.1 V	30
C _{ww} (11-6)	pF max. @ 100 kHz, 0.1 V	30
Turns Ratio	(1-3) : (16-14)	1 : 1.26 ± 2 %
	(6-8) : (11-9)	1 : 1.26 ± 2 %
DCR (1-3)		0.8 ohm max.
DCR (6-8)		0.8 ohm max.
Polarity (1, 16, 6, 11)		Same phase
HIPOT	Between Windings	2000 VAC

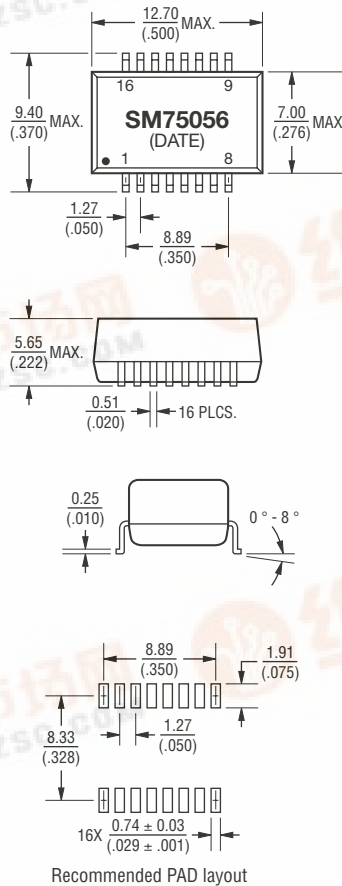
Contact Area of Pins on the PCB

Minimum Total Contact Area.....5 mm²

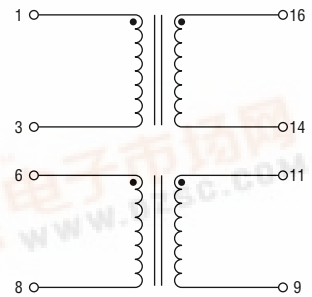
Packaging Specifications

Tape & Reel.....700 pcs./reel

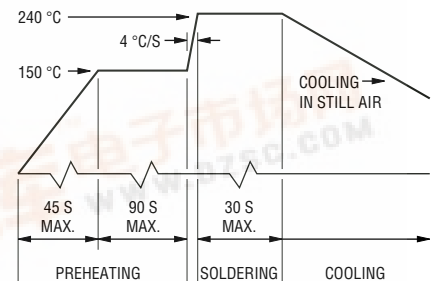
Product Dimensions



Electrical Schematic



Soldering Profile



How to Order

SM75056E

Model _____
Termination _____
Blank = Tin-lead
L = Tin only (lead free)

DIMENSIONS ARE: $\frac{\text{MM}}{\text{(INCHES)}}$

TOLERANCE: $\pm \frac{0.254}{(.010)}$