



SDZ5V6D

Zener Diode

Features

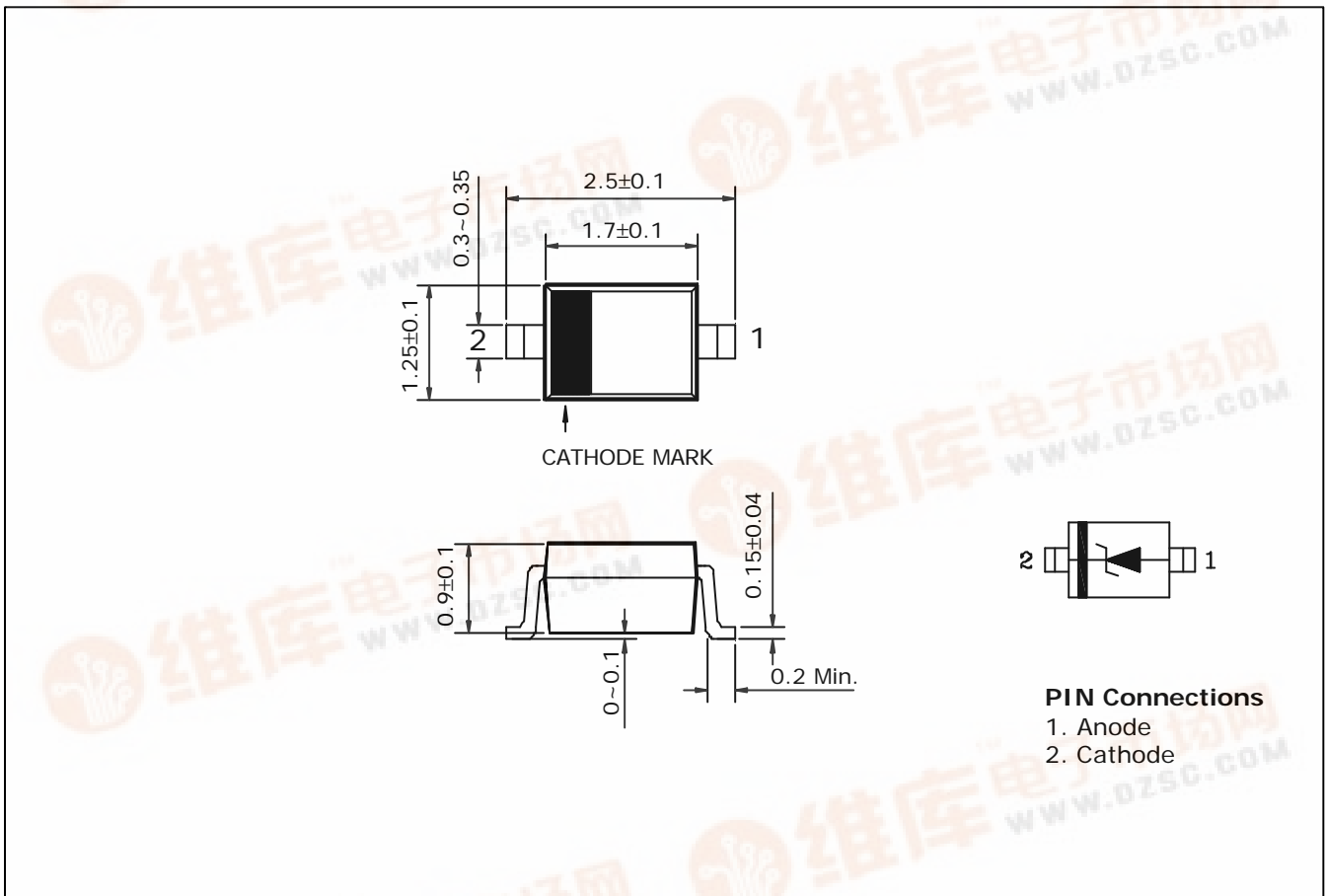
- Compact type
- Radiation size 1.25mm × 1.7mm
- Surface mount lead configuration

Ordering Information

Type NO.	Marking	Package Code
SDZ5V6D	Z3	SOD-323

Outline Dimensions

unit : mm



SDZ5V6D

Absolute maximum ratings

(Ta=25°C)

Characteristic	Symbol	Ratings	Unit
Power dissipation	P_D	200	mW
Junction temperature	T_j	150	°C
Storage temperature	T_{stg}	-55 ~ 150	°C

Electrical Characteristics

(Ta=25°C)

Characteristic	Symbol	Test Condition	Min.	Typ.	Max.	Unit
Zener voltage	V_z	$I_z=5mA$	5.35	-	5.85	V
Dynamic impedance	Z_{zT}	$I_z=5mA$	-	-	25	Ω
KNEE dynamic impedance	Z_{zK}	$I_z=0.25mA$	-	-	1800	Ω
Reverse current	I_R	$V_R=3V$	-	-	2	μA

Electrical Characteristic Curves

Fig. 1 P_D - T_a

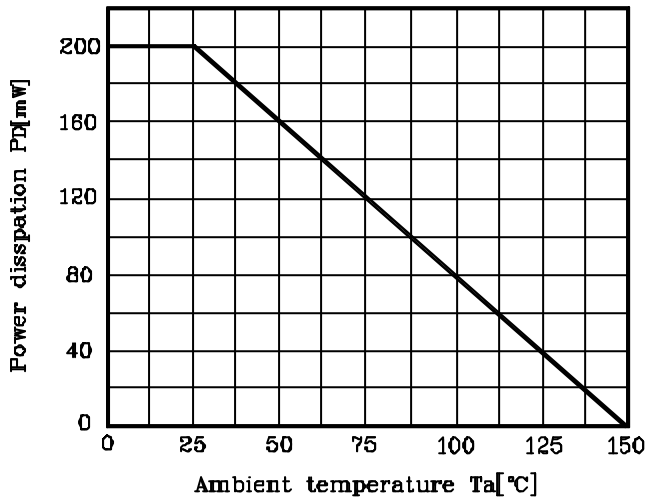


Fig. 2 I_Z - V_Z

