



SDZ12VD

Zener Diode

Features

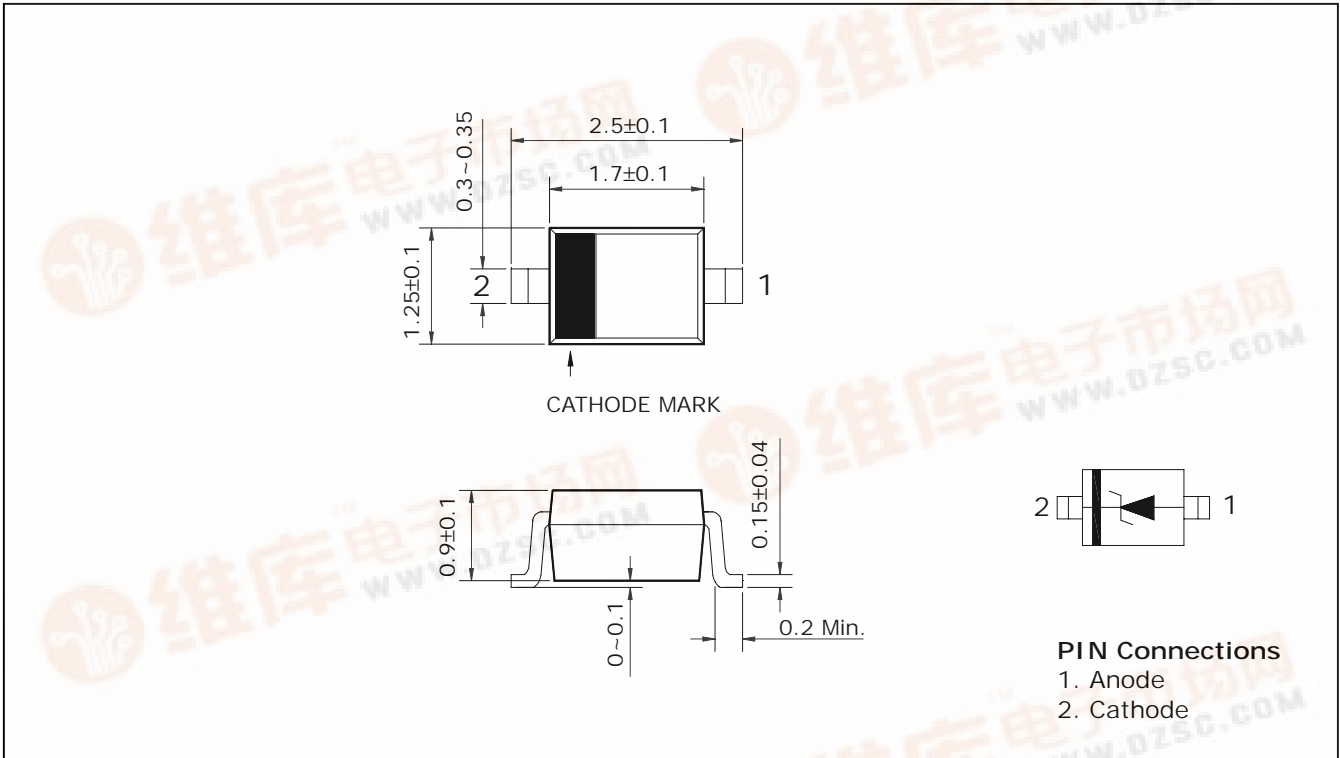
- Compact type
- Radiation size 1.25mm × 1.7mm
- Surface mount lead configuration

Ordering Information

Type NO.	Marking	Package Code
SDZ12VD	YS	SOD-323

Outline Dimensions

unit : mm



SDZ12VD

Absolute maximum ratings

(Ta=25°C)

Characteristic	Symbol	Ratings	Unit
Power dissipation	P_D	200	mW
Junction temperature	T_j	150	°C
Storage temperature	T_{stg}	-55 ~ 150	°C

Electrical Characteristics

(Ta=25°C)

Characteristic	Symbol	Test Condition	Min.	Typ.	Max.	Unit
Zener voltage	V_Z	$I_Z=5mA$	11.46	-	12.54	V
Dynamic impedance	Z_{ZT}	$I_Z=5mA$	-	-	22	Ω
KNEE dynamic impedance	Z_{ZK}	$I_Z=0.25mA$	-	-	600	Ω
Reverse current	I_R	$V_R=9.1V$	-	-	0.1	μA

Electrical Characteristic Curves

Fig. 1 $P_D.T_a$

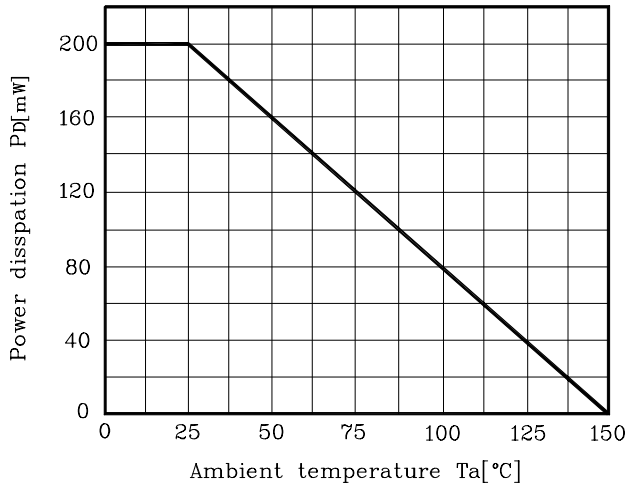


Fig. 2 $I_Z.V_Z$

