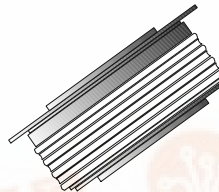




**Transys**  
**Electronics**  
**LIMITED**

**SD800C(\*)L Series**  
**STANDARD RECOVERY DIODE**  
 $I_{F(AV)} = 1200 \text{ A}$ ,

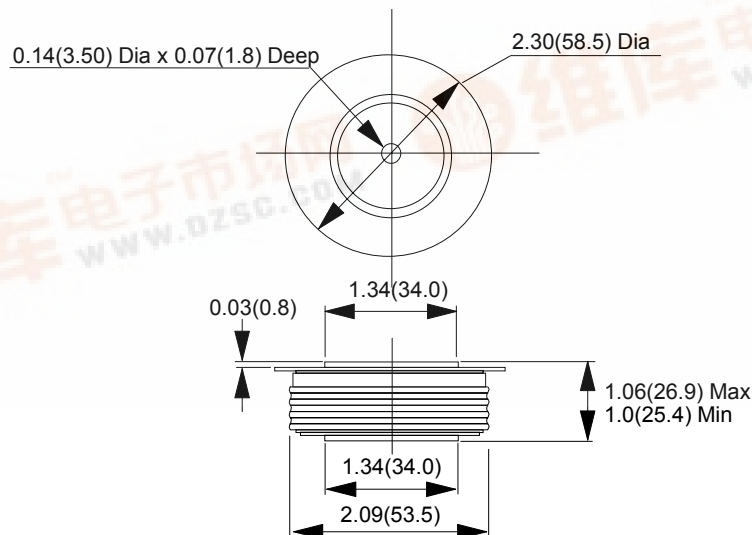


Case: B-Puk

MAXIMUM RATINGS (T <sub>j</sub> = 25 °C unless stated otherwise)							
Parameter	Symbol	SD800C 24L	SD800C 30L	SD800C 36L	SD800C 40L	SD800C 45L	Unit
Repetitive Peak Reverse Voltage	V <sub>RRM</sub>	2400	3000	3600	4000	4500	Volt
Maximum Average On-State Current	I <sub>F(AV)</sub>	1180 at TC=55°C					Amp
Peak Forward Surge Current	I <sub>FSM</sub>	14240					Amp
Maximum I <sup>2</sup> T for Fusing	I <sup>2</sup> T	845					A <sup>2</sup> /S
Maximum Storage Temperature Range	T <sub>(STG)</sub>	-55 to +200					°C
Maximum Junction Temperature Range	T <sub>j</sub>	-40 to +150					°C

ELECTRICAL CHARACTERISTICS at 25 °C Maximum Unless Stated Otherwise				Value			Unit
Parameter	Symbol	Condition	Min	Typ	Max		
Maximum Forward Voltage	V <sub>FM</sub>	I <sub>pk</sub> = 2000 Amps 2400-3600V			1.66	Volt	
Maximum Forward Voltage	V <sub>FM</sub>	I <sub>pk</sub> = 2000 Amps 4000-4500V			1.95	Volt	
Repetitive Peak Off- State Current at TC=175°C	I <sub>RRM</sub>	V <sub>R</sub> = V <sub>RRM</sub>			50.0	mA	
Thermal Resistance (Junction toHeatsink)	R <sub>TH (J-H)</sub>				0.73	°C/W	
Mounting Torque	M <sub>T</sub>				14700	NM	
Weight	Wt				255	grms	

**Mechanical Dimensions**



All Dimensions in Inches (Millimeters)

Third Angle Projection

