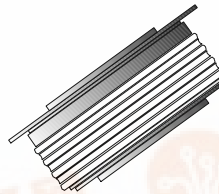




Transys
Electronics
LIMITED

SD700C(*)L Series
STANDARD RECOVERY DIODE
I_{F(AV)} = 700 A ,

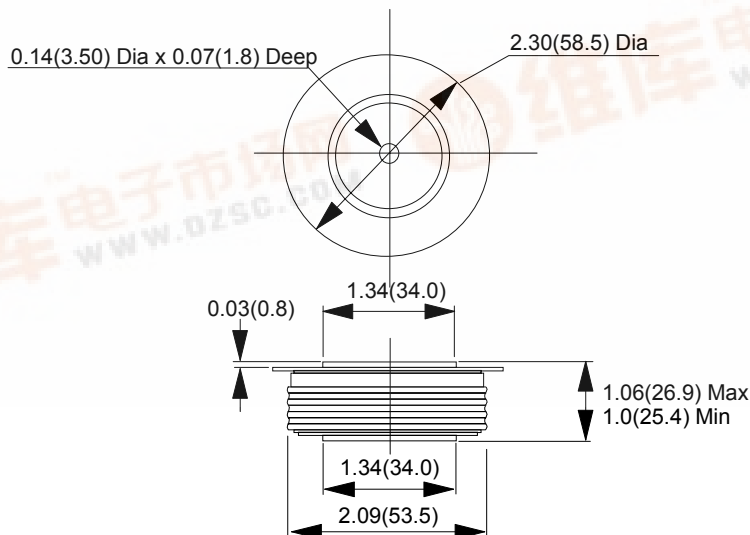


Case: B-Puk

MAXIMUM RATINGS (T _J = 25 °C unless stated otherwise)						
Parameter	Symbol	SD700C 30L	SD700C 36L	SD700C 40L	SD700C 45L	Unit
Repetitive Peak Reverse Voltage	V _{RRM}	3000	3600	4000	4500	Volt
Maximum Average On-State Current	I _{F(AV)}	700 at TC=55°C				Amp
Peak Forward Surge Current	I _{FSM}	7850				Amp
Maximum I ² T for Fusing	I ² T	257				A ² /S
Maximum Storage Temperature Range	T _(STG)	-55 to +200				°C
Maximum Junction Temperature Range	T _J	-40 to +150				°C

ELECTRICAL CHARACTERISTICS at 25 °C Maximum Unless Stated Otherwise				Value			Unit
Parameter	Symbol	Condition	Min	Typ	Max		
Maximum Forward Voltage	V _{FM}	I _{pk} = 1000 Amps			1.66	Volt	
Repetitive Peak Off- State Current at TC=175°C	I _{RRM}	V _R = V _{RRM}			50.0	mA	
Thermal Resistance (Junction toHeatsink)	R _{TH (J-h)}				0.11	°C/W	
Mounting Torque	M _T				9800	NM	
Weight	Wt				250	grms	

Mechanical Dimensions



All Dimensions in Inches (Millimeters)

