

Tyco/Electronics
Raychem Circuit Protection
 308 Constitution Drive
 Menlo Park, CA 94025-1164
 800-227-4856
 FAX 800-227-4866

PolySwitch®
PTC Devices
 Overcurrent Protection Device

PRODUCT: RXE005

DOCUMENT: SCD 24363
 PCN: 718115
 REV LETTER: F
 REV DATE: OCTOBER 23, 2001
 PAGE NO.: 1 OF 1

Specification Status: Released

Electrical Rating

Voltage: 60V MAX
Current: 40A MAX

Insulating Material:
 Cured, Flame Retarded Epoxy Polymer
 meets UL94 V-0 Requirements

Lead Material:
 26 AWG Tin Lead Plated Nickel-Copper Alloy
 Marking:

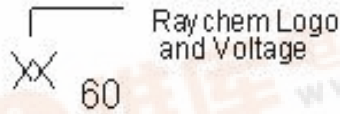
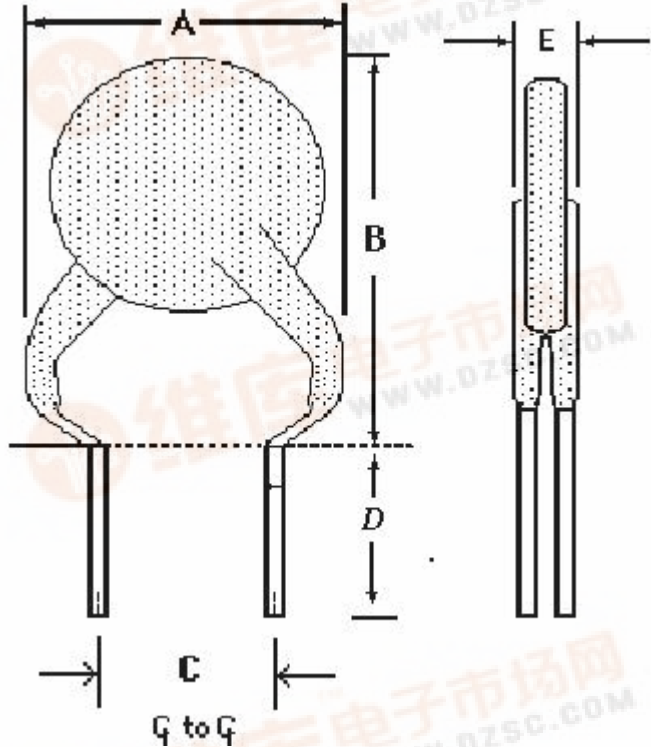


TABLE I. DIMENSIONS:

	A		B		C		D		E	
	MIN	MAX	MIN	MAX	MIN	MAX	MIN	MAX	MIN	MAX
mm:	--	8.0	--	8.3	4.3	5.8	7.6	--	--	2.8
in*:	--	(0.315)	--	(0.325)	(0.17)	(0.23)	(0.30)	--	--	(0.110)

*Rounded off approximation

TABLE II. PERFORMANCE RATINGS:

I _H RATED CURRENT	CURRENT RATINGS						TIME TO TRIP	INITIAL RESISTANCE VALUES		ONE-HOUR POST-TRIP RESISTANCE STANDARD TRIP	NOMINAL TRIPPED-STATE POWER DISSIPATION
	AMPERES AT 0°C		AMPERES AT 20°C		AMPERES AT 60°C			OHMS AT 20°C			
AMPERES 20°C HOLD	AMPERES HOLD	AMPERES TRIP	AMPERES HOLD	AMPERES TRIP	AMPERES HOLD	AMPERES TRIP	SECONDS AT 20°C, 0.5A MAX	MIN	MAX	MAX	NOMINAL
0.05	0.06	0.12	0.05	0.10	0.03	0.07	5.0	7.3	11.1	20.0	0.22

Recognitions: UL, CSA, TUV recognized.
 Reference Documents: PS300
 Precedence: This specification takes precedence over documents referenced herein.
 Effectivity: Reference documents shall be the issue in effect on the date of invitation for bid.
 CAUTION: Operation beyond the rated voltage or current may result in rupture, electrical arcing or flame.

