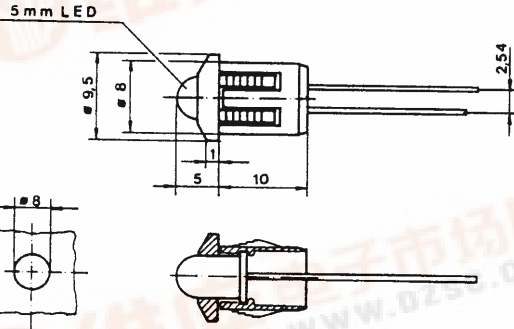
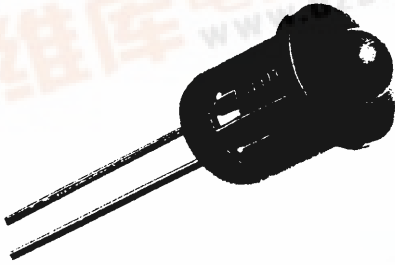


Clips + Accessories

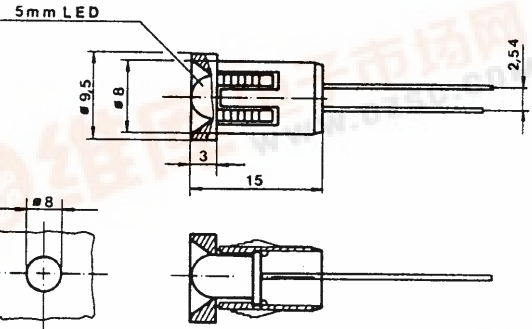
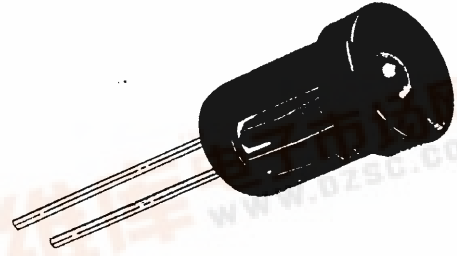
233-523/233-535



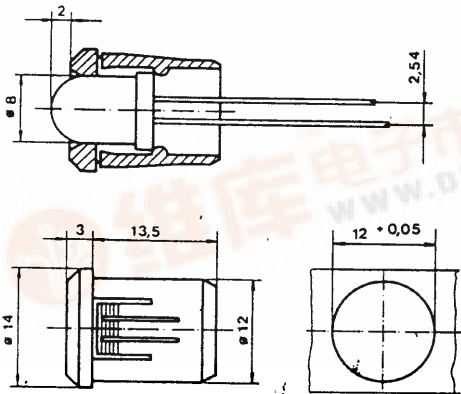
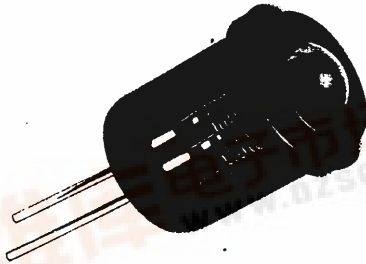
RTF-5010



RTF-5020



RTF-8080



RTF-1090

