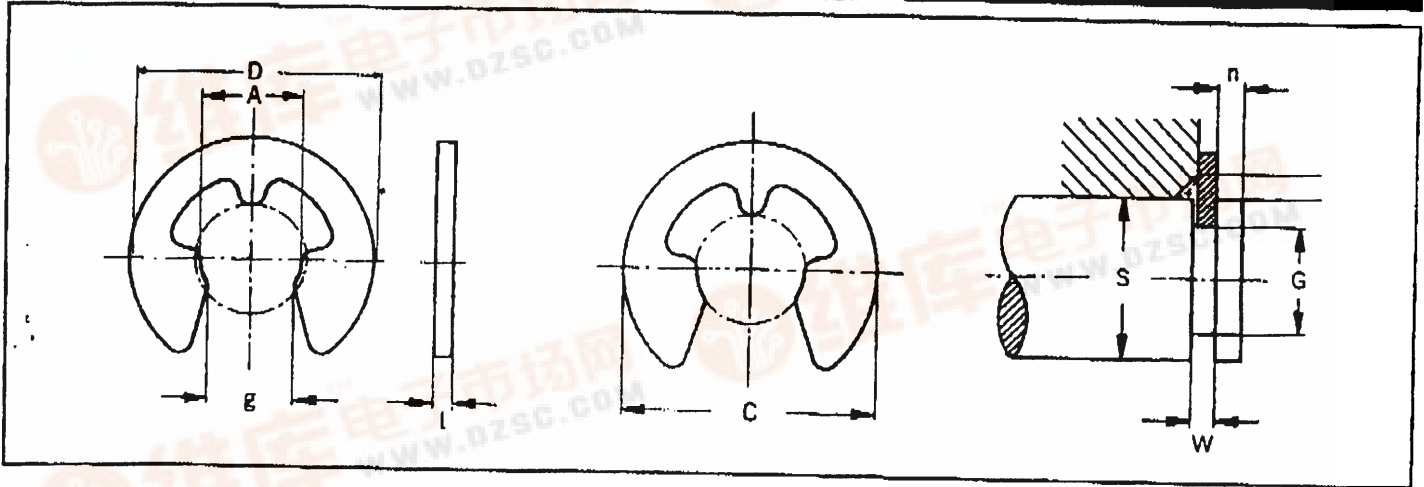


Standard 'E' Type Circlips

RSM INCORPORATING DIN 6799 & BS 3673-2 Metric Series

N1500 INCORPORATING BS 3673 Part 2 and MIL-R 21248 MS 16633



RSM

*This size in Beryllium Copper only.

Code No.	Shaft				Circlip Dimensions				Groove Dimensions						Code No.		
	S mm	Tol mm	t mm	Tol mm	D mm	C mm	g mm	Tol mm	Fr kN	G mm	Tol mm	W mm	n mm	Fn kN			
*RSM0008	1.20	±0.20	0.2	+0.02 -0.02	1.95	2.25	0.58	+0.04 -0.04	0.08	0.8	+0.00/-0.04	0.24	0.4	0.03	RSM0008		
RSM0012	1.70	±0.30	0.3		2.90	3.25	1.01		0.12	1.2	+0.00 -0.06	0.34	0.5	0.04	RSM0012		
RSM0015	2.25	±0.25	0.4		3.85	4.25	1.28		0.22	1.5		0.44	0.8	0.07	RSM0015		
RSM0019	2.75	±0.50	0.5		4.40	4.8	1.61		0.35	1.9		0.54	1.0	0.10	RSM0019		
RSM0023	3.50		0.6		5.90	6.3	1.94		0.50	2.3		0.64	1.0	0.15	RSM0023		
RSM0032	4.50	±1.00	0.6		6.80	7.3	2.70		0.65	3.2		0.64	1.0	0.22	RSM0032		
RSM0040	6.00		0.7		8.80	9.3	3.34		0.95	4.0		0.74	1.2	0.25	RSM0040		
RSM0050	7.00		0.7		10.75	11.3	4.11		+0.048	1.15		5.0	0.74	1.2	0.90	RSM0050	
RSM0060	8.00		±1.50		0.7	11.75	12.3		5.26	-0.048		1.35	6.0	0.74	1.2	1.10	RSM0060
RSM0070	9.50				0.9	13.80	14.3		5.84	1.8		7.0	0.94	1.5	1.25	RSM0070	
RSM0080	10.50		±2.00	1.0	15.60	16.3	6.52	2.5	8.0	+0.00		1.05	1.8	1.42	RSM0080		
RSM0090	12.00			1.1	18.20	18.8	7.63	+0.058	3.0	9.0	-0.09	1.15	2.0	1.60	RSM0090		
RSM0100	13.00			±2.50	1.2	19.65	20.4	8.32	-0.058	3.5	10.0	1.25	2.0	1.70	RSM0100		
RSM0120	15.50				1.3	22.65	23.4	10.45	4.7	12.0	+0.00	1.35	2.5	3.10	RSM0120		
RSM0150	20.00				±4.00	1.5	28.60	29.4	12.61	+0.07	7.8	15.0	-0.11	1.55	3.0	7.00	RSM0150
RSM0190	25.50	±5.50			1.75	36.70	37.6	15.92	-0.07	11.0	19.0	+0.00	1.80	3.5	10.00	RSM0190	
RSM0240	31.50	±6.50			2.0	43.65	44.6	21.88	+0.08/-0.08	15.0	24.0	-0.13	2.05	4.0	13.00	RSM0240	

N1500

*This size in Beryllium Copper only.

Code No.	Shaft				Circlip Dimensions				Groove Dimensions						Code No.
	S inch	Tol inch	t inch	Tol inch	D inch	C inch	A inch	Tol inch	Fr (lb.f)	G inch	Tol inch	W inch	n inch	Fn (lb.f)	
*N1500/X004	.040	+0.010/-0.000	.010	+0.001	.079	.090	.025	+0.001 -0.003	15	.026	+0.007/-0.002	.012	.014	5	N1500/X004
N1500/X006	.062	+0.030	.010	-0.001	.140	.150	.051		36	.052		.012	.010	6	N1500/X006
N1500/Y006	.062		.010	.156	.165	.051	36		.052	.012		.010	6	N1500/Y006	
N1500/X009	.094	-0.000	.015	+0.002 -0.002	.187	.200	.051		72	.052		.023	.010	6	N1500/X009
N1500/Y009	.094	.015	.230		.245	.069	81		.074	.018		.020	17	N1500/Y009	
N1500/X011	.110	+0.040	.015		.187	.200	.073		81	.074		.018	.020	17	N1500/X011
N1500/Y011	.110		.015		.375	.390	.076		95	.079		.018	.030	32	N1500/Y011
N1500/X012	.125	+0.000	.015		.230	.240	.094		108	.095		.018	.030	35	N1500/X012
N1500/Y012	.140		.015		203	.214	.100		121	.102		.018	.038	50	N1500/Y012
N1500/X014	.140		-0.000		.015	250	.265		.108	121		.110	.018	.030	39
N1500/Y014	.140		.025		.270	.285	.102	202	.105	.029	.034	46	N1500/Y014		
N1500/X015	.156		+0.050		.025	.282	.295	.114	225	.116	.029	.040	58	N1500/X015	
N1500/Y015	.172		-0.000		.025	.312	.325	.125	248	.127	.029	.044	72	N1500/Y015	
N1500/X018	.188		+0.060	.025	.375	.390	.122	271	.125	.029	.062	110	N1500/X018		
N1500/Y018	.188		-0.000	.025	.335	.350	.145	271	.147	.029	.040	72	N1500/Y018		
N1500/X021	.219		+0.002 -0.002	.025	.437	.450	.185	316	.188	.029	.030	63	N1500/X021		
N1500/Y021	.250			.025	.527	.540	.207	361	.210	.029	.040	93	N1500/Y021		
N1500/X031	.312	+0.100		.025	500	.520	.243	450	.250	.029	.062	180	N1500/X031		
N1500/Y031	.375	-0.000		.035	660	.680	.300	757	.303	.039	.072	252	N1500/Y031		
N1500/X043	.438	+0.002 -0.004		.035	687	.710	.337	885	.343	.039	.094	388	N1500/X043		
N1500/Y043	.438			.035	600	.620	.375	884	.380	.039	.058	237	N1500/Y043		
N1500/X050	.500			+0.003 -0.000	.042	800	.820	.392	1210	.396	.046	.104	485	N1500/X050	
N1500/Y050	.625				.042	940	.960	.480	1510	.485	.056	.118	1190	N1500/Y050	
N1500/X074	.744				+0.120	.050	1000	1.020	.616	2160	.625	.056	.170	1630	N1500/X074
N1500/Y074	.750				-0.000	.050	1.120	1.140	.574	2520	.580	.056	.200	1370	N1500/Y074
N1500/X087	.875		+0.005 -0.005		.050	1.300	1.320	.668	2840	.675	.056	.148	1210	N1500/X087	
N1500/Y087	.984				.050	1.500	1.530	.822	4250	.835	.056	.148	1210	N1500/Y087	
N1500/X118	1.188				+0.200	.062	1.625	1.670	1.055	4820	1.070	.056	.148	1210	N1500/X118