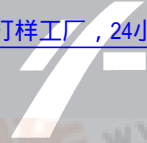


# RM/RC - Machined contacts



## Size 16 solid machined contacts for TRIM TRIO connectors

### Description

Size 16 RM/RC .0625" (1.6mm) diameter contacts are precision solid machined crimp snap-in pin and sockets for heavy duty top performance requirements.

Springs on both contacts are made of spring-tempered, heat-treated, beryllium copper.

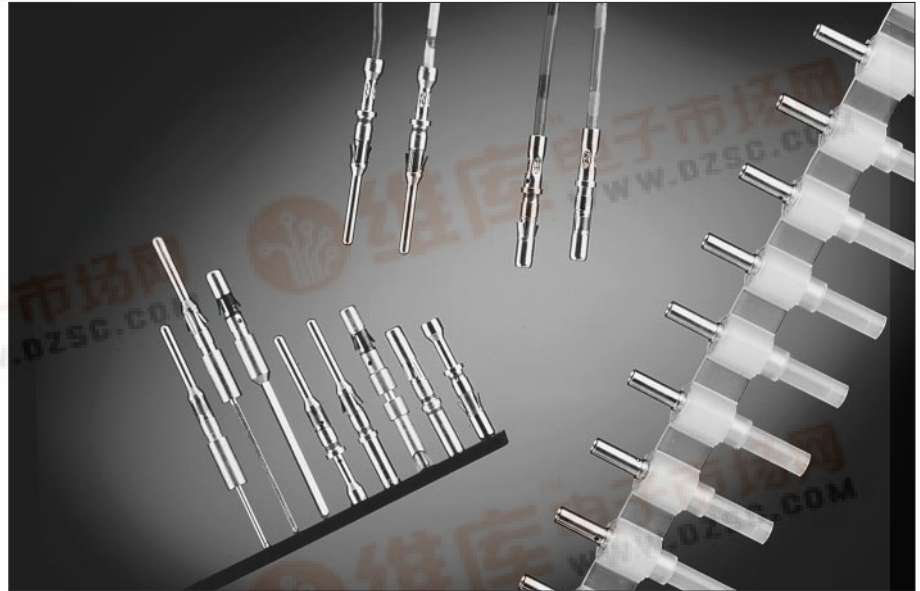
The socket inner spring supplies high contact pressure to ensure low-resistance contact between pin and socket. The socket contact features closed entry to prevent probe damage. Crimp barrels have insulation grips for vibration support and are provided with a cable stop and inspection hole.

### Features and benefits

- Made from high conductive copper alloy with gold or tin over nickel plate finish.
- Heat-treated beryllium copper locking springs assure proper locking and alignment of contacts in the housing.
- Colour coded for different wire sizes.
- Closed entry design on socket contact to prevent probe damage.
- Contacts available in bulk packing

### Performance characteristics

|                              |             |
|------------------------------|-------------|
| Current rating:              | 13 Amp      |
| Contact resistance:          | ≤ 3 mΩ      |
| Operating voltage:           | 750 V RMS   |
| Contact retention in body:   | 110 N min.  |
| Individual insertion force:  | 3.5 N max.  |
| Individual withdrawal force: | 0.55 N min. |



### Construction

Contact body: High conductive copper alloy.

Outer spring: Tempered, heat-treated, non-plated beryllium copper.

Inner spring socket: Tempered, heat-treated, plated beryllium copper.

### Plating table

K (std) = Min. 0.4 μ Gold all over, over Nickel

J = Gold flash all over, over Nickel

N = Min. 0.75 μ Gold all over, over Nickel

T = 3 - 5 μ Tin all over, over Nickel

Other platings on request

### Connector accommodation

Any TRIM TRIO contact can be used in any contact position in any connector in the TRIM TRIO interconnection system.

- MS-M Rectangular connectors
- SMS Qikmate
- PI43 Eurorack connectors
- UT-Bantam
- UTG Metalok bantam
- UTP Full plastic bantam
- UTGS Shielded bantam
- MBG Bantamate II

### How to order

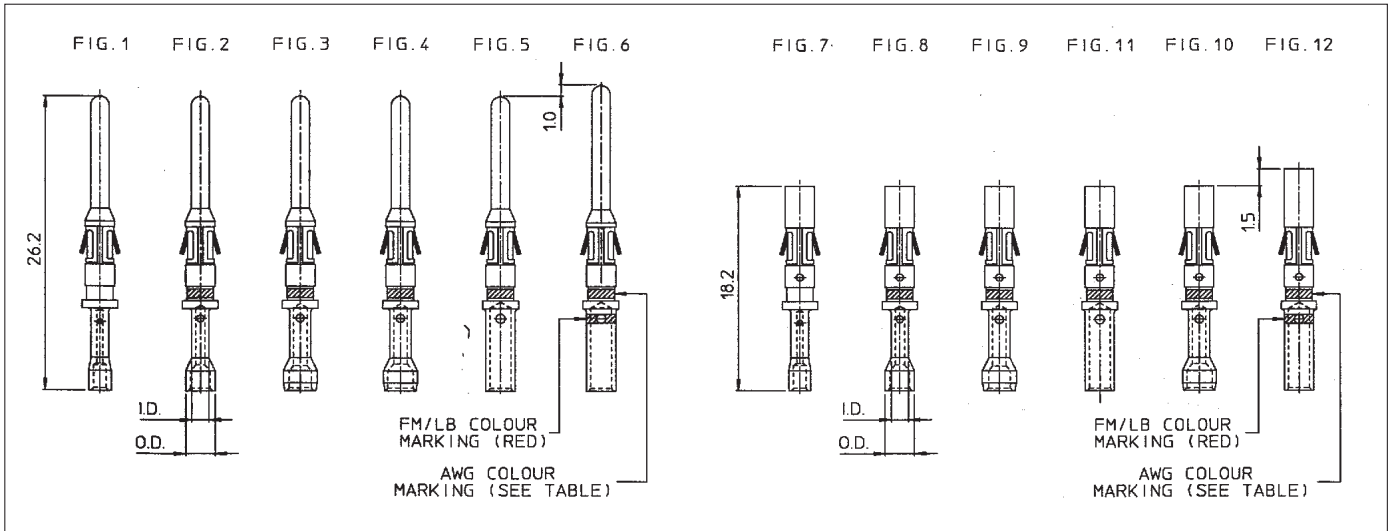
|                            | (K) RM  | 16 | M | 23 | (GE1) | K | - |
|----------------------------|---|----|---|----|-------|---|---|
|                            | (K) RC  | 16 | M | 23 | (GE1) | K | - |
| <b>Contact type:</b>       | RM: Male contact bulk packing                 |    |   |    |       |   |   |
|                            | RC: Female contact bulk packing               |    |   |    |       |   |   |
|                            | KRM: Male contact on plastic carrier strip    |    |   |    |       |   |   |
|                            | KRC: Female contact on plastic carrier strip  |    |   |    |       |   |   |
| <b>AWG Size:</b>           | 16, 20, 24, 28                                |    |   |    |       |   |   |
| <b>Size 16:</b>            | .0625" (1.6mm) Diameter contacts              |    |   |    |       |   |   |
| <b>Design variation:</b>   | Crimp barrel                                  |    |   |    |       |   |   |
| <b>Grounding contact:</b>  |   |    |   |    |       |   |   |
| <b>Plating indication:</b> | See plating table                             |    |   |    |       |   |   |
| <b>Packing quantity:</b>   | No digit (std) : 50 pcs. bulk packing (RM/RC) |    |   |    |       |   |   |
|                            | : 2000 pcs on reel (KRM/KRC)                  |    |   |    |       |   |   |
|                            | 1000 : 1000 pcs bulk packing (RM/RC)          |    |   |    |       |   |   |



# RM/RC - Machined contacts



## Standard RM/RC crimp contacts: Contact size 16 - Pin diameter 1.57mm (.062")



### Dimensional table

| Pin contacts | Part number |                 | Fig. | Colour code | wire size |                 | Max. wire dia. | Max. insul. dia. | wire strip length | I.D. | O.D. |
|--------------|-------------|-----------------|------|-------------|-----------|-----------------|----------------|------------------|-------------------|------|------|
|              | Fig.        | Socket contacts |      |             | AWG       | mm <sup>2</sup> |                |                  |                   |      |      |
| RM28M1K      | 1           | RC28M1K         | 7    | -           | 30 - 28   | 0.05 - 0.08     | 0.55           | 1.1              | 4.8               | 1.50 | 1.90 |
| RM24M9K      | 2           | RC24M9K         | 8    | Red         | 26 - 24   | 0.13 - 0.20     | 0.8            | 1.7              |                   | 1.50 | 2.55 |
| RM20M13K     | 3           | RC20M13K        | 9    | Black       | 22 - 20   | 0.32 - 0.52     | 1.18           | 1.9              |                   | 1.83 | 2.92 |
| RM20M12K     | 4           | RC20M12K        | 10   | Blue        | 22 - 20   | 0.32 - 0.52     | 1.18           | 2.2              |                   | 1.83 | 2.92 |
| RM16M23K     | 5           | RC16M23K        | 11   | Green       | 20 - 16   | 0.52 - 1.50     | 1.82           | 3.2              | 7.1               | 2.55 | -    |
| RM16M23GE1K  | 6           | RC16M23GE1K     | 12   | Green + red | 20 - 16   | 0.52 - 1.50     | 1.82           | 3.2              |                   | 2.55 | -    |

Packing quantity: 50 pcs bulk packing (standard)

For 1000 pcs bulk packing add "1000" at the end of the part number e.g. RM16M23K1000

For machined contact reeled on plastic carrier: put "K" in front of part number e.g. KRM16M23K

For other platings: See plating table

### Crimptooling table

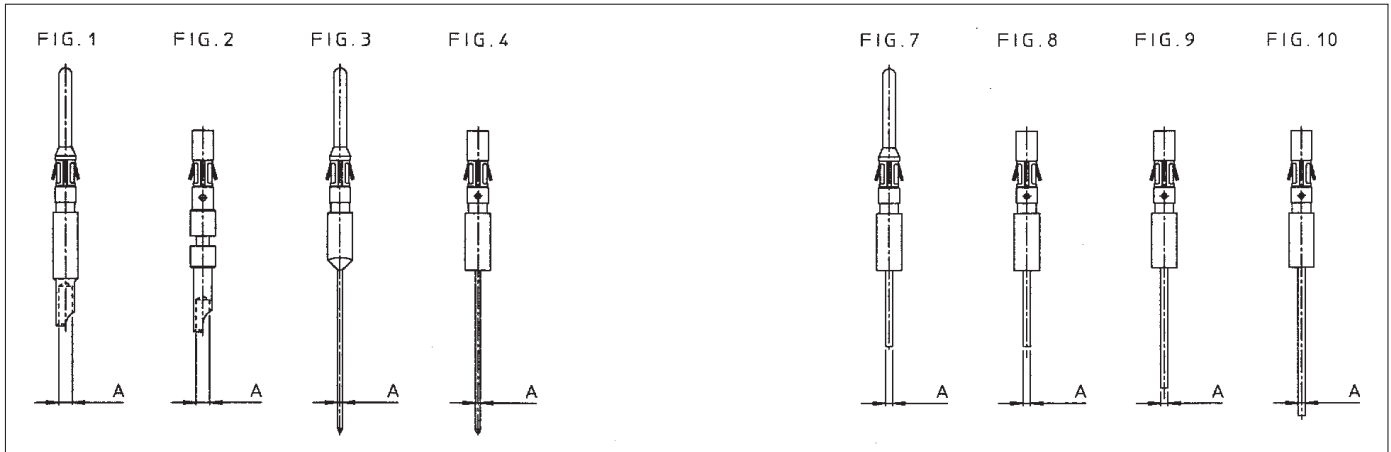
| Size   | Hand crimp tooling for loose contacts |                        |                 |                     |                          |                     | Automatic crimp tooling for contacts on strip | Extraction tools       |
|--------|---------------------------------------|------------------------|-----------------|---------------------|--------------------------|---------------------|---|------------------------|
|        | Hand tools die set included           | MH860                  |                 | M10S1               |                          | M8ND                | P100MAN (Press)                               |                        |
|        |                                       | Positioner (not incl.) | Locator setting | Die set (not incl.) | Stop bushing (not incl.) | Die set (not incl.) | Left side applicator KRM/KRC (not incl.)      |                        |
| 28     | MR8GE5 and Y16RCM                     | MH86164G               | 4/6             | S9                  | SL40                     | N24RT10             | MLS228  | RX2025GE1 or RX2025GE2 |
| 24     |                                       |                        | 5/6             | S10                 |                          | N20RT30             | MLS224  |                        |
| 20     |                                       |                        | 5/7             |                     |                          |                     | N16RT21                                       |                        |
| 16     |                                       |                        | MH86186         | 6/8                 | S3D1                     | SL39                | N16RT25                                       |                        |
| 16 GE1 |                                       | SL115                  |                 |                     |                          |                     |   |                        |

For detailed information on crimp tooling : See crimp tooling section

# RM/RC - Machined contacts

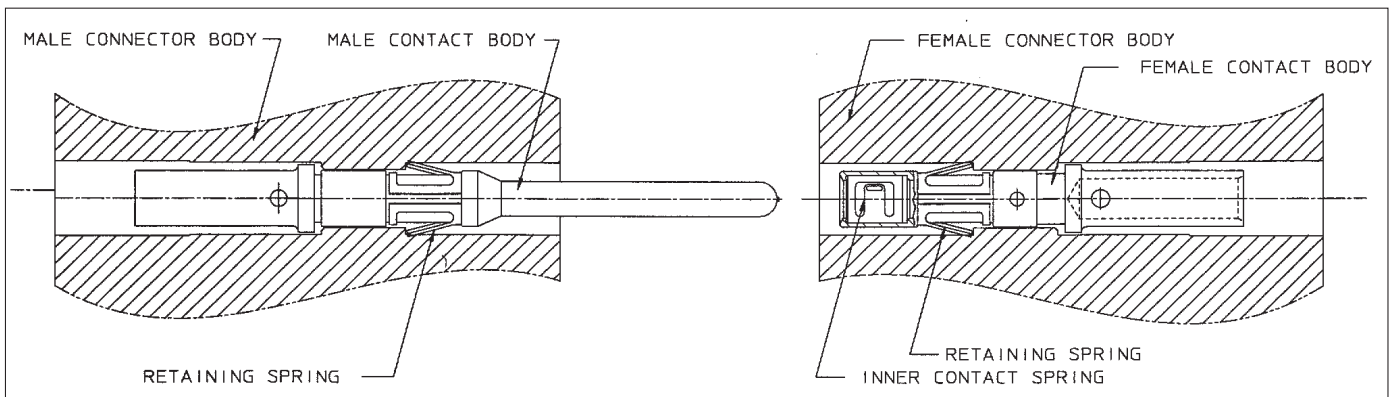


## Special RM / RC contacts: Contact size 16 - Pin diameter 1.57mm (.062")



| Pin contacts | Part number |                 | Fig. | code        | wire size |                 | Post cross section<br>A cavity | Length out of<br>TRIM TRIO<br>part number | Anti-rotating<br>bushing |
|--------------|-------------|-----------------|------|-------------|-----------|-----------------|--------------------------------|---|--------------------------|
|              | Fig.        | Socket contacts |      |             | AWG       | mm <sup>2</sup> |                                |   |                          |
| RM16SEOK     | 1           | RC16SE4K        | 2    | Handsolder  | 16 - 20   | 1.50 - 0.52     | ø1.7                           | 3.5                                       | -                        |
| RM20M12G4K   | 3           | RC20M12G4K      | 4    | Mini - wrap | 28 - 30   | 0.08 - 0.05     | ø 0.636                        | 16.0                                      | J1661                    |
| RM20M12E8K   | 7           | RC20M12E8K      | 8    | Dipsolder   | -         | -               | ø 0.9                          | 5.2                                       | -                        |
|              |             | RC20M12E83K     | 9    | Dipsolder   | -         | -               | ø 0.9                          | 10.4                                      | -                        |
|              |             | RC20M12384K     | 10   | Dipsolder   | -         | -               | ø 0.9                          | 13.9                                      | -                        |

## The RM/RC contact principle



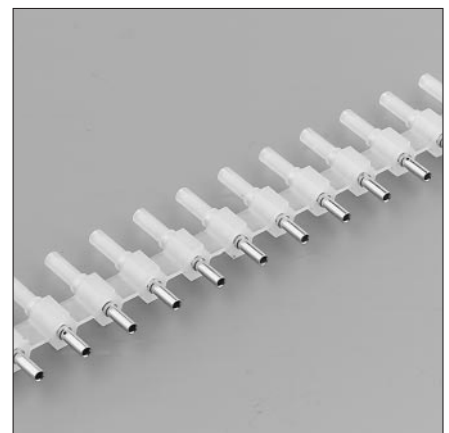
## The RM/RC contact packing



50 pcs bulk packing (standard)



1000 pcs bulk packing



Reeled contacts on plastic carrier (qty 2000 pcs)