

Tyco/Electronics

Raychem Circuit Protection
308 Constitution Drive
Menlo Park, CA 94025
800-227-4856
FAX 800-227-4866

**PolySwitch®
PTC Devices**

Overcurrent Protection Device

PRODUCT: RHE600

DOCUMENT: SCD 24258
PCN: 626189
REV LETTER: F
REV DATE: OCTOBER 8, 2001
PAGE NO.: 1 OF 1

Specification Status: RELEASED

Electrical Rating

Voltage: 16V MAX
Current: 100A MAX

INSULATING MATERIAL:

Cured, Flame Retarded Epoxy Polymer

LEAD MATERIAL:

20 AWG Tin/Lead Plated Copper
(0.8 mm [0.032] nom. diameter)

PART MARKING:

- Raychem Logo and Voltage
- Part Identification
- Lot Identification (can be on back)

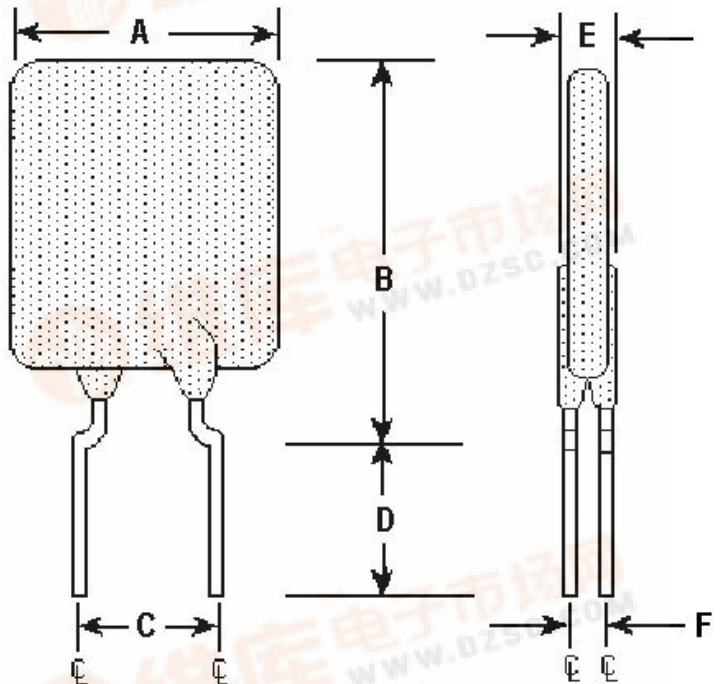


TABLE I. DIMENSIONS:

	A		B		C		D		E		F
	MIN	MAX	MIN	MAX	MIN	MAX	MIN	MAX	MIN	MAX	TYP
mm:	--	11.2	--	21.0	4.3	5.8	7.6	--	--	3.0	1.2
in*:	--	(0.44)	--	(0.83)	(0.17)	(0.23)	(0.30)	--	--	(0.12)	(0.05)

*Rounded off approximation

TABLE II. PERFORMANCE RATINGS:

I HOLD	CURRENT RATINGS						TIME TO TRIP	RESISTANCE		TRIPPED-STATE POWER DISSIPATION
	AMPS 25°C HOLD		AMPS AT 0°C HOLD		AMPS AT 25°C TRIP		SECONDS AT 25°C, 30 A MAX	OHMS AT 25°C		WATTS AT 25°C TYP
	HOLD	TRIP	HOLD	TRIP	HOLD	TRIP		MIN	MAX	
6.00	--	--	6.0	10.8	--	--	5.0	0.013	0.032	4.1

Recognitions:

UL, TUV, CSA recognized.

Reference Documents:

PS300

Precedence:

This specification takes precedence over documents referenced herein.

Effectivity:

Reference documents shall be the issue in effect on the date of invitation for bid.

CAUTION:

Operation beyond the rated voltage or current may result in rupture, electrical arcing or flame.

