

Tyco/Electronics

Raychem Circuit Protection
308 Constitution Drive
Menlo Park, CA 94025-1164
800-227-4856
FAX 800-227-4866

PolySwitch®
PTC Devices
Overcurrent Protection Device

PRODUCT: RHE1300

DOCUMENT: SCD 24263
PCN: 194113
REV LETTER: F
REV DATE: OCTOBER 8, 2001
PAGE NO.: 1 OF 1

Specification Status: RELEASED

Electrical Rating

Voltage: 16V_{DC} MAX
Current: 100A MAX

INSULATING MATERIAL:

Cured, Flame Retarded Epoxy Polymer
meets UL94 V-0 Requirements

LEAD MATERIAL:

18 AWG Tin/Lead Plated Copper

PART MARKING:

- Raychem Logo and Voltage
- X 16
- H13 — Part Identification
- Lot Identification (can be on back)

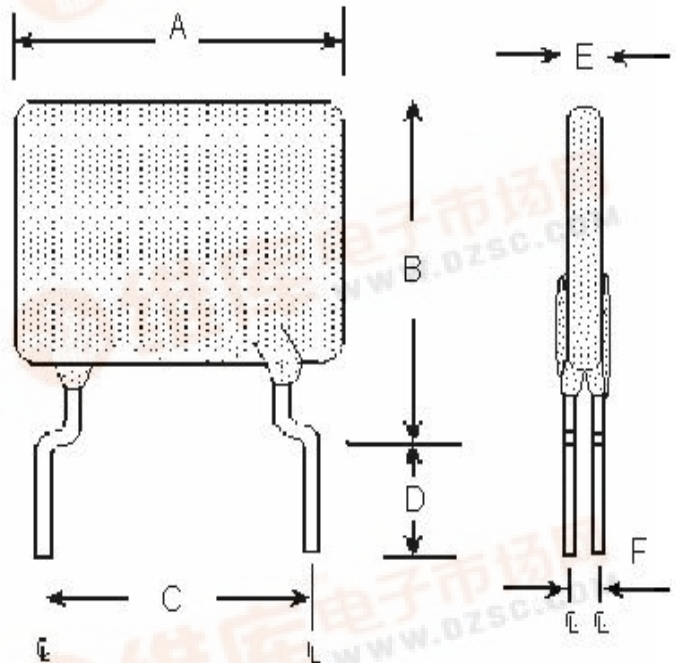


TABLE I. DIMENSIONS:

	A		B		C		D		E		F
	MIN	MAX	MIN	MAX	MIN	MAX	MIN	MAX	MIN	MAX	TYP
mm:	--	23.5	--	28.7	9.4	10.9	7.6	--	--	3.6	1.4
in*:	--	(0.925)	--	(1.13)	(0.37)	(0.43)	(0.30)	--	--	(0.14)	(0.06)

*Rounded off approximation

TABLE II. PERFORMANCE RATINGS:

I HOLD	CURRENT RATINGS						TIME TO TRIP	RESISTANCE		TRIPPED-STATE POWER DISSIPATION
	AMPS AT 0°C		AMPS AT 25°C		AMPS AT 60°C		SECONDS AT 25°C, 65A MAX	OHMS AT 25°C		WATTS AT 25°C, 16V TYP
	HOLD	TRIP	HOLD	TRIP	HOLD	TRIP		MIN	MAX	
13.0	--	--	13.0	24.0	--	--	13.0	0.0041	0.0100	6.9

Recognitions:

Reference Documents:

Precedence:

Effectivity:

CAUTION:

UL, TUV, CSA recognized.

PS300

This specification takes precedence over documents referenced herein.

Reference documents shall be the issue in effect on the date of invitation for bid.

Operation beyond the rated voltage or current may result in rupture, electrical arcing or flame.

