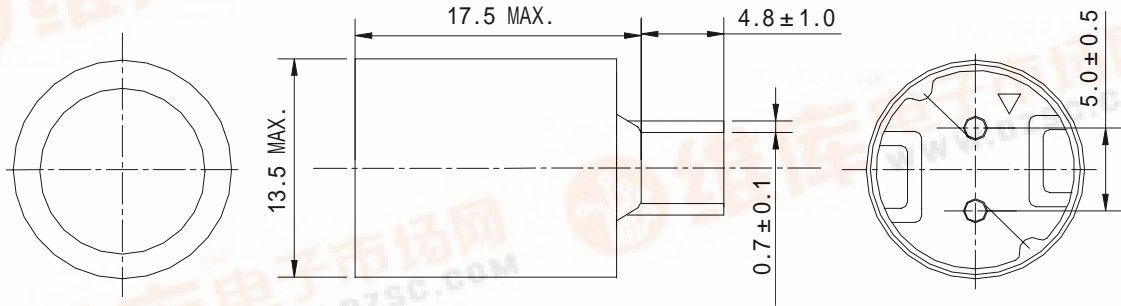


仕様書

形名
RCP1317

1. 外形

1-1. 寸法図(mm)



* 端子の寸法は、はんだつららを除く。

* 端子のピッチは、端子根元での寸法。

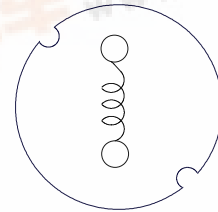
1-2. 捺印表示例



RoHS
compliance
Cd: Max. 0.01wt%
others: Max. 0.1wt%

2. コイル仕様

2-1. 端子接続図(裏面図)



2-2. 電気的特性

| NO. | 品名 | 表示 | インダクタンス <以内> 1 | D.C.R.() <以下> (at 20) 2 | 直流重畳許容電流(A) 3 | | 温度上昇許容電流(A) 4 | スミダコード |
|-----|----------------|-----|----------------------|------------------------------------|------------------|-----------|------------------|--------|
| | | | | | (at 20) | (at 100) | | |
| 01 | RCP1317NP-33ØM | 330 | 33 µH ± 20% | 58m (46m) | 4.80 | 4.40 | 3.60 | -0005 |
| 02 | RCP1317NP-47ØM | 470 | 47 µH ± 20% | 69m (55m) | 4.30 | 3.80 | 3.30 | -0006 |
| 03 | RCP1317NP-68ØM | 680 | 68 µH ± 20% | 101m (81m) | 3.30 | 3.00 | 2.60 | -0007 |
| 04 | RCP1317NP-82ØM | 820 | 82 µH ± 20% | 110m (88m) | 3.10 | 2.70 | 2.50 | -0008 |
| 05 | RCP1317NP-1Ø1M | 101 | 100 µH ± 20% | 125m (100m) | 2.80 | 2.50 | 2.30 | -0009 |

仕様書

形名
RCP1317

| NO. | 品名 | 表示 | インダクタンス <以内> 1 | D.C.R.() <以下> (at 20) 2 | 直流重畳許容電流(A) 3 | | 温度上昇許容電流(A) 4 | スミダ コード |
|-----|-----------------------|-----|-----------------------|------------------------------------|------------------|-----------|------------------|------------|
| | | | | | (at 20) | (at 100) | | |
| 06 | RCP1317NP-121L | 121 | 120 μ H \pm 15% | 139m (116m) | 2.60 | 2.30 | 2.20 | -0010 |
| 07 | RCP1317NP-151L | 151 | 150 μ H \pm 15% | 195m (156m) | 2.40 | 2.10 | 1.90 | -0011 |
| 08 | RCP1317NP-181L | 181 | 180 μ H \pm 15% | 213m (171m) | 2.20 | 1.80 | 1.80 | -0012 |
| 09 | RCP1317NP-221L | 221 | 220 μ H \pm 15% | 278m (223m) | 1.90 | 1.70 | 1.60 | -0013 |
| 10 | RCP1317NP-271L | 271 | 270 μ H \pm 15% | 0.33 (0.26) | 1.70 | 1.60 | 1.55 | -0014 |
| 11 | RCP1317NP-331L | 331 | 330 μ H \pm 15% | 0.36 (0.29) | 1.60 | 1.40 | 1.50 | -0015 |
| 12 | RCP1317NP-391L | 391 | 390 μ H \pm 15% | 0.44 (0.35) | 1.45 | 1.28 | 1.30 | -0016 |
| 13 | RCP1317NP-471L | 471 | 470 μ H \pm 15% | 0.53 (0.42) | 1.35 | 1.17 | 1.15 | -0017 |
| 14 | RCP1317NP-561L | 561 | 560 μ H \pm 15% | 0.59 (0.47) | 1.25 | 1.05 | 1.10 | -0018 |
| 15 | RCP1317NP-681L | 681 | 680 μ H \pm 15% | 0.78 (0.62) | 1.12 | 0.95 | 1.00 | -0019 |
| 16 | RCP1317NP-821L | 821 | 820 μ H \pm 15% | 0.95 (0.76) | 1.02 | 0.85 | 0.85 | -0020 |
| 17 | RCP1317NP-1 ϕ 2L | 102 | 1.0mH \pm 15% | 1.18 (0.94) | 0.90 | 0.70 | 0.82 | -0021 |
| 18 | RCP1317NP-122L | 122 | 1.2mH \pm 15% | 1.28 (1.07) | 0.80 | 0.65 | 0.74 | -0022 |
| 19 | RCP1317NP-152L | 152 | 1.5mH \pm 15% | 1.40 (1.16) | 0.72 | 0.60 | 0.72 | -0023 |
| 20 | RCP1317NP-182L | 182 | 1.8mH \pm 15% | 2.00 (1.70) | 0.68 | 0.56 | 0.58 | -0024 |
| 21 | RCP1317NP-222L | 222 | 2.2mH \pm 15% | 2.28 (1.90) | 0.62 | 0.52 | 0.52 | -0025 |
| 22 | RCP1317NP-272L | 272 | 2.7mH \pm 15% | 3.07 (2.56) | 0.58 | 0.50 | 0.48 | -0026 |
| 23 | RCP1317NP-332L | 332 | 3.3mH \pm 15% | 3.31 (2.76) | 0.51 | 0.45 | 0.45 | -0027 |
| 24 | RCP1317NP-392L | 392 | 3.9mH \pm 15% | 4.52 (3.77) | 0.47 | 0.42 | 0.42 | -0028 |
| 25 | RCP1317NP-472L | 472 | 4.7mH \pm 15% | 5.02 (4.18) | 0.43 | 0.37 | 0.37 | -0029 |

1 測定周波数 インダクタンス at 1kHz

2 ()内は、標準値とする。

3 直流重畳許容電流：直流重畳特性について、インダクタンスが初期値より65%となる電流値。

4 温度上昇許容電流：通電時、コイルの温度上昇が $T=40$ になる電流値。(Ta=20 を基準とする。)

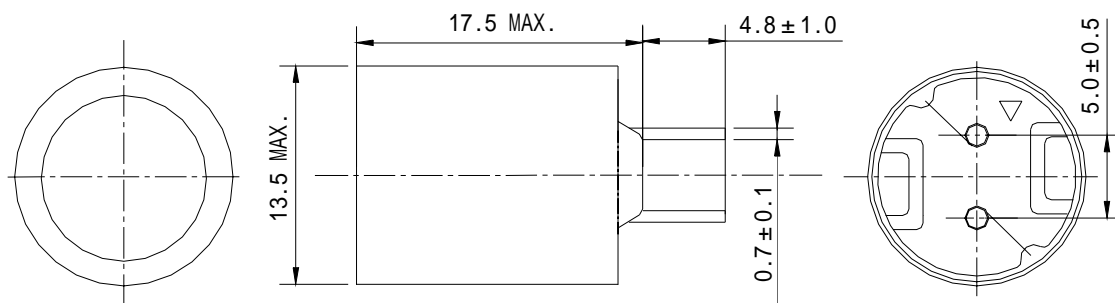
- 3 . 保存温度範囲 - 40 ~ +100
 使用温度範囲 - 40 ~ +100 (コイルの発熱を含む。)

SPECIFICATION

| |
|-----------------|
| TYPE RCP1317 |
|-----------------|

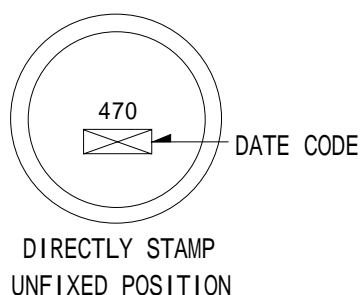
1 . APPEARANCE

1-1 . DIMENSIONS(mm)



- * DIMENSION DOES NOT INCLUDE SOLDER USED ON COIL.
- * PIN PITCH SHALL BE MEASURED AT THE ROOT OF TERMINAL

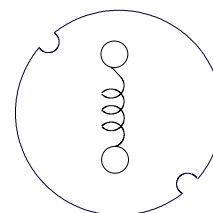
1-2 . STAMP (E.G.)



| |
|---|
| <p>RoHS compliance Cd:Max.0.01wt% others:Max.0.1wt%</p> |
|---|

2 . COIL SPECIFICATION

2-1 . CONNECTION (BOTTOM VIEW)



2-2 . ELECTRICAL CHARACTERISTICS

| NO. | PART NO. | STAMP | INDUCTANCE <WITHIN> 1 | D.C.R.() <MAX.> (at 20) 2 | DC SUPERPOSITION PERMISSION CURRENT 3 | | TEMPERATURE RISE PERMISSION CURRENT (A) 4 | SUMIDA CODE |
|-----|----------------|-------|-----------------------------|--------------------------------------|---|-----------|--|----------------|
| | | | | | (at 20) | (at 100) | | |
| 01 | RCP1317NP-33ØM | 330 | 33 μH ± 20% | 58m (46m) | 4.80 | 4.40 | 3.60 | |
| 02 | RCP1317NP-47ØM | 470 | 47 μH ± 20% | 69m (55m) | 4.30 | 3.80 | 3.30 | |
| 03 | RCP1317NP-68ØM | 680 | 68 μH ± 20% | 101m (81m) | 3.30 | 3.00 | 2.60 | |
| 04 | RCP1317NP-82ØM | 820 | 82 μH ± 20% | 110m (88m) | 3.10 | 2.70 | 2.50 | |
| 05 | RCP1317NP-1Ø1M | 101 | 100 μH ± 20% | 125m (100m) | 2.80 | 2.50 | 2.30 | |

SPECIFICATION

| |
|-----------------|
| TYPE RCP1317 |
|-----------------|

2-2 . ELECTRICAL CHARACTERISTICS

| NO. | PART NO. | STAMP | INDUCTANCE <WITHIN> 1 | D.C.R.() <MAX.> (at 20) 2 | DC SUPERPOSITION PERMISSION CURRENT 3 | | TEMPERATURE RISE PERMISSION CURRENT (A) 4 | SUMIDA CODE |
|-----|----------------------------|-------|-----------------------------|--------------------------------------|---|-----------|--|----------------|
| | | | | | (at 20) | (at 100) | | |
| 06 | RCP1317NP-121L | 121 | 120 μ H \pm 15% | 139m (116m) | 2.60 | 2.30 | 2.20 | |
| 07 | RCP1317NP-151L | 151 | 150 μ H \pm 15% | 195m (156m) | 2.40 | 2.10 | 1.90 | |
| 08 | RCP1317NP-181L | 181 | 180 μ H \pm 15% | 213m (171m) | 2.20 | 1.80 | 1.80 | |
| 09 | RCP1317NP-221L | 221 | 220 μ H \pm 15% | 278m (223m) | 1.90 | 1.70 | 1.60 | |
| 10 | RCP1317NP-271L | 271 | 270 μ H \pm 15% | 0.33 (0.26) | 1.70 | 1.60 | 1.55 | |
| 11 | RCP1317NP-331L | 331 | 330 μ H \pm 15% | 0.36 (0.29) | 1.60 | 1.40 | 1.50 | |
| 12 | RCP1317NP-391L | 391 | 390 μ H \pm 15% | 0.44 (0.35) | 1.45 | 1.28 | 1.30 | |
| 13 | RCP1317NP-471L | 471 | 470 μ H \pm 15% | 0.53 (0.42) | 1.35 | 1.17 | 1.15 | |
| 14 | RCP1317NP-561L | 561 | 560 μ H \pm 15% | 0.59 (0.47) | 1.25 | 1.05 | 1.10 | |
| 15 | RCP1317NP-681L | 681 | 680 μ H \pm 15% | 0.78 (0.62) | 1.12 | 0.95 | 1.00 | |
| 16 | RCP1317NP-821L | 821 | 820 μ H \pm 15% | 0.95 (0.76) | 1.02 | 0.85 | 0.85 | |
| 17 | RCP1317NP-1 \emptyset 2L | 102 | 1.0mH \pm 15% | 1.18 (0.94) | 0.90 | 0.70 | 0.82 | |
| 18 | RCP1317NP-122L | 122 | 1.2mH \pm 15% | 1.28 (1.07) | 0.80 | 0.65 | 0.74 | |
| 19 | RCP1317NP-152L | 152 | 1.5mH \pm 15% | 1.40 (1.16) | 0.72 | 0.60 | 0.72 | |
| 20 | RCP1317NP-182L | 182 | 1.8mH \pm 15% | 2.00 (1.70) | 0.68 | 0.56 | 0.58 | |
| 21 | RCP1317NP-222L | 222 | 2.2mH \pm 15% | 2.28 (1.90) | 0.62 | 0.52 | 0.52 | |
| 22 | RCP1317NP-272L | 272 | 2.7mH \pm 15% | 3.07 (2.56) | 0.58 | 0.50 | 0.48 | |
| 23 | RCP1317NP-332L | 332 | 3.3mH \pm 15% | 3.31 (2.76) | 0.51 | 0.45 | 0.45 | |
| 24 | RCP1317NP-392L | 392 | 3.9mH \pm 15% | 4.52 (3.77) | 0.47 | 0.42 | 0.42 | |
| 25 | RCP1317NP-472L | 472 | 4.7mH \pm 15% | 5.02 (4.18) | 0.43 | 0.37 | 0.37 | |

1: MEASURED FREQUENCY INDUCTANCE : at 1 kHz

2 () TYPICAL VALUE.

3: DC SUPERPOSITION PERMISSION CURRENT: THE VALUE OF D.C. CURRENT WHEN THE INDUCTANCE IS OVER 65% OF THE INITIAL VALUE.

4: TEMPERATURE RISE PERMISSION CURRENT: THE DC CURRENT WHEN COIL ' S SELF TEMPERATURE RISE IS 40 .
(Ta=20)

3 . STORAGE TEMPERATURE RANGE : - 40 ~ + 100

OPERATING TEMPERATURE RANGE: - 40 ~ + 100 (INCLUDING SELF TEMPERATURE RISE)