

Photo IC

Panasonic

PN7103

Bipolar Integrated Circuit with Photodetection Function

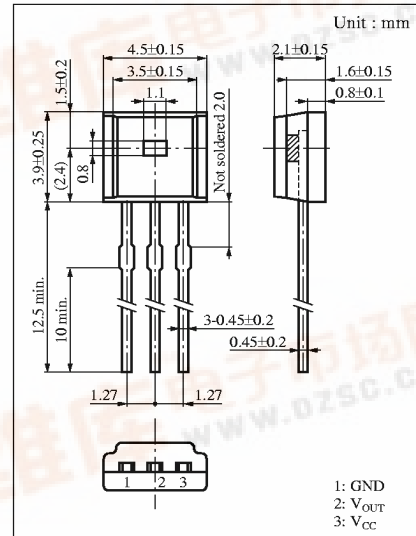
For photoelectric sensor systems

Features

- Built-in amplifier circuit
- Small plastic package (flat type)

Absolute Maximum Ratings (Ta = 25°C)

Parameter	Symbol	Ratings	Unit
Power supply voltage	V _{CC}	+15	V
Operating supply voltage responsivity	V _C	+3.0 to +3.5	V
Power dissipation	P _D	100	mW
Operating ambient temperature	T _{opr}	-25 to +85	°C
Storage temperature	T _{stg}	-40 to +100	°C



Electro-Optical Characteristics (V_{CC} = 3.2V, R_L = 5.1kΩ, Ta = 25°C ± 3°C)

Parameter	Symbol	Conditions	min	typ	max	Unit
Current consumption without incident light	I _{CC}			1.4	2.2	mA
Photoelectric sensitivity (AC)	A	λ = 780nm	144	180	216	V/mW
		λ = 950nm		200		
Output noise voltage without signal	V _{ON}			0.9		mVrms

