



PMMAD SERIES

LOW CAPACITANCE STEERING DIODE ARRAYS

APPLICATIONS

- ✓ High Frequency Data Lines
- ✓ RS-232 & RS-422 Interface Networks
- ✓ Ethernet: 10 Base T
- ✓ Computer I/O Ports

IEC COMPATIBILITY (EN61000-4)

- ✓ 61000-4-2 (ESD): Air - 15kv, Contact - 8kv
- ✓ 61000-4-4 (EFT): 40A - 5/50ns
- ✓ 61000-4-5 (Surge): 24A, 8/20 μ s - Level 2(Line-Gnd) & Level 3(Line-Line)

FEATURES

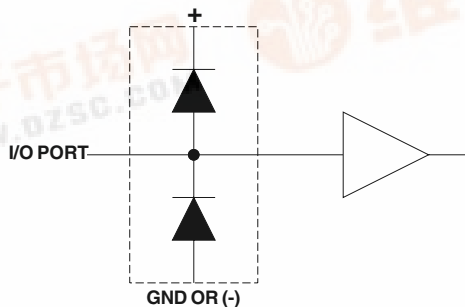
- ✓ 500 Milliwatt Continuous Power Dissipation
- ✓ ESD Protection > 40 kilovolts
- ✓ Designed for I/O Protection
- ✓ Working Voltage > 50 Volts
- ✓ **LOW CAPACITANCE 5pF PER DIODE**

MECHANICAL CHARACTERISTICS

- ✓ Molded JEDEC SO-14 Package
- ✓ Weight 0.15 grams (Approximate)
- ✓ Flammability Rating UL 94V-0
- ✓ 16mm Tape and Reel Per EIA Standard 481-1-A
- ✓ Marking: Logo, Part Number & Pin Number 1 Indicated By DOT on Top of Package



CIRCUIT DIAGRAM

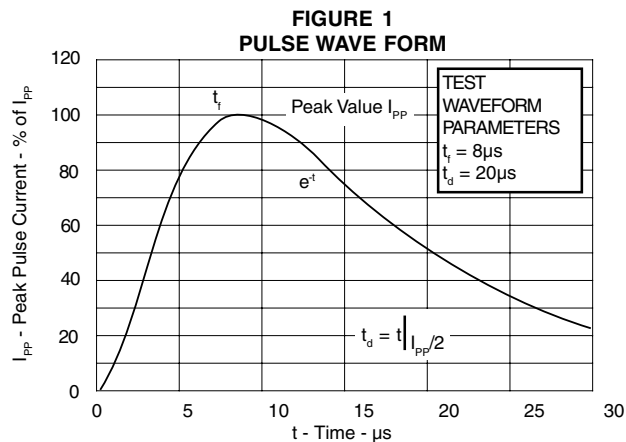


DEVICE CHARACTERISTICS

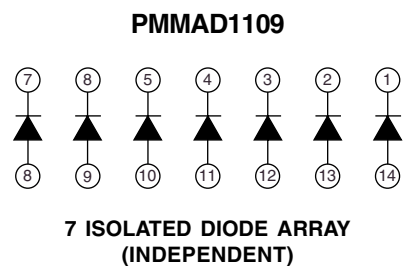
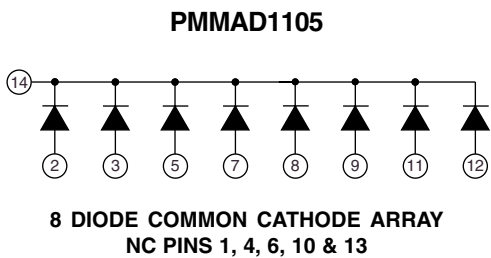
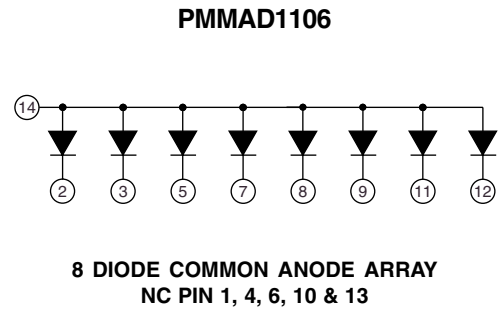
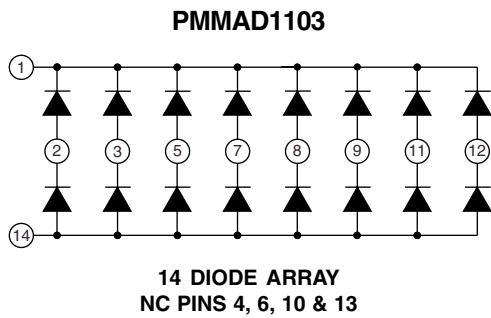
MAXIMUM RATINGS @ 25°C Unless Otherwise Specified			
PARAMETER	SYMBOL	VALUE	UNITS
Continuous Power Dissipation	P_{PK}	500	Milliwatts
Continuous Forward Current (Single Diode)	I_F	400	mA
Repetitive Peak Forward Current @ $t_p=5\mu s, F=50kHz$	I_{FRM}	700	mA
Operating Temperature	T_J	-55°C to 150°C	°C
Storage Temperature	T_{STG}	-55°C to 150°C	°C

ELECTRICAL CHARACTERISTICS PER LINE @ 25°C Unless Otherwise Specified					
PART NUMBER	REPETITIVE PEAK PULSE VOLTAGE @ 10 μA V_{RRM} VOLTS	MAXIMUM REVERSE LEAKAGE CURRENT @ 40V I_R μA	FORWARD PEAK PULSE CURRENT @ 8/20 μs I_{FM} AMPS	MAXIMUM FORWARD VOLTAGE @ 100mA V_F VOLTS	MAXIMUM CAPACITANCE (Per Diode) @ 4V, 1 MHz pF
See Note 1	50	0.1	40	1.2	5

Note 1: Device types include: PMMAD1103, PMMAD1105, PMMAD1106 and PMMAD1109. Electrical characteristics apply to all device types.

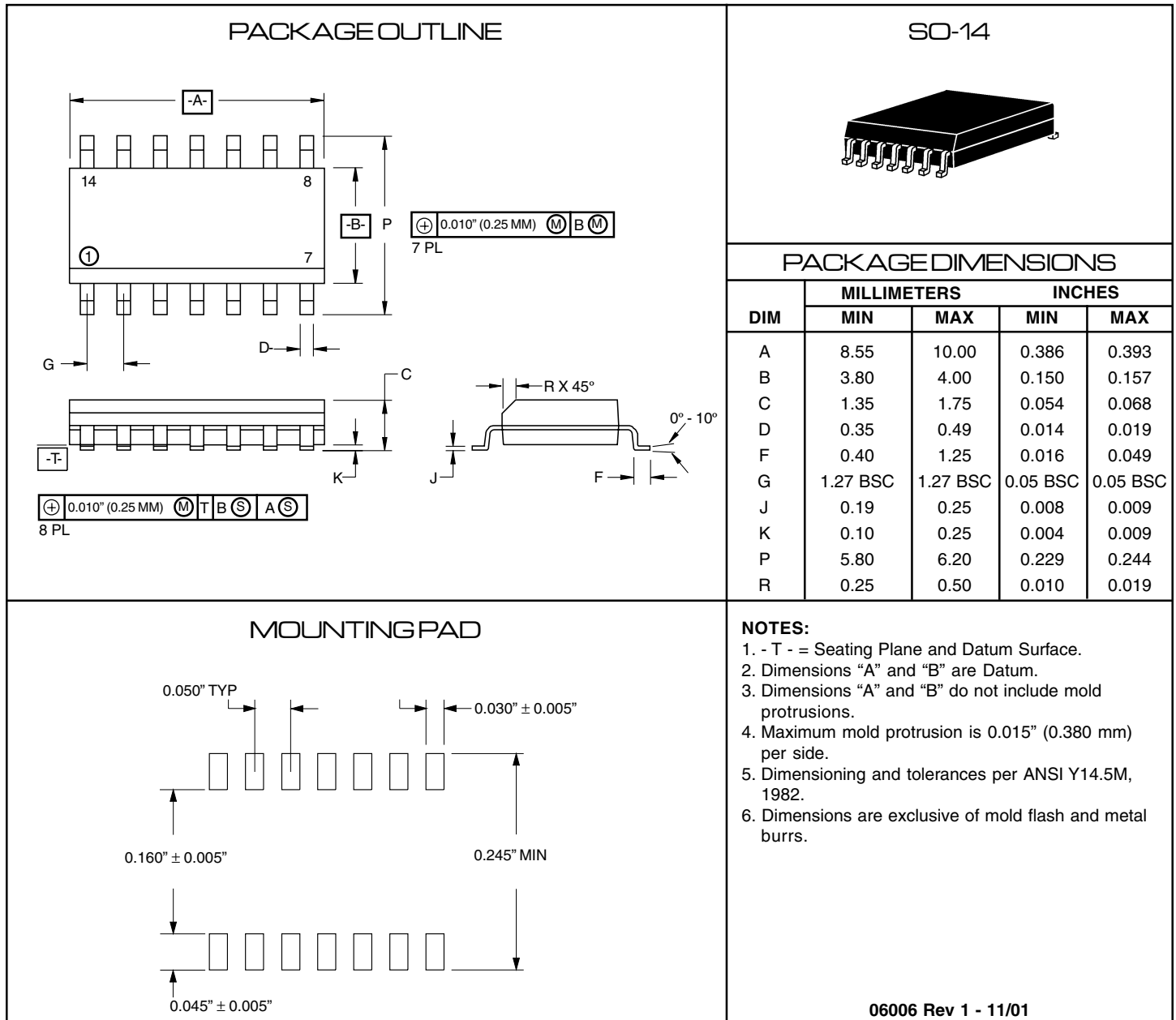


PIN CONFIGURATIONS



PMMAD SERIES

PACKAGE OUTLINE & DIMENSIONS



TAPE & REEL PACKAGING:

Surface mount product is taped and reeled in accordance with EIA-481, reel quantities and sizes are as follows:

7 Inch Reel - 1,000 pieces per reel; 13 Inch Reel - 2,500 pieces per reel

COPYRIGHT © ProTek Devices 2001

SPECIFICATIONS: ProTek reserves the right to change the electrical and or mechanical characteristics described herein without notice (except JEDEC).

DESIGN CHANGES: ProTek reserves the right to discontinue product lines without notice, and that the final judgement concerning selection and specifications is the buyer's and that in furnishing engineering and technical assistance, ProTek assumes no responsibility with respect to the selection or specifications of such products.

Protek Devices

2929 South Fair Lane, Tempe, AZ 85282

Tel: 602-431-8101 Fax: 602-431-2288

E-Mail: sales@protekdevices.com

Web Site: www.protekdevices.com