

CONDUCTIVE POLYMER ALUMINUM SOLID ELECTROLYTIC CAPACITORS

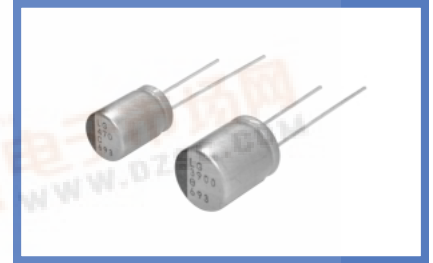
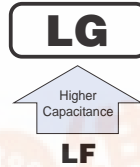
nichicon

LG series Radial Lead Type, Higher Capacitance



NEW

- Higher Capacitance, Low ESR, High ripple current.
- Load life of 2000 hours at 105°C.
- Radial lead type :
Lead free flow soldering condition correspondence
- Adapted to the RoHS directive (2002/95/EC).



Specifications

Item	Performance Characteristics		
Category Temperature Range	-55 to +105°C		
Rated Voltage Range	2.5 to 16V		
Rated Capacitance Range	330 to 3900µF		
Capacitance Tolerance	± 20% at 120Hz, 20°C		
tan δ	Not more than value of Standard ratings at 120Hz, 20°C		
ESR (*1)	Not more than value of Standard ratings at 100kHz, 20°C		
Leakage Current (*2)	Not more than value of Standard ratings. After 2 minute's application of rated voltage. 20°C		
Characteristics of Temperature Impedance Ratio	Z+105°C / Z+20°C ≤ 1.25 (100kHz) Z-55°C / Z+20°C ≤ 1.25		
Endurance	After 2000 hours' application of rated voltage at 105°C, capacitors meet the specified value for life characteristics listed at right.	Capacitance change	Within ± 20% of initial value (*3)
		tan δ	150% or less of the initial specified value
		ESR (*1)	150% or less of the initial specified value
		Leakage current (*2)	Initial specified value or less
Damp Heat	After 1000 hours' application of rated voltage at 60°C 90%RH, capacitors meet the specified value for life characteristics listed at right.	Capacitance change	Within ± 20% of initial value (*3)
		tan δ	150% or less of the initial specified value
		ESR (*1)	150% or less of the initial specified value
		Leakage current (*2)	Initial specified value or less
Resistance to Soldering Heat	To comply with recommended conditions for reflow soldering. Pre-heating shall be done at 150 to 200°C and for 60 to 180 sec. Peak temp. is 265°C, within 10 sec. Measurement for solder temperature profile shall be made at a point on the terminal nearest where the terminals protrude through the soldering side of PC board.	Capacitance change	Within ± 10% of initial value (*3)
		tan δ	130% or less of the initial specified value
		ESR (*1)	130% or less of the initial specified value
		Leakage current (*2)	Initial specified value or less
Marking	Navy blue print on the case top.		

(*1) ESR measurements should be made at a point on the terminal nearest the end seal of the capacitor.

(*2) Conditioning : If there is doubt about the measured result, measurement should be made again after the rated voltage is applied for 120 minutes at the temperature of 105°C.

(*3) Initial value : The value before test of examination of resistance to soldering.

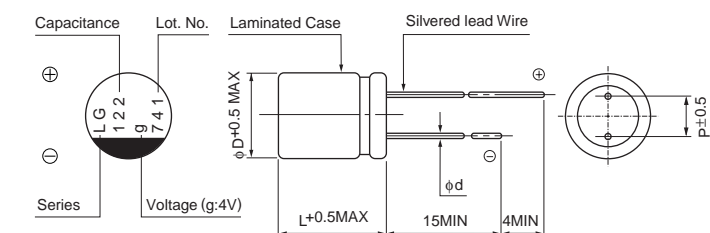


CONDUCTIVE POLYMER ALUMINUM SOLID ELECTROLYTIC CAPACITORS

nichicon

LG series

■ Dimensions



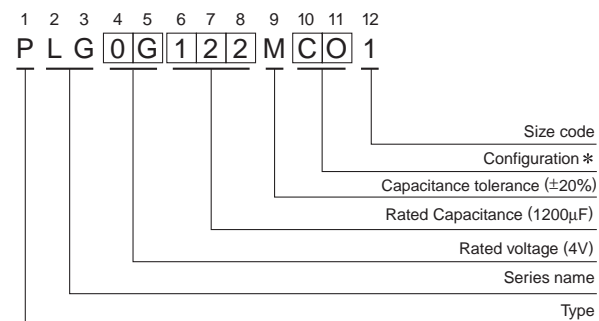
Voltage

V	2.5	4	6.3	10	16
Code	e	g	j	A	C

(mm)

Size	φ8 × 9L	φ8 × 12L	φ10 × 13L
φD	8.0	8.0	10.0
L	8.5	11.5	12.5
P	3.5	3.5	5.0
φd	0.6	0.6	0.6

Type numbering system (Example : 4V 1200μF)



* Configuration

φD × L	Code
8 × 9	CO
8 × 12	DO
10 × 13	DO

■ Standard ratings

Rated Voltage (V) Code	Surge Voltage (V)	Rated Capacitance (μF)	Case Size φD × L (mm)	tan δ	Leakage Current (μA)	ESR (mΩ) (20°C / 100kHz)	Rated ripple (mArms) (105°C / 100kHz)	Code
2.5 (0E)	2.8	1800	8 × 9	0.08	900	9	6000	PLG0E182MCO1
		2200	8 × 12	0.08	1100	8	6700	PLG0E222MDO1
		3900	10 × 13	0.08	1950	8	7000	PLG0E392MDO1
4 (0G)	4.6	1200	8 × 9	0.08	960	9	5900	PLG0G122MCO1
		1800	8 × 12	0.08	1440	9	6500	PLG0G182MDO1
		2700	10 × 13	0.08	2160	8	6900	PLG0G272MDO1
6.3 (0J)	7.2	820	8 × 9	0.08	1033	9	5700	PLG0J821MCO1
		1200	8 × 12	0.08	1512	9	6100	PLG0J122MDO1
		1800	10 × 13	0.08	2268	8	6600	PLG0J182MDO1
10 (1A)	11.5	560	8 × 9	0.08	1120	11	5100	PLG1A561MCO1
		820	8 × 12	0.08	1640	10	5800	PLG1A821MDO1
		1200	10 × 13	0.08	2400	9	6200	PLG1A122MDO1
16 (1C)	18.4	330	8 × 9	0.08	1056	13	4700	PLG1C331MCO1
		470	8 × 12	0.08	1504	11	5400	PLG1C471MDO1
		820	10 × 13	0.08	2624	11	5600	PLG1C821MDO1

Design, Specifications are subject to change without notice.