

INDUCTORS DESIGNED FOR NATIONAL'S 50 KHZ SIMPLE SWITCHER™



- Designed for use with National's device numbers LM2574/LM2575/LM2576
- Base material meets flammability requirements of UL 94V-0
- Performance verified by National Semiconductor

Electrical Specifications @ 20°C Operating Temperature 50 to 150°C

Part Identification		Reference Operating Values ⁽¹⁾			Design Control Values			
Pulse Part Number	Inductor Code	Inductance Typical (μ H)	I _{OC} (Amps)	ET _{OP} (V- μ Sec)	Inductance No-DC ⁽²⁾ (μ H \pm 20%)	DCR (Ω MAX)	Package Style	Lead Diameter
PE-53112	L47	47	3.0	90	38	0.05	KM-2.0	.025
PE-92114K	L88	88	3.0	90	55	0.02	KM-4.0	.040
PE-92108K	L100	100	3.0	90	91	0.04	KM-4.0	.032
PE-53113	L160	160	2.0	90	130	0.10	KM-4.0	.025
PE-52626	L220	220	1.4	90	230	0.38	Low Profile	.025 SQ.
PE-53145	L220	220	1.4	90	176	0.14	KM-3.0	.020
PE-62627	L330	330	0.9	90	302	0.74	Low Profile	.025 SQ.
PE-53148	L330	330	0.9	90	267	0.18	KM-3.0	.020
PE-53114	L470	470	0.64	90	426	0.16	KM-4.0	.025
PE-52629	L680	680	.85	90	657	1.25	Low Profile	.025 SQ.
PE-53115	H150	150	3.0	200	136	0.10	KM-4.0	.025
PE-53116	H220	220	3.0	200	167	0.07	KM-5.0	.032
PE-53117	H330	330	3.0	200	292	0.15	KM-5.0	.025
PE-53118	H470	470	2.0	200	369	0.17	KM-5.0	.025
PE-53119	H680	680	1.3	200	662	0.20	KM-3.0	.025
PE-53120	H1000	1000	0.95	200	782	0.24	KM-5.0	.025
PE-53121	H1500	1500	0.62	200	1150	1.00	Case	.032
PE-53122	H220	2200	0.42	200	1730	1.80	Case	.032

Notes:

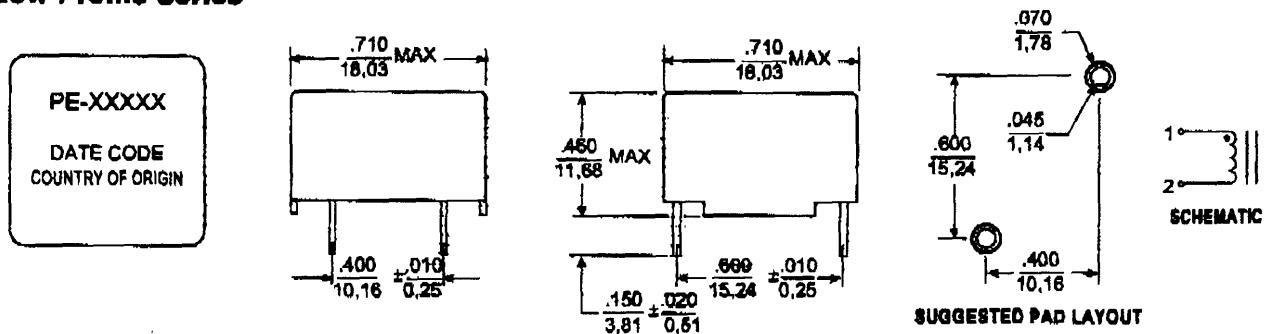
1. Typical inductance occurs at the I_{OC} and ET_{OP} values shown.
2. The control value of inductance is measured at B_{OP} equal to or less than 10 gauss (10 mV @ 20 KHz) without DC current.
3. Inductance decreases with higher values of DC current and increases with lower values of DC current.
4. Inductance increases with increase in B_{OP} or ET_{OP}.
5. SIMPLE SWITCHER™ is a trademark of National Semiconductor Corporation.

INDUCTORS DESIGNED FOR NATIONAL'S 50 KHz SIMPLE SWITCHER™

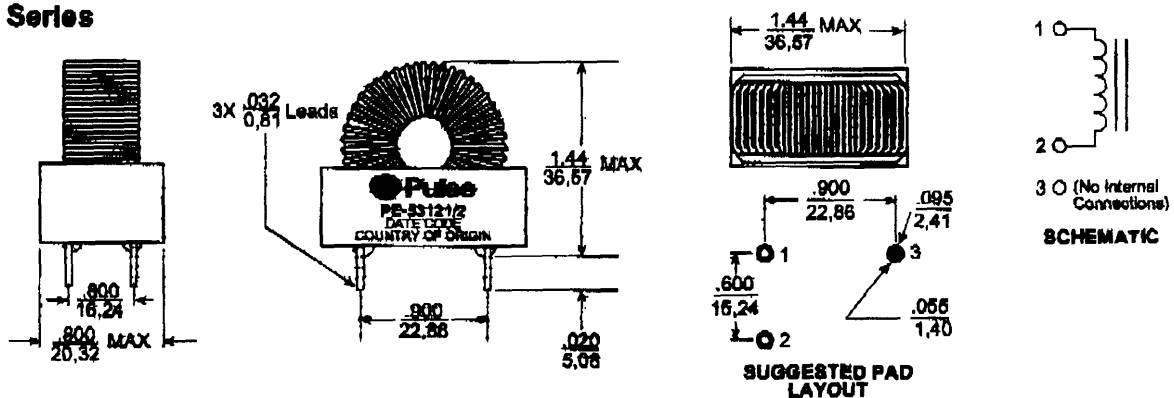


Mechanicals

Low Profile Series



Case Series



KilpMount Series

PKG	A	B	C	D	E	F
KM-2.0	.450 11.43	.850 21.51	.700 17.73	.325 8.26	.150 3.81	.130 3.30
KM-3.0	.450 11.43	.830 21.08	.850 21.43	.415 10.54	.150 3.81	.130 3.30
KM-4.0	.600 15.24	.850 21.43	1.00 25.4	.475 12.07	.225 5.72	.130 3.30
KM-5.0	.700 17.73	1.30 33.02	1.40 35.56	.625 15.88	.250 6.35	.130 3.30

Unless otherwise specified, all tolerances are ± .010
0,26

Dimensions: Inches
mm

