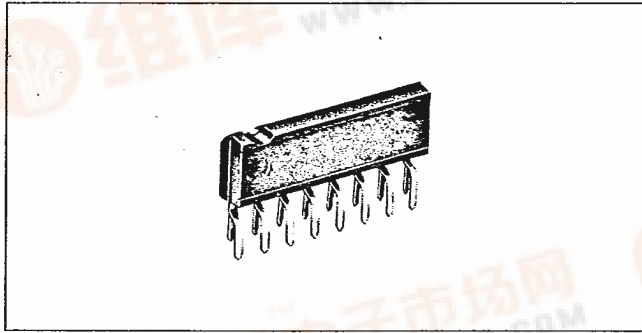


**Fluorescent Display Driver
BA6139**



Dimensions (Unit: mm)

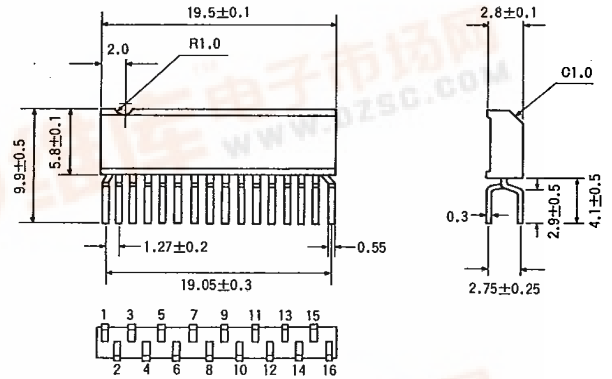


Fig. 1

Pin Connections

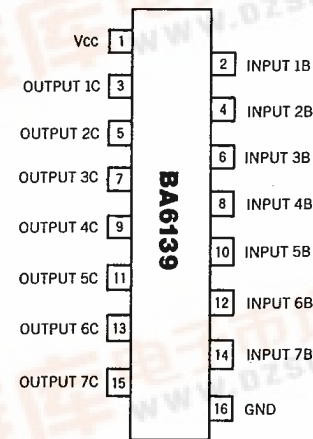


Fig. 2

The BA6139 is a monolithic fluorescent display driver. The device features high maximum and operating voltages of 35 V and 30 V, respectively, and is applicable to various types of fluorescent displays. Coming in a 16-pin LF package, the BA6139 requires minimum board space and increases integration density.

Features

1. High maximum voltage.
2. External resistor gives the user the freedom to choose the desired discharge time constant.
3. Seven channels implemented on a single chip.
4. Available in a 16-pin LF package with the two pin arrays designated separately for inputs and GND, and outputs and V_{CC}. This saves board space and enables easier external connections.

Absolute Maximum Ratings (Ta=25°C)

Parameter	Symbol	Limits	Unit
Supply voltage	V _{CC}	35	V
Power dissipation	P _d	550*	mW
Operating temperature range	T _{opr}	-20 ~ 60	°C
Storage temperature range	T _{stg}	-55 ~ 125	°C

*Derating is done at 5.5mW/°C for operation above Ta=25°C.

Electrical Characteristics (Unless otherwise specified, Ta=25°C, V_{CC}=24V)

Parameter	Symbol	Min.	Typ.	Max.	Unit	Conditions	Test circuit
Supply voltage range	V _{CC}	—	24	30	V	—	Fig. 3
Output high voltage	V _{OH}	22.7	23.0	—	V	I _{IN} = -250μA, R _L = 2.3kΩ Ch1 ~ 7, SW2 ~ 7-ON	Fig. 3
Output low voltage	V _{OL}	—	—	1.0	V	I _{IN} = 0μA, R _L = 100kΩ Ch1 ~ 7, SW1 ~ 7-OFF	Fig. 3
Output current	I _{OUT}	10	—	—	mA	I _{IN} = -250μA, Ch1 ~ 7	Fig. 3

Test Circuit

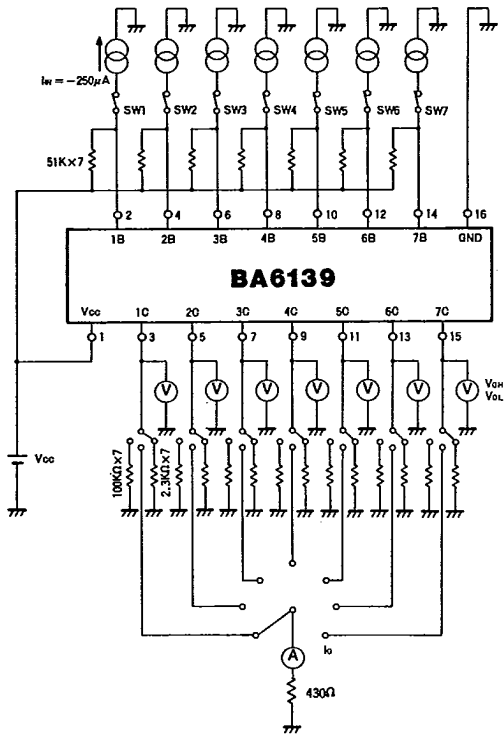


Fig. 3

Application Example

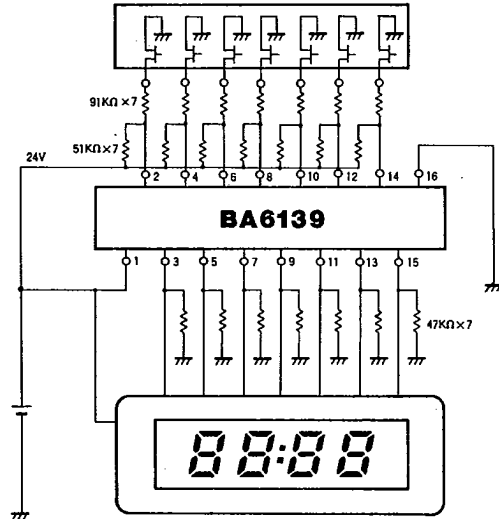


Fig. 4

Circuit Diagram

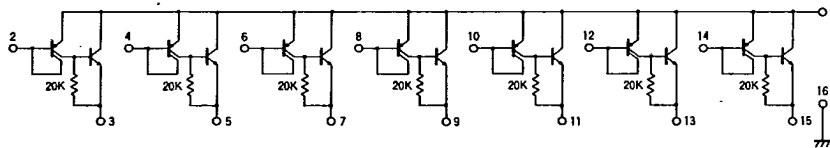


Fig. 5