



# BCD RTD

## 100mA SILICON CARTRIDGE RECTIFIERS

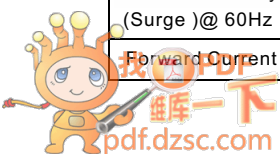
- SMALL SIZE MOLDED PACKAGE
- PRV 8,000 TO 60,000 VOLTS
- FAST RECOVERY (RTD SERIES)
- LOW LEAKAGE



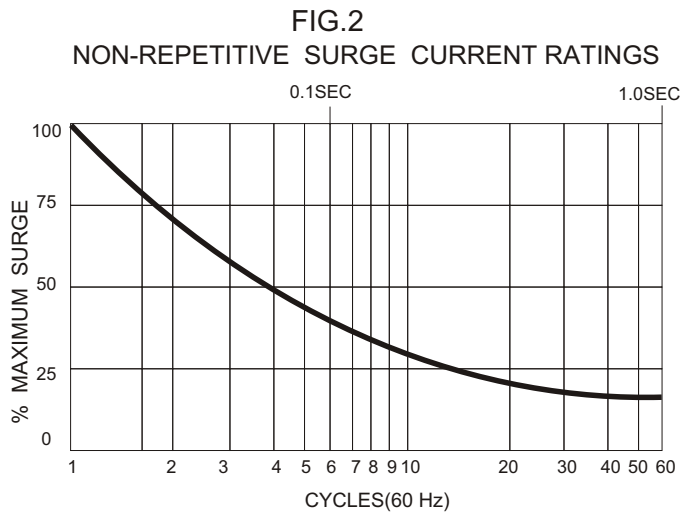
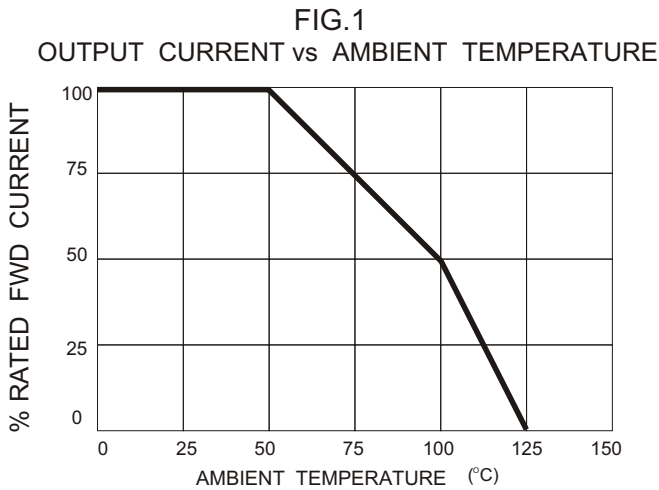
EDI Type Number	Peak Reverse Voltage PRV (Volts)	Max. Forward Voltage Drop at 25 °C And 100 mA VF (Volts)	Length "L" Fig. 3
<b>STANDARD RECOVERY</b>			
BCD08	8,000	13	1.00
BCD10	10,000	13	1.00
BCD12	12,000	13	1.00
BCD15	15,000	20	1.63
BCD20	20,000	26	2.13
BCD25	25,000	33	2.63
BCD30	30,000	40	3.13
BCD35	35,000	46	3.63
BCD40	40,000	53	4.13
BCD45	45,000	60	4.63
BCD50	50,000	66	5.13
BCD60	60,000	73	6.13
<b>200 NANOSECOND RECOVERY (FIG.4)</b>			
RTD08	8,000	20	1.00
RTD10	10,000	20	1.00
RTD12	12,000	20	1.00
RTD15	15,000	30	1.63
RTD20	20,000	40	2.13
RTD25	25,000	50	2.63
RTD30	30,000	60	3.13
RTD35	35,000	70	3.63
RTD40	40,000	80	4.13
RTD45	45,000	90	4.63
RTD50	50,000	100	5.13
RTD60	60,000	110	6.13

ELECTRICAL CHARACTERISTICS (at T <sub>A</sub> =25 °C Unless Otherwise Specified)	BCD SERIES STANDARD RECOVERY
Max. DC Reverse Current @ PRV and 25 °C, I <sub>R</sub>	2 μA
Max. DC Reverse Current @ PRV and 100 °C, I <sub>R</sub>	100 μA
Ambient Operating Temperature Range, T <sub>A</sub>	-55 °C to +125 °C
Storage Temperature Range, T <sub>STG</sub>	-55 °C to +150 °C
Max. One-Half Cycle Surge Current, I <sub>FM</sub> (Surge) @ 60Hz	10 Amps
Forward Current Repetitive Peak, I <sub>FRM</sub>	3 Amps

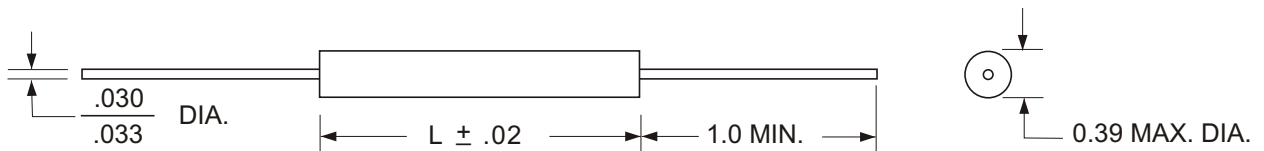
ELECTRICAL CHARACTERISTICS (at T <sub>A</sub> =25 °C Unless Otherwise Specified)	RTD SERIES FAST RECOVERY
Max. DC Reverse Current @ PRV and 25 °C, I <sub>R</sub>	2 μA
Max. DC Reverse Current @ PRV and 100 °C, I <sub>R</sub>	100 μA
Max. Reverse Recovery Time, T <sub>rr</sub> (Fig.4)	200 nanosec
Ambient Operating Temperature Range, T <sub>A</sub>	-55 °C to +125 °C
Storage Temperature Range, T <sub>STG</sub>	-55 °C to +150 °C
Max. One-Half Cycle Surge Current, I <sub>FM</sub> (Surge) @ 60Hz	10 Amps
Forward Current Repetitive Peak, I <sub>FRM</sub>	3 Amps



# BCD RTD



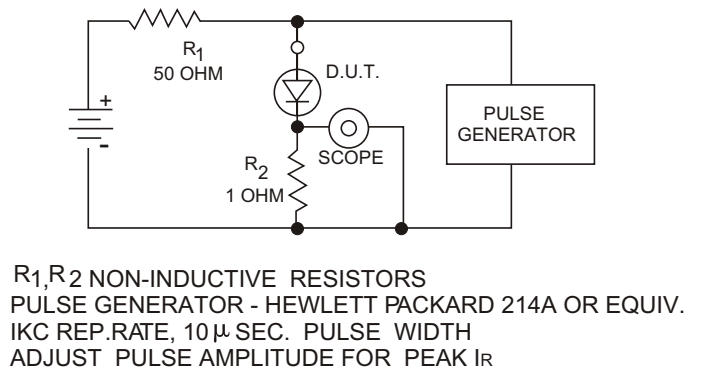
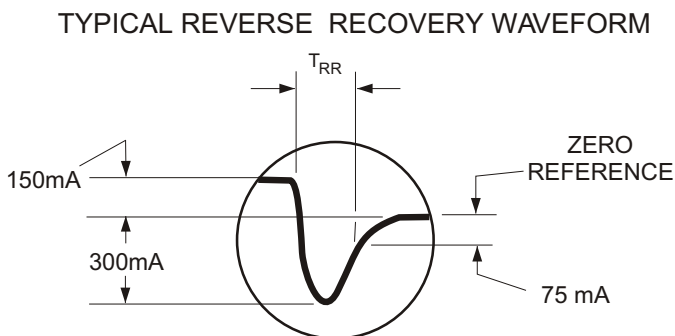
**FIG.3**  
PACKAGE STYLE



ALL DIMENSIONS IN INCHES

Maximum lead and terminal temperature for soldering, 3/8 inch form case, 5 seconds at 250°C

**TEST CIRCUIT**  
**FIG.4**



Reverse recovery time measured on individual rectifiers prior to assembly.