

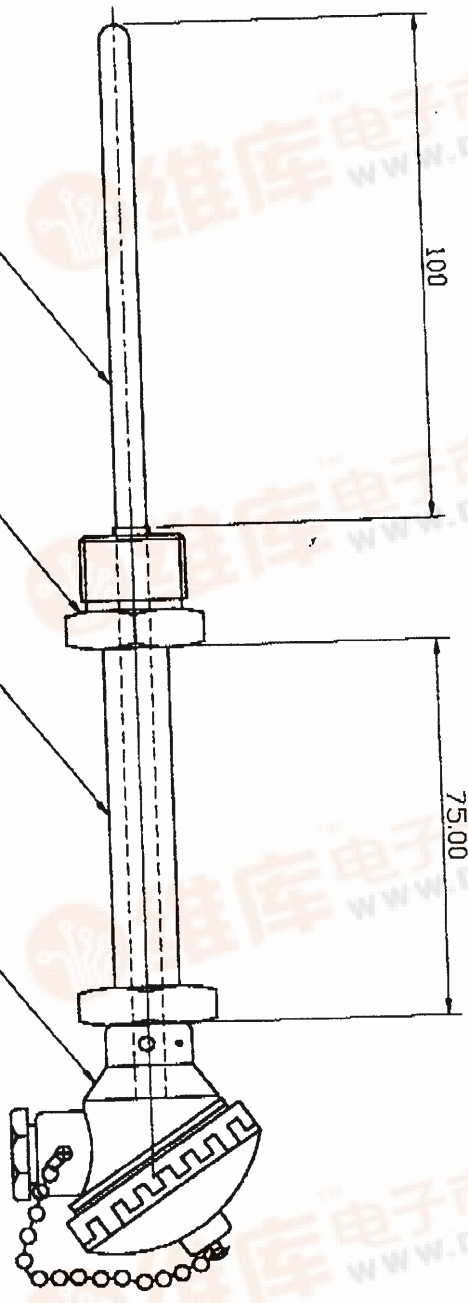
DRAWING No
010012TD

DO NOT SCALE



THIRD ANGLE PROJECTION

IF IN DOUBT ASK



CONTROLLED

| | | | | | | | | | | | |
|---|-------------------|-------|-----|----------|-----------|---|-----------------------------------|-------|---------|----------|--------|
| ISSUE | REASON FOR CHANGE | DRAWN | APP | DATE | MATERIAL: | FINISH: | TITLE: | DRAWN | CHECKED | DATE: | SCALE: |
| A | REFER TO DCN 0003 | J.S.C | | 07.12.98 | N/A | N/A | MI PROCESS SENSOR (100mm LONG) | J.S.C | | 23.11.98 | 1:1 |
| B | REFER TO NDR 0010 | J.S.C | | 23.11.98 | | | | | | | |
| THIS DRAWING REMAINS THE PROPERTY OF LABFACTILITY LIMITED AND MAY NOT BE REPRODUCED WITHOUT OUR PERMISSION | | | | | | | | | | | |
| MATERIAL: N/A FINISH: N/A LABFACTILITY LIMITED, 99 WALDEGRAVE ROAD, EDENHURST, MIDLESEX, TW11 8LR. TEL: 0181 9435331 FAX: 0181 9434355 | | | | | | TOLERANCE: *0.25 UNLESS STATED OTHERWISE. -0.25 DOES NOT APPLY TO ASSY DWGS. FARNELL 725-5603 | | | | | |
| PART NUMBER: FARNELL 725-5603 | | | | | | | | | | | |
| DRAWING No. 010012TD | | | | | | | | | | | |
| SHEET 1 OF 2 SHEETS | | | | | | | | | | | |

