

# High Voltage Rectifiers - Formed Lead

0.8A - 3.5A • 30ns - 70ns • Hermetic

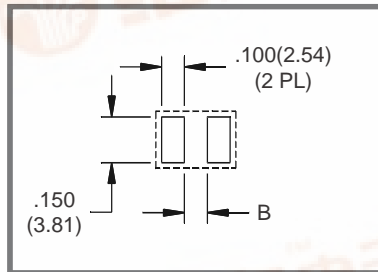
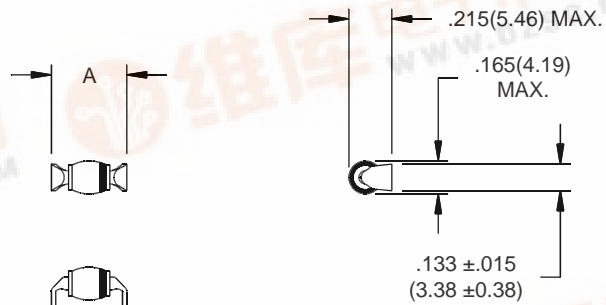
## ELECTRICAL CHARACTERISTICS AND MAXIMUM RATINGS

Part Number	Working Reverse Voltage (Vrwm)	Average Rectified Current (Io)		Reverse Current @ Vrwm (Ir)		Forward Voltage (Vf)		1 Cycle Surge Current tp=8.3ms (Ifsm)	Repetitive Surge Current (Ifrm)	Reverse Recovery Time (3) (Trr)	Thermal Impd. $\theta_{J-C}$	Junction Cap. @50VDC @1kHz (Cj)
		55°C(1)	100°C(2)	25°C	100°C	25°C		25°C	25°C	25°C	25°C	25°C
	Volts	Amps	Amps	$\mu A$	$\mu A$	Volts	Amps	Amps	Amps	ns	°C/W	pF
Z20FF3LL Z50FF3LL	2000 5000	2.0 0.8	1.2 0.4	1.0 1.0	25 25	6.0 12.5	0.75 0.36	65 22	10 4	30 30	5.0 5.0	20 16
Z20FF5LL Z50FF5LL	2000 5000	2.0 0.8	1.2 0.4	1.0 1.0	25 25	6.0 12.5	0.75 0.36	65 22	10 4	50 50	5.0 5.0	20 16
1N6513LL 1N6515LL 1N6517LL	2000 3000 5000	3.5 2.5 1.5	2.4 1.5 1.0	1.0 1.0 1.0	25 25 25	3.5 6.0 8.0	2.0 1.5 1.0	100 60 40	15 10 8	70 70 70	5.0 5.0 5.0	25 20 16

(1)TC=55°C (2)TC=100°C (3)If=0.5A, Ir=1.0A, Irr=0.25A \*Op. Temp.= -65°C to +175°C Stg. Temp.= -65°C to +200°C

Part	A	B
Z20FF3LL	.350(8.89) MAX.	.220 (5.59)
Z20FF5LL	.320(8.13) MIN.	(5.59)
Z50FF3LL	.390(9.91) MAX.	.260 (6.60)
Z50FF5LL	.350(8.89) MIN.	(6.60)
1N6513LL	.340(8.64) MAX.	.210 (5.33)
	.320(8.13) MIN.	(5.33)
1N6515LL	.360(9.14) MAX.	.230 (5.84)
	.340(8.64) MIN.	(5.84)
1N6517LL	.380(9.65) MAX.	.250 (6.35)
	.350(8.89) MIN.	(6.35)

Markings:  
Cathode band.



.022 ± .003  
(.56 ± .08)  
Dimension uncontrolled  
in this area due to  
solder fillet.



Dimensions: In. (mm) • All temperatures are ambient unless otherwise noted. • Data subject to change without notice.

