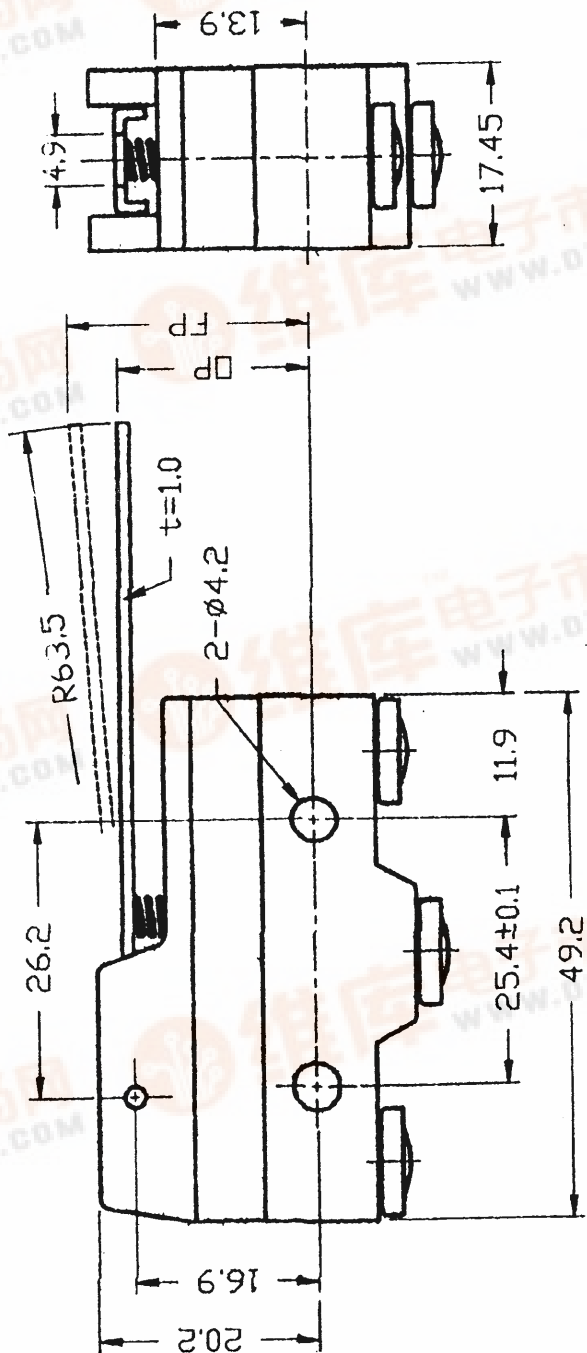
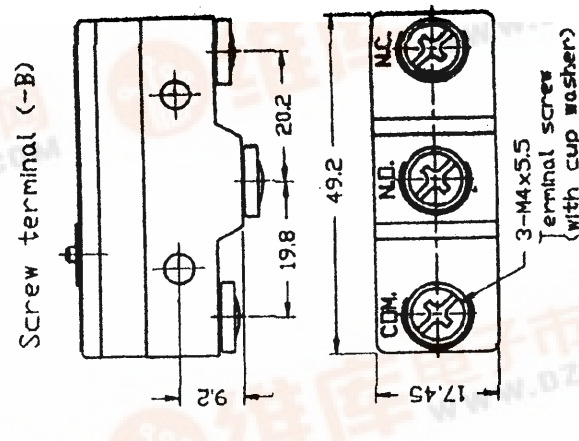
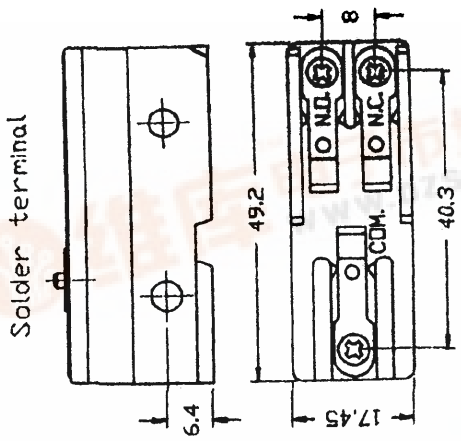


372-0780

CHARACTERISTICS		Rating	15A 125VAC or 250VAC
Contact resistance	15mΩ max. (initial)	Terminal	
Insulation resistance	100MΩ min. (at 500 VDC)	Item No.	Z15G1701
Dielectric strength	1,000 VAC/50/60Hz for 1 minute between	OF max.	70g
Mechanically service life	1,000,000 operations min.	RF min.	14g
Electrically service life	100,000 operations min.	PT max.	10mm
		OT min.	5.6mm
		MD max.	1.27mm
		FP max.	28.2mm
		OP	19±0.8mm



版本: A

海立电气有限公司		DATE	83.09.27	TYPE NO	Z15G1701
HIGHLY ELECTRIC CO LTD		REVISION		PROCESS	01113000
DESCRIPTION		MATERIAL		FILE NO	
CHECKED	劉克威	UNIT	m/m	TOLERANCE	±0.15
DRAWN	LKV	SCALE	1.5=1		

