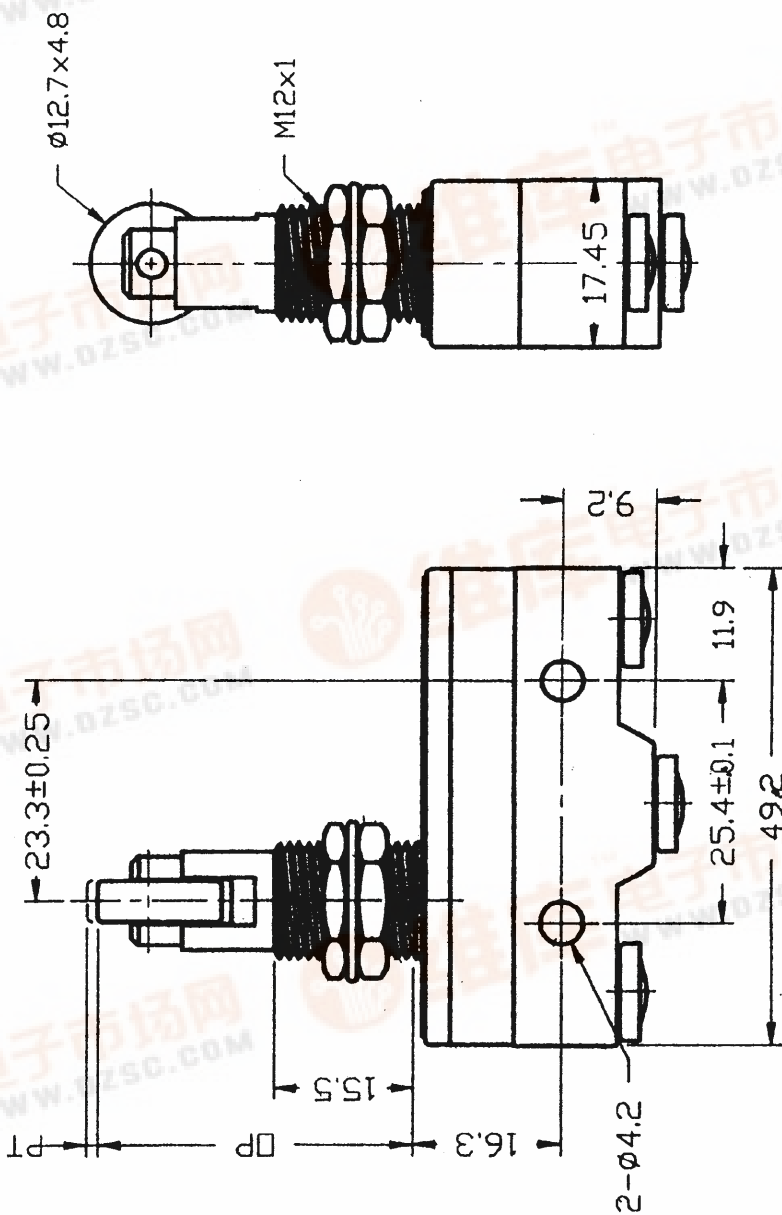
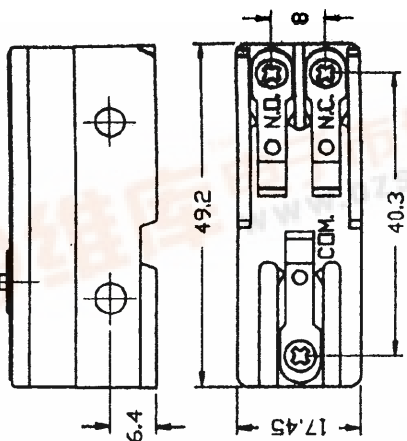


372-0755

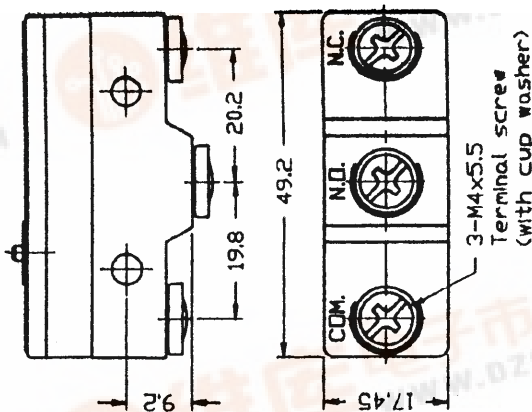
CHARACTERISTICS		Rating	15A 125VAC or 250VAC
Contact resistance	15mΩ max. (initial)	Terminal	Z15G1318
Insulation resistance	100MΩ min. (at 500 VDC)	Item No.	250-350g
Dielectric strength	1,000 VAC, 50/60Hz for 1 minute between	OF	114g
Mechanically service life	1,000,000 operations min.	PT max.	0.4mm
		OT min.	3.58mm
Electrically service life	100,000 operations min.	MD max.	0.05mm
		OP	32.5±1mm



Solder terminal



Screw terminal. (-B)



版本: A

海立电气有限公司 HIGHLY ELECTRIC CO LTD		材料	Z15G1318
修正REVISION	日期DATE	加工PROCESS	文件NO FILE NO
		83.09.27	0112050
说明DESCRIPTION	单位UNIT	公差TOLERANCE	
	m/m	±0.15	
检查CHECKED 刘克威	比例SCALE		
新图DRAWN LKV	1:5=1		