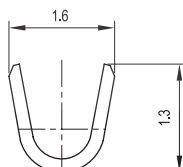
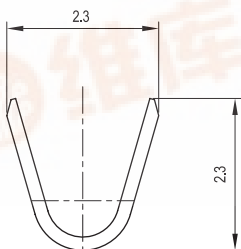
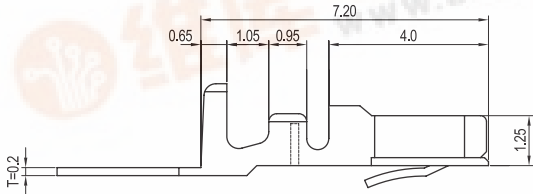
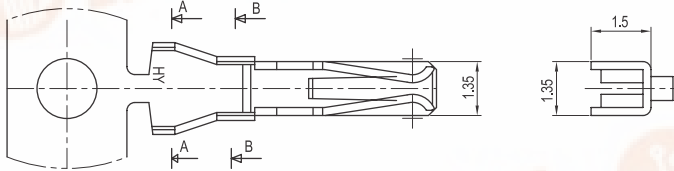
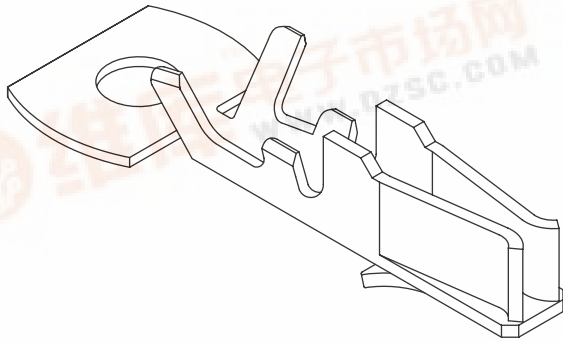


2.00mm (0.079") PITCH CONNECTOR

Wire-to-Board
Crimp Terminal

YST200-C



Material

I/NO	DESCRIPTION	TITLE	AWG	MATERIAL	FINISH
1	TERMINAL	YST200-C	#22-#28	Phosphor Bronze	Tin Plated

Specification

ITEM	SPEC
Voltage Rating	AC/DC 250V
Current Rating	AC/DC 3A
Operating Temperature	-25°C~+85°C
Contact Resistance	30mΩ MAX
Withstanding Voltage	AC1000V/1min
Insulation Resistance	1000MΩ MIN
Applicable Wire	AWG #22~#28
Applicable P.C.B	-
Applicable FPC/FFC	-
Solder Height	-
Crimp Tensile Strength	AWG #22 : 2.5kgfMIN
	AWG #24 : 2.0kgfMIN
	AWG #26 : 1.5kgfMIN
	AWG #28 : 1.0kgfMIN
UL FILE NO	-

