

MEGGITT CGS

HIGH VOLTAGE RESISTORS
HIGH VALUE RESISTORS
HIGH POWER RESISTORS
ALUMINIUM CLAD RESISTORS
CURRENT SENSE RESISTORS

High Power Capacitor Discharge Resistors

TYPE YP SERIES



The YP series resistors are coated with multilayer silicone to give an excellent protection to the resistance wire from a temperature of -55°C to 350°C . The terminals are designed for quick and easy mounting on capacitors and have a mounting pitch of 22.2 and 31.8 mm.

These are wirewound ceramic core resistors designed for voltage balancing of series connected aluminium electrolytic capacitors. These resistors are also suitable for capacitor voltage discharge safety applications in high voltage circuits. Ideally suited for industrial grade capacitors.

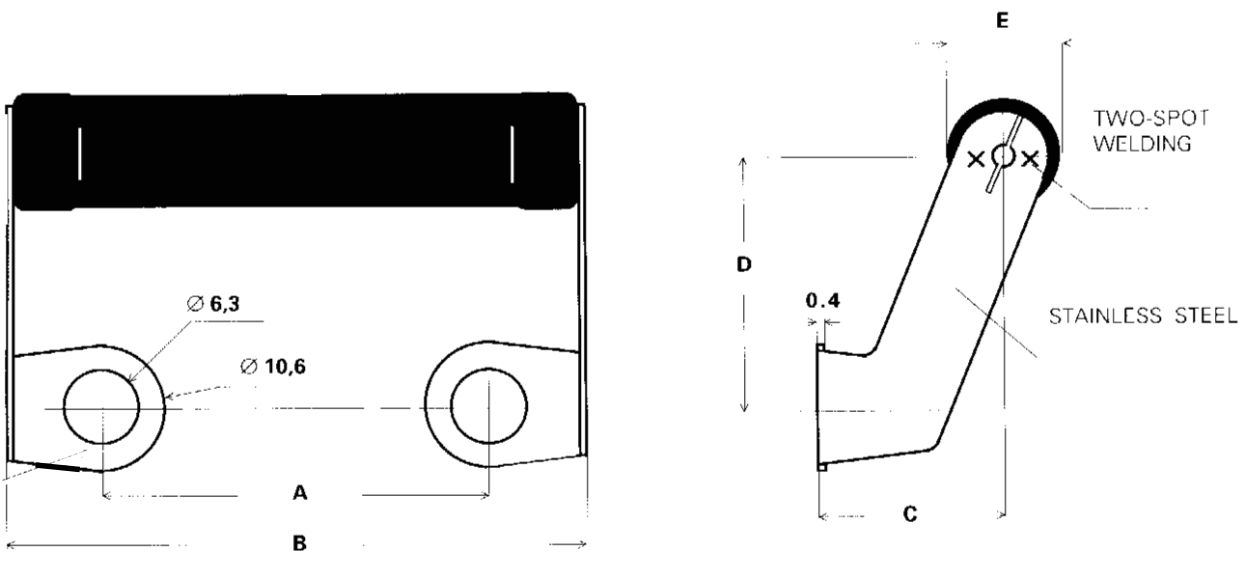
MEGGITT CGS KEY FEATURES

- FLAMEPROOF SILICONE COATING
- STAINLESS STEEL MOUNTING TERMINALS FOR DIRECT MOUNTING ON CAPACITORS
- PREMIUM QUALITY RESISTIVE WIRES
- ATTRACTIVELY PRICED
- CUSTOM DESIGNS POSSIBLE
- INNOVATIVE DESIGN

ELECTRICAL

Resistance Values:	18K, 27K, 47K. Other values on request and to order.
Resistance Tolerance:	±5%
Temperature Coefficient:	±30 ppm/°C (typ.), ±100 ppm/°C (maximum)
Maximum Voltage:	825V dc or ac(rms) for YP10, 570V for YP8.
Derating:	Derated linearly to zero at 350°C.
Power Rating:	10W @ 70°C for YP10 and 8W @ 70°C for YP8.
Stability:	70°C, 1000hr - R/R @ 100% load <±5%
Standard:	Performance as per BS - CECC 40201-002
Marking:	Type, Resistance value, Tolerance

DIMENSIONS



Type	Dimensions				
	A	B	C	D	E
YP8	±1mm	max.	±1mm	±1mm	±1mm
YP10	22.2	40	15	21	9.5
	31.8	50	15	21	9.5

All Dimensions are nominal and in 'mm' unless otherwise stated. Do not Scale.

HOW TO ORDER

YP	8	18K	J
COMMON PART	RATING	RESISTANCE VALUE	TOLERANCE
YP - Capacitor Discharge Resistor	Nominal Continuous Rating 70°C 8 - 8 watts 10 - 10 watts	18K (18000 ohms) 18K 27K (27000 ohms) 27K 47K (47000 ohms) 47K	J - ±5% K - ±10%

M Meggitt Electronic Components Ltd. Ohmic House, Westmead Industrial Estate, Swindon, Wilts. SN5 7US
 Telephone:(01793)487301(Admin.) (01793)611666 (Sales) Email:sales@megelec.co.uk Fax:(01793) 611777

This publication is issued to provide outline information only and (unless specifically agreed to the contrary by the Company in writing) is not to form part of any order or be regarded as a representation relating to the products or service concerned. We reserve the right to alter without notice the specification, design, price or conditions of supply of any product or service. Whilst Meggitt Electronic Components products are of the very highest quality and reliability, all electronic components can occasionally be subject to failure. Where failure of a Meggitt Electronic Components product could result in life threatening consequences, then the circuit and application must be