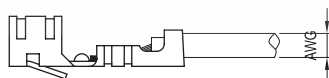
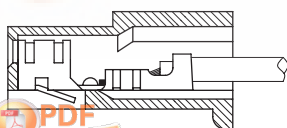
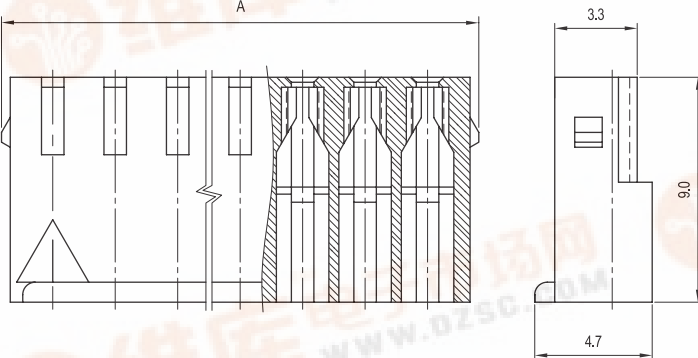
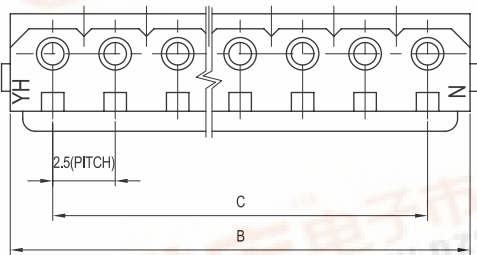
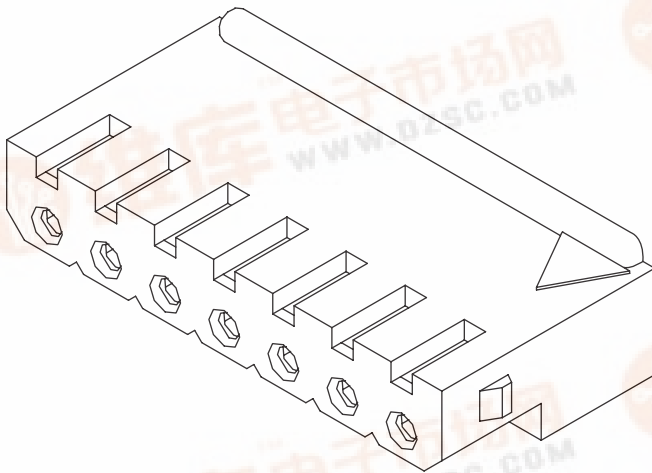


2.50mm (0.098") PITCH CONNECTOR

Wire-to-Board
Housing

YMH025-NNR Series



TERMINAL ASSEMBLY DRAWING

AWG : #22 ~ #28

Material

| I/NO | DESCRIPTION | TITLE | MATERIAL |
|------|-------------|------------|--------------------|
| 1 | HOUSING | YMH025-NNR | PA66, UL94 V Grade |

Available Pin

| PARTS NO. | A | B | C |
|------------|------|------|------|
| YMH025-02R | 6.6 | 5.9 | 2.5 |
| YMH025-03R | 9.1 | 8.4 | 5.0 |
| YMH025-04R | 11.6 | 10.9 | 7.5 |
| YMH025-05R | 14.1 | 13.4 | 10.0 |
| YMH025-06R | 16.6 | 15.9 | 12.5 |
| YMH025-07R | 19.1 | 18.4 | 15.0 |
| YMH025-08R | 21.6 | 20.9 | 17.5 |
| YMH025-09R | 24.1 | 23.4 | 20.0 |
| YMH025-10R | 26.6 | 25.9 | 22.5 |
| YMH025-11R | 29.1 | 28.4 | 25.0 |
| YMH025-12R | 31.6 | 30.9 | 27.5 |
| YMH025-13R | 34.1 | 33.4 | 30.0 |
| YMH025-14R | 36.6 | 35.9 | 32.5 |
| YMH025-15R | 39.1 | 38.4 | 35.0 |

Specification

| ITEM | SPEC |
|------------------------|--------------|
| Voltage Rating | AC/DC 250V |
| Current Rating | AC/DC 3A |
| Operating Temperature | -25°C~+85°C |
| Contact Resistance | 30mΩ MAX |
| Withstanding Voltage | AC1000V/1min |
| Insulation Resistance | 1000MΩ MIN |
| Applicable Wire | AWG #22~#28 |
| Applicable P,C,B | - |
| Applicable FPC/FFC | - |
| Solder Height | - |
| Crimp Tensile Strength | - |
| UL FILE NO | - |

Application Terminal : YMT025R (163 page)

