



XC1700L Series High Density Serial Configuration PROMs Including the XQ1701L QPRO™ Series

September 8, 1998 (Version 2.1)

Product Specification

Features

- On-chip address counter, incremented by each rising edge on the clock input
- Simple interface to the FPGA; requires only one user I/O pin
- Cascadable for storing longer or multiple bitstreams
- Programmable reset polarity (active High or active Low) for compatibility with different FPGA solutions
- Supports XC4000EX/XL/XLA/XV fast configuration mode (15.0 MHz)
- Low-power CMOS Floating Gate process
- XC1704L, XC1702L, XC1701L, XQ1701L and the XC17512L are 3.3 V devices
- XC1701 is a 5 V device only
- Available in compact plastic packages: 8-pin PDIP, 20-pin SOIC, 20-pin PLCC, and 44-pin VQFP.
- QPRO™ parts available in 44-pin ceramic LCC and 20-pin SOIC.
- Programming support by leading programmer manufacturers.
- Design support using the Xilinx Alliance and Foundation series software packages.

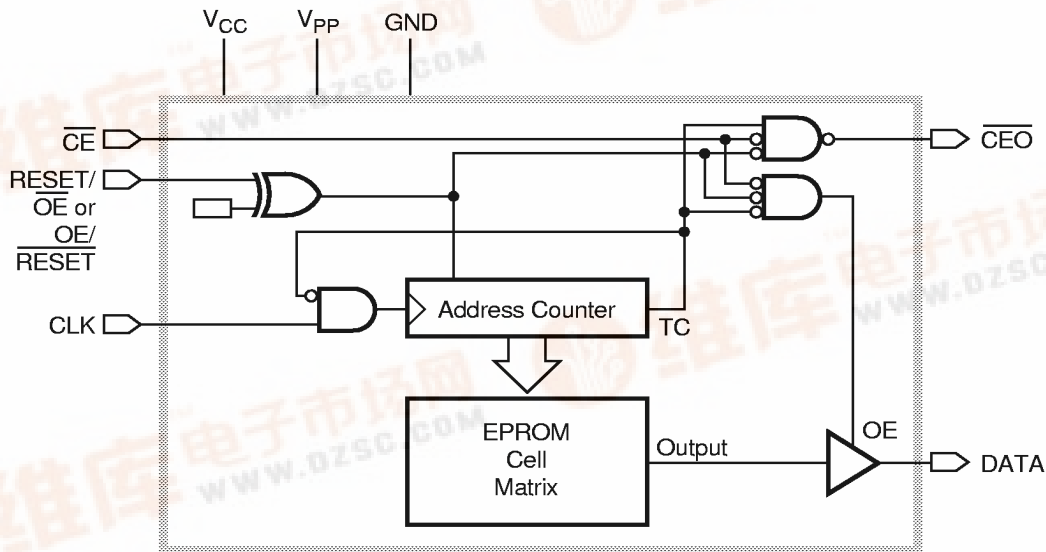
Description

The XC1704L, XC1702L, XC1701L, and the XC17512L are Xilinx 3.3V series of high density serial configuration PROMs (SPROMs). Included within this family are the XC1701 (5V) and the XQ1701L (3.3V) SPROMs to provide an easy-to-use, cost-effective method for storing large Xilinx FPGA configuration bitstreams.

When the FPGA is in Master Serial mode, it generates a configuration clock that drives the SPROM. A short access time after the rising clock edge, data appears on the SPROM DATA output pin that is connected to the FPGA DIN pin. The FPGA generates the appropriate number of clock pulses to complete the configuration. Once configured, it disables the SPROM. When the FPGA is in Slave Serial mode, the SPROM and the FPGA must both be clocked by an incoming signal.

Multiple devices can be concatenated by using the \overline{CE} output to drive the \overline{CE} input of the following device. The clock inputs and the DATA outputs of all SPROMs in this chain are interconnected. All devices are compatible and can be cascaded with other members of the family.

For device programming, either the Xilinx Alliance or Foundation series development system compiles the FPGA design file into a standard Hex format, which is then transferred to most commercial PROM programmers.



X3185

Figure 1: Simplified Block Diagram (does not show programming circuit)



Pin Description

DATA

Data output, 3-stated when either \overline{CE} or \overline{OE} are inactive. During programming, the DATA pin is I/O. Note that \overline{OE} can be programmed to be either active High or active Low.

CLK

Each rising edge on the CLK input increments the internal address counter, if both \overline{CE} and \overline{OE} are active.

RESET/ \overline{OE}

When High, this input holds the address counter reset and 3-states the DATA output. The polarity of this input pin is programmable as either RESET/ \overline{OE} or OE/RESET. To avoid confusion, this document describes the pin as RESET/ \overline{OE} , although the opposite polarity is possible on all devices. When RESET is active, the address counter is held at zero, and the DATA output is 3-stated. The polarity of this input is programmable. The default is active High RESET, but the preferred option is active Low \overline{RESET} , because it can be driven by the FPGA's \overline{INIT} pin.

The polarity of this pin is controlled in the programmer interface. This input pin is easily inverted using the Xilinx HW-130 Programmer. Third-party programmers have different methods to invert this pin.

\overline{CE}

When High, this pin disables the internal address counter, 3-states the DATA output, and forces the device into low- I_{CC} standby mode.

\overline{CEO}

Chip Enable output, to be connected to the \overline{CE} input of the next SPROM in the daisy chain. This output is Low when the \overline{CE} and \overline{OE} inputs are both active AND the internal address counter has been incremented beyond its Terminal Count (TC) value. In other words: when the PROM has been read, \overline{CEO} will follow \overline{CE} as long as \overline{OE} is active. When \overline{OE} goes inactive, \overline{CEO} stays High until the PROM is reset. Note that \overline{OE} can be programmed to be either active High or active Low.

V_{PP}

Programming voltage. No overshoot above the specified max voltage is permitted on this pin. For normal read operation, this pin *must* be connected to V_{CC} . Failure to do so may lead to unpredictable, temperature-dependent operation and severe problems in circuit debugging. *Do not leave VPP floating!*

V_{CC} and GND

Positive supply and ground pins.

Serial PROM Pinouts

Pin Name	8-Pin PDIP	20-Pin SOIC	20-Pin PLCC	44-Pin VQFP	44-Pin LCC
DATA	1	1	2	40	2
CLK	2	3	4	43	5
RESET/ \overline{OE} (OE/RESET)	3	8	6	13	19
\overline{CE}	4	10	8	15	21
GND	5	11	10	18 & 41	24 & 3
\overline{CEO}	6	13	14	21	27
V_{PP}	7	18	17	35	41
V_{CC}	8	20	20	38	44

Capacity

Devices	Configuration Bits
XC1704L	4,194,304
XC1702L	2,097,152
XC1701L	1,048,576
XC1701	1,048,576
XC17512L	524,288

Number of Configuration Bits, Including Header for Xilinx FPGAs and Compatible SPROMs.

Device	Configuration Bits	SPROM
XC4010XL	283,424	XC17512L
XC4013XL/XLA	393,632	XC17512L
XC4020E	329,312	XC1701
XC4020XL/XLA	521,880	XC17512L
XC4025E	422,176	XC1701
XC4028XL/XLA	668,184	XC1701L
XC4028EX	668,184	XC1701
XC4036EX	832,528	XC1701
XC4036XL/XLA	832,528	XC1701L
XC4044XL/XLA	1,014,928	XC1701L
XC4052XL/XLA	1,215,368	XC1702L
XC4062XL/XLA	1,433,864	XC1702L
XC4085XL/XLA	1,924,992	XC1702L
XC40110XV	2,686,136	XC1704L
XC40150XV	3,373,448	XC1704L
XC40200XV	4,551,056	XC1704L + XC17512L
XC40250XV	5,433,888	XC1704L + XC1702L

Controlling Serial PROMs

Connecting the FPGA device with the SPROM.

- The DATA output(s) of the of the SPROM(s) drives the DIN input of the lead FPGA device.
- The Master FPGA CCLK output drives the CLK input(s) of the SPROM(s).
- The \overline{CEO} output of a SPROM drives the \overline{CE} input of the next SPROM in a daisy chain (if any).
- The $\overline{RESET/OE}$ input of all SPROMs is best driven by the INIT output of the lead FPGA device. This connection assures that the SPROM address counter is reset before the start of any (re)configuration, even when a reconfiguration is initiated by a V_{CC} glitch. Other methods – such as driving $\overline{RESET/OE}$ from \overline{LDC} or system reset – assume the SPROM internal power-on-reset is always in step with the FPGA's internal power-on-reset. This may not be a safe assumption.
- The SPROM \overline{CE} input can be driven from either the \overline{LDC} or DONE pins. Using \overline{LDC} avoids potential contention on the DIN pin.
- The \overline{CE} input of the lead (or only) SPROM is driven by the DONE output of the lead FPGA device, provided that DONE is not permanently grounded. Otherwise, \overline{LDC} can be used to drive \overline{CE} , but must then be unconditionally High during user operation. \overline{CE} can also be permanently tied Low, but this keeps the DATA output active and causes an unnecessary supply current of 10 mA maximum.

FPGA Master Serial Mode Summary

The I/O and logic functions of the Configurable Logic Block (CLB) and their associated interconnections are established by a configuration program. The program is loaded either automatically upon power up, or on command, depending on the state of the three FPGA mode pins. In Master Serial mode, the FPGA automatically loads the configuration program from an external memory. The Xilinx SPROMs have been designed for compatibility with the Master Serial mode.

Upon power-up or reconfiguration, an FPGA enters the Master Serial mode whenever all three of the FPGA mode-select pins are Low ($M0=0$, $M1=0$, $M2=0$). Data is read from the SPROM sequentially on a single data line. Synchronization is provided by the rising edge of the temporary signal CCLK, which is generated during configuration.

Master Serial Mode provides a simple configuration interface. Only a serial data line and two control lines are required to configure an FPGA. Data from the SPROM is read sequentially, accessed via the internal address and bit counters which are incremented on every valid rising edge of CCLK.

If the user-programmable, dual-function DIN pin on the FPGA is used only for configuration, it must still be held at a defined level during normal operation. The Xilinx FPGA

families take care of this automatically with an on-chip default pull-up resistor.

Programming the FPGA With Counters Unchanged Upon Completion

When multiple FPGA-configurations for a single FPGA are stored in a SPROM, the \overline{OE} pin should be tied Low. Upon power-up, the internal address counters are reset and configuration begins with the first program stored in memory. Since the \overline{OE} pin is held Low, the address counters are left unchanged after configuration is complete. Therefore, to reprogram the FPGA with another program, the DONE line is pulled Low and configuration begins at the last value of the address counters.

This method fails if a user applies \overline{RESET} during the FPGA configuration process. The FPGA aborts the configuration and then restarts a new configuration, as intended, but the Serial PROM does not reset its address counter, since it never saw a High level on its \overline{OE} input. The new configuration, therefore, reads the remaining data in the PROM and interprets it as preamble, length count etc. Since the FPGA is the master, it issues the necessary number of CCLK pulses, up to 16 million (2^{24}) and DONE goes High. However, the FPGA configuration will be completely wrong, with potential contentions inside the FPGA and on its output pins. This method must, therefore, never be used when there is any chance of external reset during configuration.

Cascading Serial Configuration PROMs

For multiple FPGAs configured as a daisy-chain, or for future FPGAs requiring larger configuration memories, cascaded SPROMs provide additional memory. After the last bit from the first SPROM is read, the next clock signal to the SPROM asserts its \overline{CEO} output Low and disables its DATA line. The second SPROM recognizes the Low level on its \overline{CE} input and enables its DATA output. See Figure 2.

After configuration is complete, the address counters of all cascaded SPROMs are reset if the FPGA \overline{RESET} pin goes Low, assuming the SPROM reset polarity option has been inverted.

To reprogram the FPGA with another program, the DONE line goes Low and configuration begins where the address counters had stopped. In this case, avoid contention between DATA and the configured I/O use of DIN.

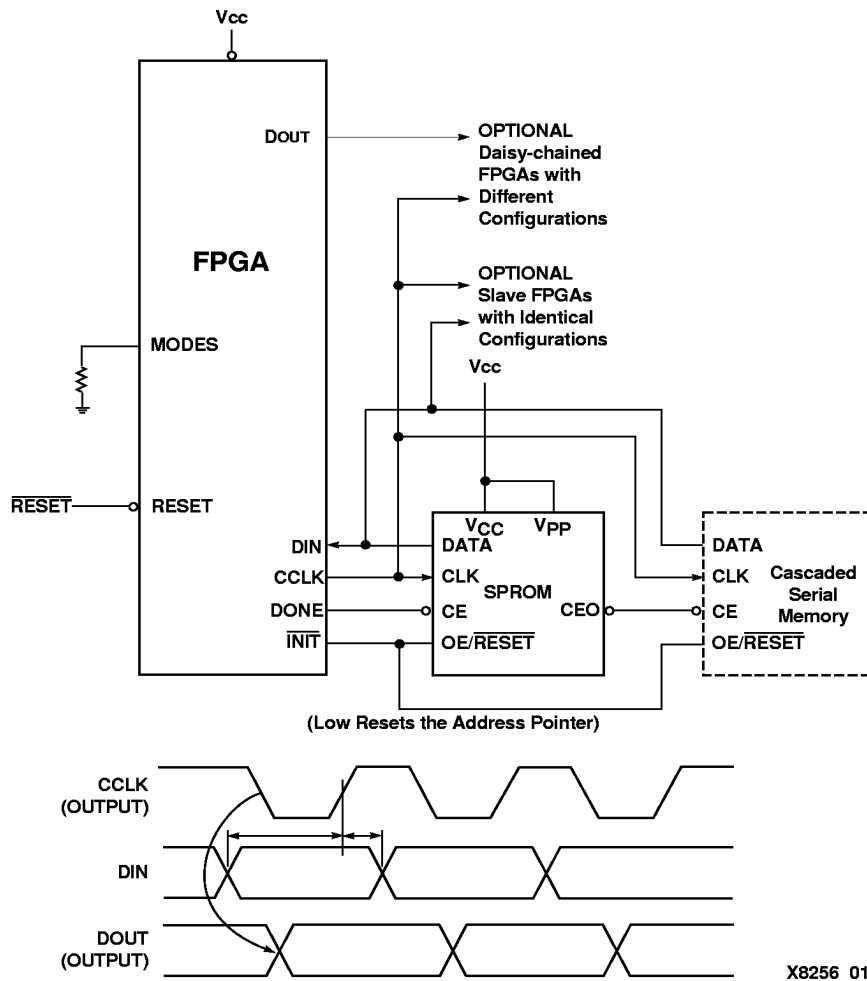


Figure 2: Master Serial Mode. The one-time-programmable SPROM supports automatic loading of configuration programs. Multiple devices can be cascaded to support additional FPGA. An early DONE inhibits the PROM data output one CCLK cycle before the FPGA I/Os become active.

Standby Mode

The PROM enters a low-power standby mode whenever \overline{CE} is asserted High. The output remains in a high impedance state regardless of the state of the \overline{OE} input.

Programming

The devices can be programmed on programmers supplied by Xilinx or qualified third-party vendors. The user must ensure that the appropriate programming algorithm and the latest version of the programmer software are used. The wrong choice can permanently damage the device.

Table 1: Truth Table for XC1700 Control Inputs

Control Inputs		Internal Address	Outputs		
RESET	CE		DATA	CEO	I _{CC}
Inactive	Low	if address \leq TC: increment if address $>$ TC: don't change	active 3-state	High Low	active reduced
Active	Low	Held reset	3-state	High	active
Inactive	High	Not changing	3-state	High	standby
Active	High	Held reset	3-state	High	standby

Notes: 1. The XC1700 RESET input has programmable polarity
2. TC = Terminal Count = highest address value. TC+1 = address 0.

IMPORTANT: Always tie the V_{PP} pin to V_{CC} in your application. Never leave V_{PP} floating.

XC1701

Absolute Maximum Ratings

Symbol	Description		Units
V_{CC}	Supply voltage relative to GND	-0.5 to +7.0	V
V_{PP}	Supply voltage relative to GND	-0.5 to +12.5	V
V_{IN}	Input voltage relative to GND	-0.5 to $V_{CC} + 0.5$	V
V_{TS}	Voltage applied to 3-state output	-0.5 to $V_{CC} + 0.5$	V
T_{STG}	Storage temperature (ambient)	-65 to +150	°C
T_{SOL}	Maximum soldering temperature (10 s @ 1/16 in.)	+260	°C

Note: Stresses beyond those listed under Absolute Maximum Ratings may cause permanent damage to the device. These are stress ratings only, and functional operation of the device at these or any other conditions beyond those listed under Operating Conditions is not implied. Exposure to Absolute Maximum Ratings conditions for extended periods of time may affect device reliability.

Operating Conditions

Symbol	Description		Min	Max	Units
V_{CC}	Commercial	Supply voltage relative to GND ($T_A = 0^\circ\text{C}$ to $+70^\circ\text{C}$)	4.75	5.25	V
	Industrial	Supply voltage relative to GND ($T_A = -40^\circ\text{C}$ to $+85^\circ\text{C}$)	4.50	5.50	V

Note: During normal read operation V_{PP} **must** be connect to V_{CC}

DC Characteristics Over Operating Condition

Symbol	Description		Min	Max	Units
V_{IH}	High-level input voltage		2.0	V_{CC}	V
V_{IL}	Low-level input voltage		0	0.8	V
V_{OH}	High-level output voltage ($I_{OH} = -4$ mA)	Commercial	3.86		V
V_{OL}	Low-level output voltage ($I_{OL} = +4$ mA)			0.32	V
V_{OH}	High-level output voltage ($I_{OH} = -4$ mA)	Industrial	3.76		V
V_{OL}	Low-level output voltage ($I_{OL} = +4$ mA)			0.37	V
I_{CCA}	Supply current, active mode (at maximum frequency)			10.0	mA
I_{CCS}	Supply current, standby mode			100.0	μA
I_L	Input or output leakage current		-10.0	10.0	μA
C_{IN}	Input Capacitance ($V_{IN} = \text{GND}$, $f = 1.0$ MHz)			10.0	pF
C_{OUT}	Output Capacitance ($V_{IN} = \text{GND}$, $f = 1.0$ MHz)			10.0	pF

XC1704L, XC1702L, XC1701L, XQ1701L, & XC17512L

Absolute Maximum Ratings

Symbol	Description		Units
V_{CC}	Supply voltage relative to GND	-0.5 to +4.0	V
V_{PP}	Supply voltage relative to GND	-0.5 to +12.5	V
V_{IN}	Input voltage with respect to GND	-0.5 to $V_{CC} + 0.5$	V
V_{TS}	Voltage applied to 3-state output	-0.5 to $V_{CC} + 0.5$	V
T_{STG}	Storage temperature (ambient)	-65 to +150	°C
T_{SOL}	Maximum soldering temperature (10 s @ 1/16 in.)	+260	°C

Note: Stresses beyond those listed under Absolute Maximum Ratings may cause permanent damage to the device. These are stress ratings only, and functional operation of the device at these or any other conditions beyond those listed under Operating Conditions is not implied. Exposure to Absolute Maximum Ratings conditions for extended periods of time may affect device reliability.

Operating Conditions

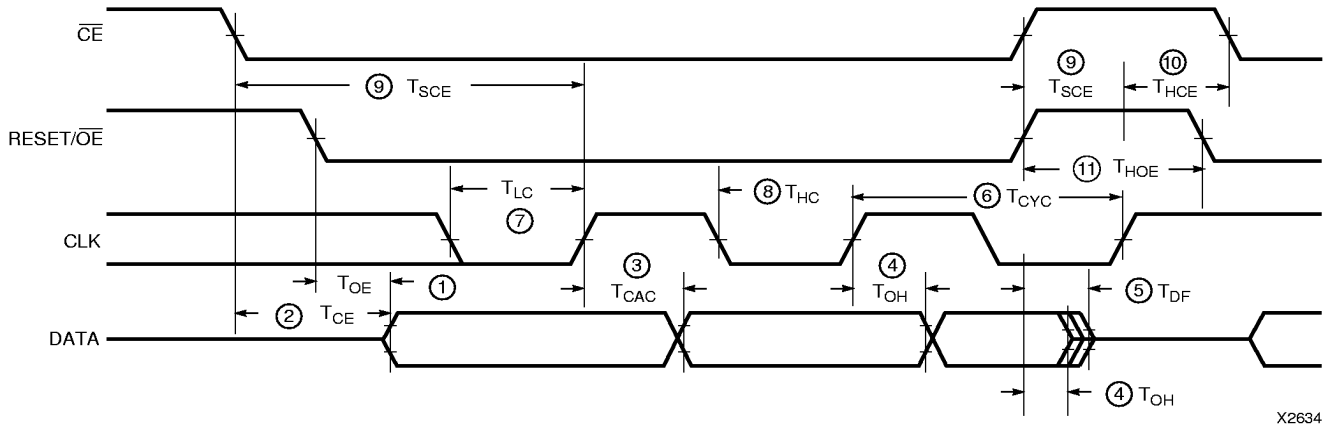
Symbol	Description		Min	Max	Units
V_{CC}	Commercial	Supply voltage relative to GND ($T_A = 0^\circ\text{C}$ to $+70^\circ\text{C}$)	3.0	3.6	V
	Industrial	Supply voltage relative to GND ($T_A = -40^\circ\text{C}$ to $+85^\circ\text{C}$)	3.0	3.6	V
	Military	Supply voltage relative to GND Ceramic Package ($T_C = -55^\circ\text{C}$ to $+125^\circ\text{C}$)	3.0	3.6	V
		Supply voltage relative to GND Plastic Package ($T_J = -55^\circ\text{C}$ to $+125^\circ\text{C}$)	3.0	3.6	V

Note: During normal read operation V_{PP} *must* be connected to V_{CC}

DC Characteristics Over Operating Condition

Symbol	Description	Min	Max	Units
V_{IH}	High-level input voltage	2.0	V_{CC}	V
V_{IL}	Low-level input voltage	0	0.8	V
V_{OH}	High-level output voltage ($I_{OH} = -3$ mA)	2.4		V
V_{OL}	Low-level output voltage ($I_{OL} = +3$ mA)		0.4	V
I_{CCA}	Supply current, active mode (at maximum frequency)		10.0	mA
I_{CCS}	Supply current, standby mode		50.0	μA
I_L	Input or output leakage current	-10.0	10.0	μA
C_{IN}	Input Capacitance ($V_{IN} = \text{GND}$, $f = 1.0$ MHz)		10.0	pF
C_{OUT}	Output Capacitance ($V_{IN} = \text{GND}$, $f = 1.0$ MHz)		10.0	pF

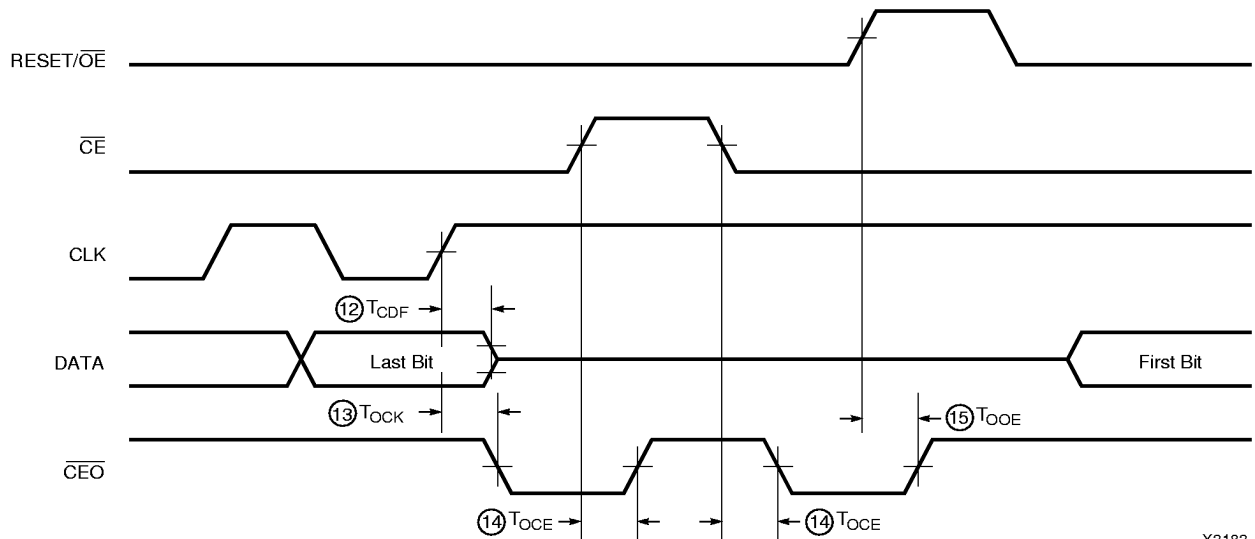
AC Characteristics Over Operating Condition



Symbol	Description	XC1701		XC1704L, XC1702L, XC1701L, XQ1701L & XC17512L		Units
		Min	Max	Min	Max	
1	T_{OE} OE to Data Delay		25		30	ns
2	T_{CE} CE to Data Delay		45		45	ns
3	T_{CAC} CLK to Data Delay		45		45	ns
4	T_{OH} Data Hold From \overline{CE} , \overline{OE} , or CLK	0		0		ns
5	T_{DF} CE or OE to Data Float Delay ²		50		50	ns
6	T_{CYC} Clock Periods	67		67		ns
7	T_{LC} CLK Low Time ³	20		25		ns
8	T_{HC} CLK High Time ³	20		25		ns
9	T_{SCE} CE Setup Time to CLK (to guarantee proper counting)	20		25		ns
10	T_{HCE} CE Hold Time to CLK (to guarantee proper counting)	0		0		ns
11	T_{HOE} OE Hold Time (guarantees counters are reset)	20		25		ns

- Notes:**
1. AC test load = 50 pF
 2. Float delays are measured with 5 pF AC loads. Transition is measured at +/- 200mV from steady state active levels.
 3. Guaranteed by design, not tested.
 4. All AC parameters are measured with $V_{IL} = 0.0$ V and $V_{IH} = 3.0$ V.

AC Characteristics Over Operating Condition When Cascading

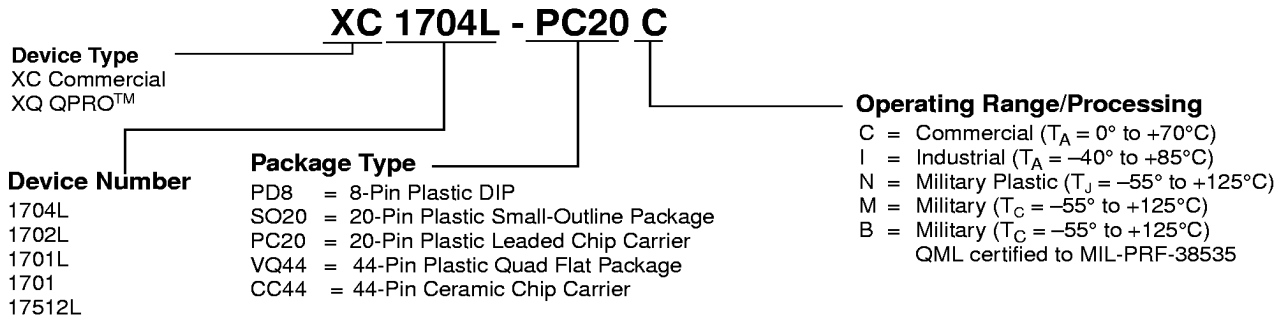


X3183

Symbol	Description	Min	Max	Units
12	T_{CDF}		50	ns
13	T_{OCK}		30	ns
14	T_{OCE}		35	ns
15	T_{OOE}		30	ns

- Notes:**
1. AC test load = 50 pF
 2. Float delays are measured with 5 pF AC loads. Transition is measured at +/- 200mV from steady state active levels.
 3. Guaranteed by design, not tested.
 4. All AC parameters are measured with $V_{IL} = 0.0$ V and $V_{IH} = 3.0$ V.

Ordering Information

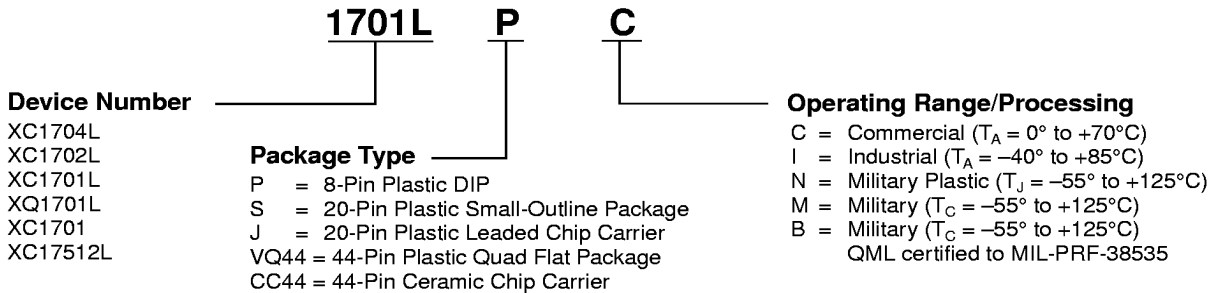


Valid Ordering Combinations

XC1704LVQ44C	XC1702LVQ44C	XC1701LPD8C XC1701LSO20C XC1701LPC20C	XC1701PD8C XC1701SO20C XC1701PC20C	XC17512LPD8C XC17512LSO20C XC17512LPC20C
XC1704LVQ44I	XC1702LVQ44I	XC1701LPD8I XC1701LSO20I XC1701PC20I	XC1701PD8I XC1701SO20I XC1701PC20I	XC17512LPD8I XC17512LSO20I XC17512LPC20I
		XQ1701LCC44M XQ1701LCC44B XQ1701LS020N		

Marking Information

Due to the small size of the commercial serial PROM packages, the complete ordering part number cannot be marked on the package. The XC prefix is deleted and the package code is simplified. The XQ CC44 packages are marked as ordered. Device marking on the commercial and military plastic packages is as follows:



Revision Control

Date	Revision
7/14/98	Major revisions to include the XC1704L, XC1702L, and the XQ1701L devices, packages and operating conditions. Also revised the timing specifications on page 5-8.
9/8/98	Revised the marking information on page 5-10 for the VQ44. Updated the DC characteristics on page 5-7. Added references to the XC4000XLA and XC4000XV families in table on 5-2, figure 2 on 5-4.