



Surge Arrester

B4-A350X

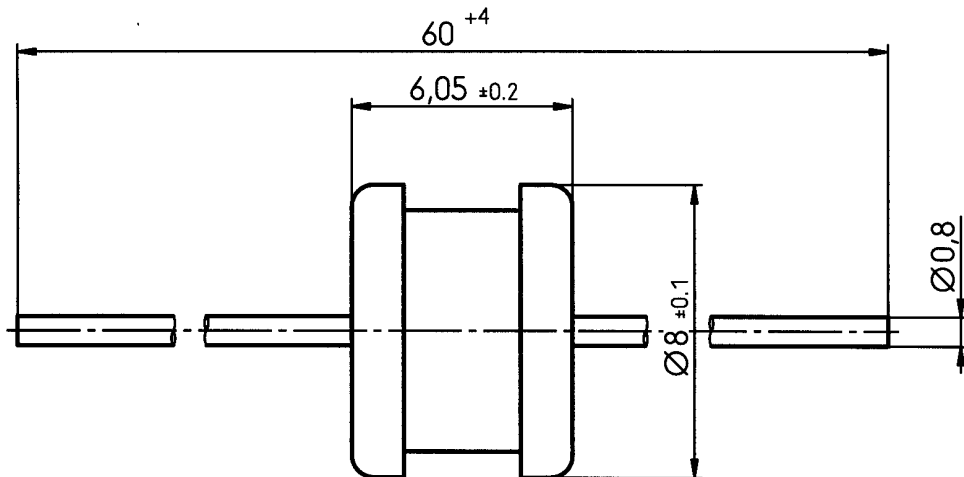
2-Electrode-Arrester

Ordering code: B88069X3980C102

DC spark-over voltage <sup>1)2)</sup>	350 ± 20	V %
Impulse spark-over voltage at 100 V/μs - for 99 % of measured values - typical values of distribution	< 800 < 700	V V
Nominal impulse discharge current (wave 8/20 μs) Single impulse discharge current (wave 8/20 μs)	2.5 3	kA kA
Nominal alternating discharge current (50 Hz, 1 s) Alternating discharge current (50 Hz, 9 cycles)	2.5 10	A A
Insulation resistance at 100 V <sub>dc</sub>	> 10	GΩ
Capacitance at 1 MHz	< 1.5	pF
Arc voltage at 1 A Glow to arc transition current Glow voltage	~ 15 ~ 0.5 ~ 60	V A V
Weight	~ 1.5	g
Operation and storage temperature	-40 ... +90	°C
Climatic category (IEC 60068-1)	40/ 90/ 21	
Marking, on electrodes	<b>350 YY</b> 350 - Nominal voltage YY - Year of production	

1) At delivery AQL 0.65 level II, DIN ISO 2859  
2) In ionized mode





*Not to scale*

*Dimensions in mm*

*Non controlled document*