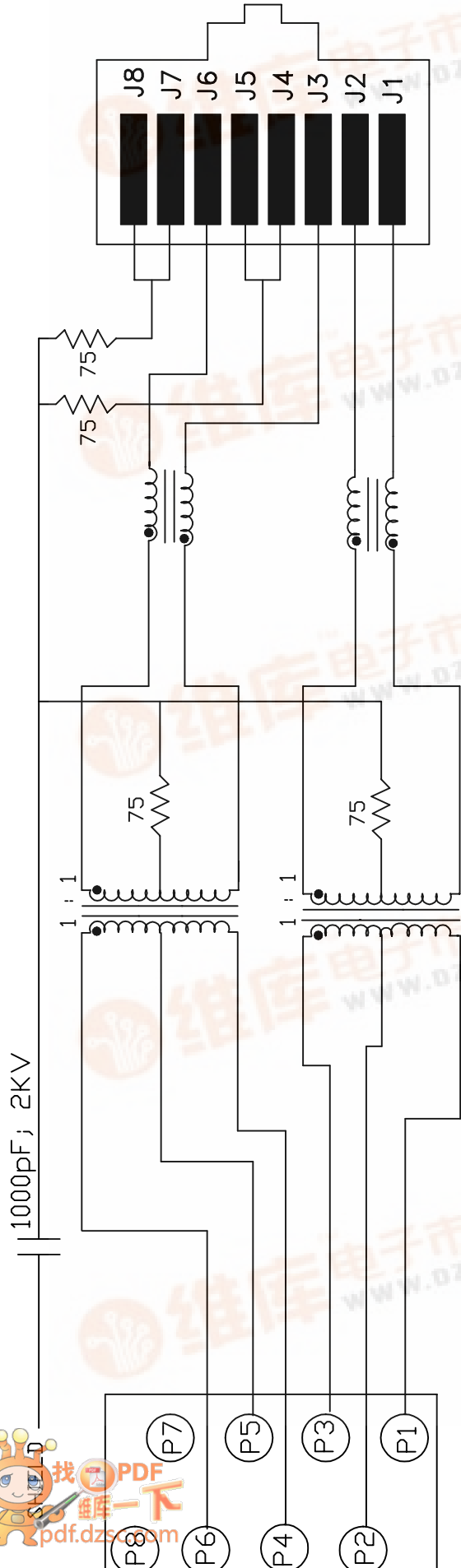


查询CH0042-SL2供应商

捷多邦, 专业PCB打样工厂, 24小时加急出货



TRICAL SPECIFICATIONS:

Turns Ratio: (P6-P5-P4) : (J6-J3)  
(P3-P2-P1) : (J2-J1)

Inductance: (P6-P4)  
(P3-P1)

Leakage Inductance: P6-P4 (WITH J6 AND J3 SHORT)  
P3-P1 (WITH J2 AND J1 SHORT)

Interwinding Capacitance: (P6,P5,P4) TO (J6,J3)  
(P3,P2,P1) TO (J2,J1)

DC Resistance: (J6-J3)=(J2-J1)

: 1CT : 1CT ± 3%  
: 1CT : 1CT ± 3%

: 350uH MIN. @ 0.1V, 100KHz, 8mA DC Bias  
: 350uH MIN. @ 0.1V, 100KHz, 8mA DC Bias

: 0.3 MAX. @ 1MHz  
: 0.3 MAX. @ 1MHz

: 30pf MAX @ 1MHz  
: 30pf MAX. @ 1MHz

1.2 ohms Max.

NOTES

1.0 PINS WITHOUT ELECTRICAL CONNECTION ARE OMITTED.

Bel Stewart Connector  
11118 Susquehanna Trail, South  
Glen Rock, Pa 17327-9199  
717.234.7512

**MagJack**<sup>®</sup>

http://www.stewartconnector.com

SHEET  
1 OF 4

DRAWING NO.  
CH0042-SL2

REV.  
13

RECEIVE

RETURN LOSS: 1MHZ TO 30MHZ : 18dB MIN.  
60MHZ TO 80MHZ : 12dB MIN.

NOTE: 100 OHMS CONNECTED TO (J2-J1) OR (J6-J3).

DIELECTRIC WITHSTAND: (J1, J2) TO (P1, P3) : 1500 VAC  
(J3, J6) TO (P4, P6) : 1500 VAC

INSERTION LOSS: RS=RL=100 ohms : 1.1 dB TYP  
100KHz TO 100MHz

RISE TIME: RS=100 OHMS AND RL = 100 OHMS : 3.0 nS MAX  
OUTPUT VOLTAGE = 1 V peak : 3.0 nS MAX  
PULSE WIDTH= 112nS

CROSS TALK: 1MHZ TO 100MHZ : 40 dB TYP

COMMON TO COMMON MODE ATTENUATION: 30MHZ TO 100MHZ : 35dB TYP

**Bel Stewart Connector**  
11118 Susquehanna Trail, South  
Glen Rock, Pa 17327-9199  
717.234.7512

**MagJack**<sup>®</sup>

<http://www.stewartconnector.com>

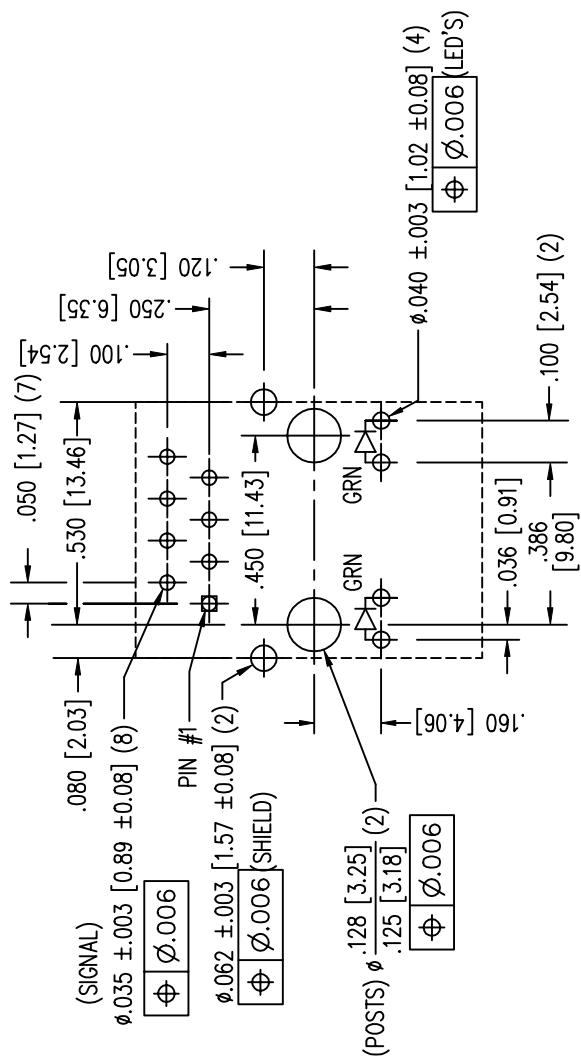
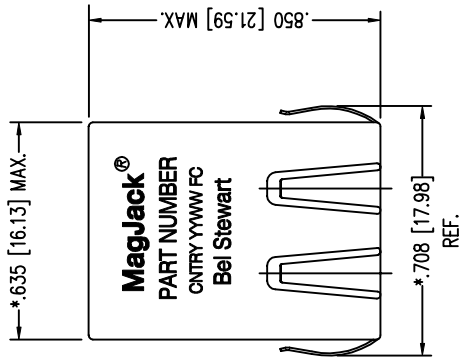
SHEET  
2 OF 4

DRAWING NO.

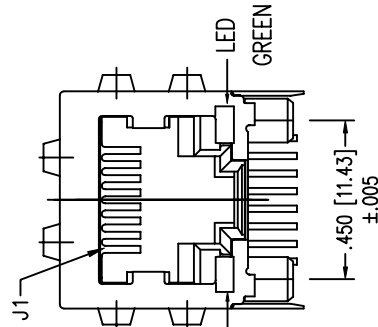
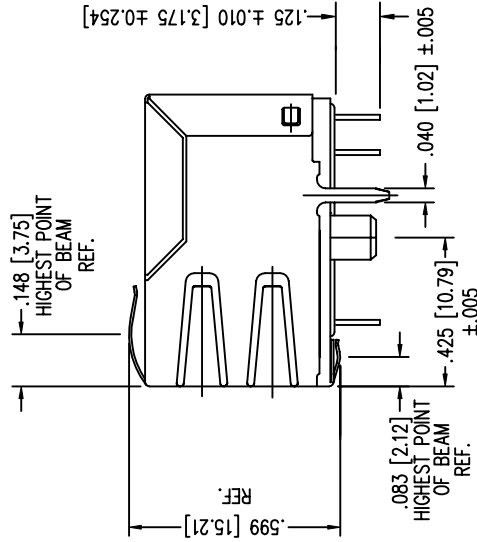
CH0042-SL2

REV.

13



P.C.B. RECOMMENDED HOLE LAYOUT  
SEEN FROM COMPONENT SIDE  
ALL CENTERLINE DIMENSIONS ARE BASIC.



**RECTOR MATERIALS:**

SING: THERMOPLASTIC UL94 V-0  
FACT/SHIELD: COPPER ALLOY  
LD PLATING: NICKEL OR TIN  
TACT PLATING: SELECTIVE GOLD,  
50 MICRO-INCHES MIN. IN CONTACT AREA.

NOT ELECTRICALLY CONNECTED MAYBE OMITTED.

ELECTRICAL DRAWING FOR OMITTED PINS.

RANGES COMPLY WITH F.C.C. DIMENSION REQUIREMENTS.

E SOLDER COMPATIBLE - PREHEAT 125°C/90SECS.

TEMPERATURE REFLOW COMPATIBLE - 230°C/90 SEC MAX.

LED SPECIFICATION			
STANDARD LED	WAVELENGTH	* Forward V (MAX)	(TYP)
GREEN	565 nm	2.5 V	2.1 V

\*WITH A FORWARD CURRENT OF 20 mA

**Bel Stewart Connector**  
11118 Susquehanna Trail, South  
Glen Rock, Pa 17327-9199  
717.234.7512

**MagJack®**

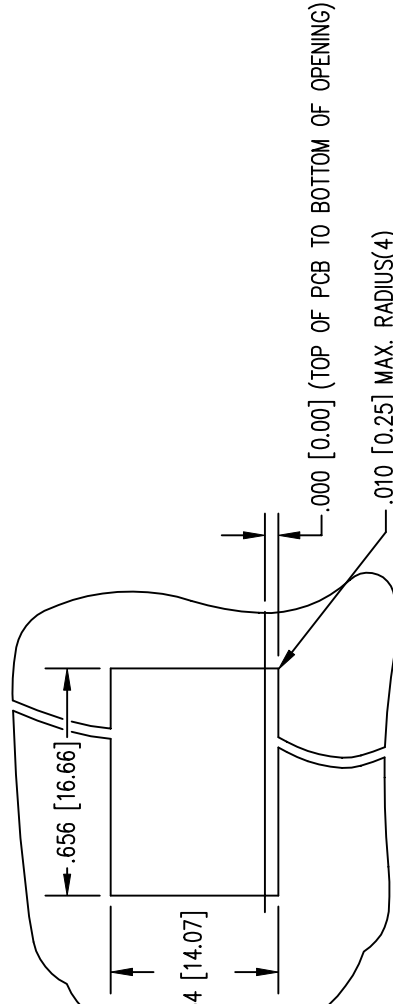
<http://www.stewartconnector.com>

SHEET  
3 OF 4

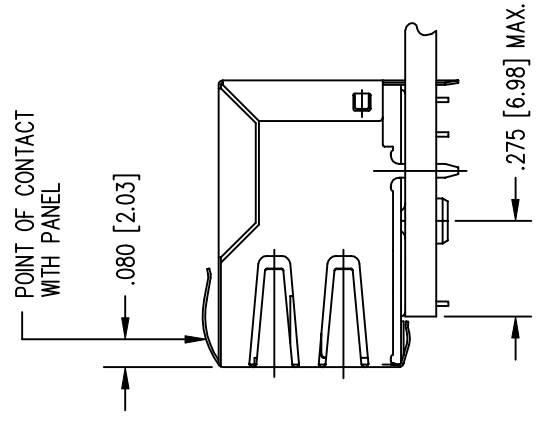
DRAWING NO.  
CH0042-SL2

REV.

12



SUGGESTED PANEL OPENING



THE SUGGESTED PANEL OPENING IS INTENDED TO GIVE THE USER THE ABILITY TO HAVE REASONABLE JACK / PANEL CLEARANCES YET MAINTAIN RELIABLE GROUNDING CAPABILITY.

**Bel Stewart Connector**  
 11118 Susquehanna Trail, South  
 Glen Rock, Pa 17327-9199  
 717.234.7512

**MagJack<sup>®</sup>**

<http://www.stewartconnector.com>

SHEET  
 4 OF 4

DRAWING NO.  
 CH0042-SL2

REV.  
 12