

TRIPLE-BALANCED MIXER

CONNECTORIZED MODEL: CMK-3500

WIDE BANDWIDTH

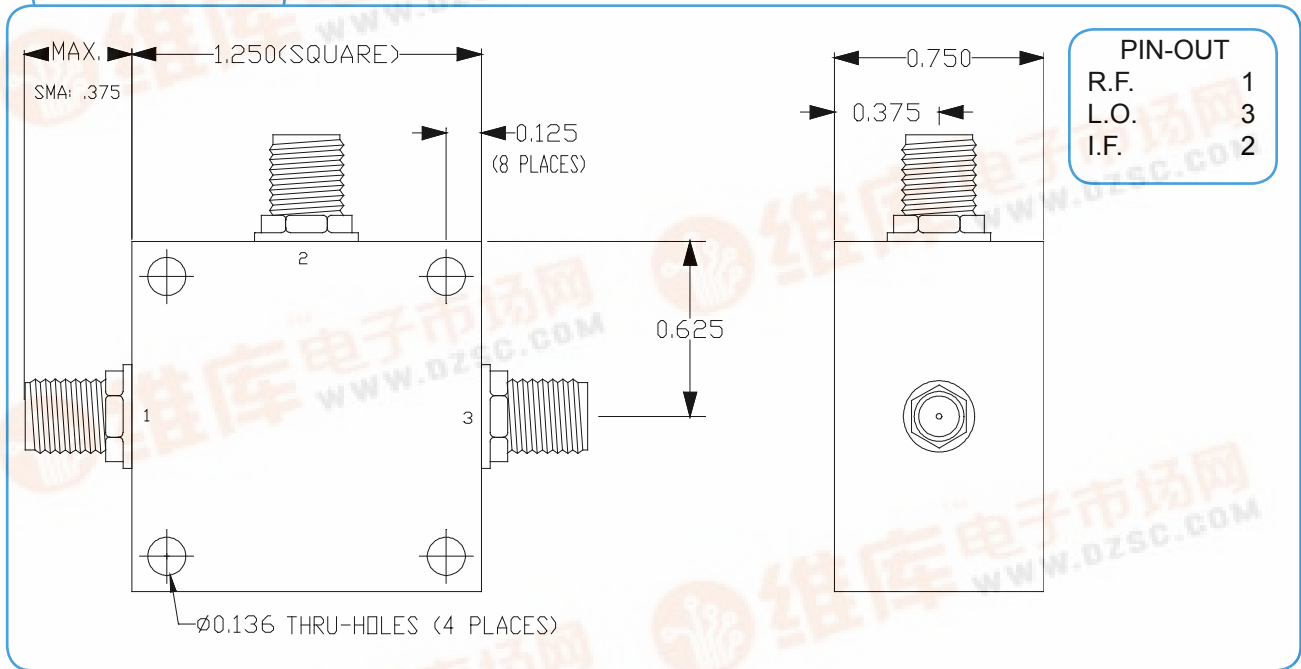
1 - 3500 MHz

SPECIFICATIONS: (Rev. B 02/22/07)

Operating Frequency:		Conversion Loss (dB): (Typ/Max)	7.8 / 8.7
LO / RF:	10 - 3500 MHz	LO Power:	+17 dBm(Nom)
IF:	1 - 2000 MHz	Input IP3 (dBm): (Typ/Min)	+28 / +23
Isolation (dB):	(Typ/Min)	1 dB Compression Point:	+14 dBm (Typ)
LO/RF	35/25	Impedance:	50 Ohms (Nom)
LO/IF	30/20	Operating Temperature Range:	-55°C to +85°C
RF/IF	25/20		



MECHANICAL OUTLINE: 110



TRIPLE-BALANCED MIXER

CONNECTORIZED MODEL: CMK-3500

WIDE BANDWIDTH

1 - 3500 MHz

PERFORMANCE PLOTS

