


CMOD3003
SURFACE MOUNT
ULTRAmimi™
LOW LEAKAGE
SILICON SWITCHING DIODE

ULTRAmimi™



SOD-523 CASE

Central™

Semiconductor Corp.

DESCRIPTION:

The CENTRAL SEMICONDUCTOR CMOD6001 type is a silicon switching diode manufactured by the epitaxial planar process, epoxy molded in a ULTRAmimi™ surface mount package, designed for switching applications requiring a extremely low leakage diode.

MARKING CODE: 3C

MAXIMUM RATINGS: (T_A=25°C)

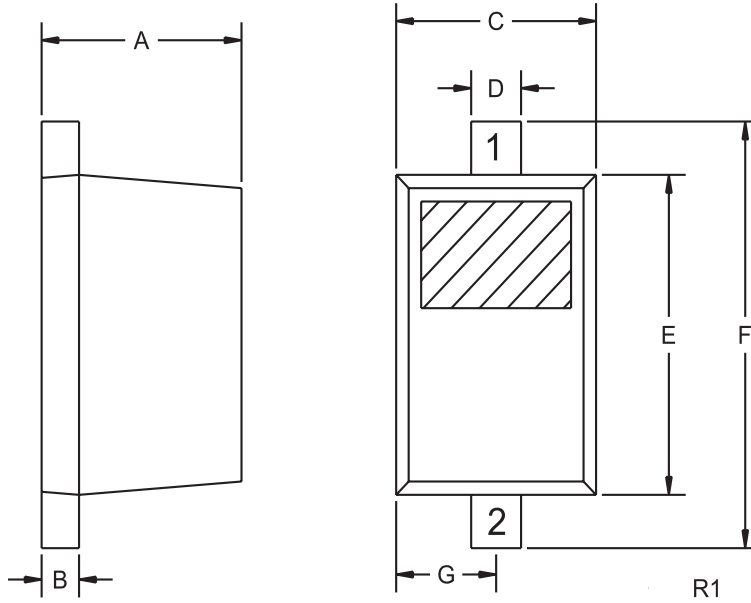
	SYMBOL		UNITS
Continuous Reverse Voltage	V _R	180	V
Average Rectified Current	I _O	200	mA
Continuous Forward Current	I _F	600	mA
Peak Repetitive Forward Current	I _{FRM}	700	mA
Forward Surge Current, tp=1.0 μsec.	I _{FSM}	2.0	A
Forward Surge Current, tp=1.0 sec.	I _{FSM}	1.0	A
Power Dissipation	P _D	250	mW
Operating and Storage			
Junction Temperature	T _J , T _{stg}	-65 to +150	°C
Thermal Resistance	θ _{JA}	500	°C/W

ELECTRICAL CHARACTERISTICS: (T_A=25°C unless otherwise noted)

SYMBOL	TEST CONDITIONS	MIN	MAX	UNITS
I _R	V _R =125V		1.0	nA
I _R	V _R =125V, T _A =150°C		3.0	μA
I _R	V _R =180V		10	nA
I _R	V _R =180V, T _A =150°C		5.0	μA
BV _R	I _R =5.0μA	200		V
V _F	I _F =1.0mA	0.62	0.72	V
V _F	I _F =10mA	0.72	0.83	V
V _F	I _F =50mA	0.80	0.89	V
V _F	I _F =100mA	0.83	0.93	V
V _F	I _F =200mA	0.87	1.10	V
V _F	I _F =300mA	0.90	1.15	V
C _T	V _R =0, f=1 MHz		4.0	pF

R0 (07-June 2004)

SOD-523 CASE - MECHANICAL OUTLINE



LEAD CODE:

- 1) CATHODE
- 2) ANODE

MARKING CODE: 3C

SYMBOL	DIMENSIONS			
	INCHES		MILLIMETERS	
	MIN	MAX	MIN	MAX
A	0.020	0.031	0.50	0.80
B	0.004	0.008	0.10	0.20
C	0.028	0.035	0.70	0.90
D	0.008	0.011	0.20	0.28
E	0.039	0.055	1.00	1.40
F	0.055	0.071	1.40	1.80
G		0.016		0.40

SOD-523 (REV: R1)