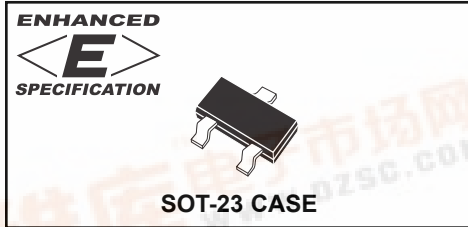


CMPTA42E NPN
CMPTA92E PNP

**ENHANCED SPECIFICATION
SURFACE MOUNT
COMPLEMENTARY
HIGH VOLTAGE SILICON TRANSISTORS**



CentralTM Semiconductor Corp.

DESCRIPTION:

The Central Semiconductor CMPTA42E & CMPTA92E types are Enhanced versions of the CMPTA42 & CMPTA92 complementary surface mount high voltage transistors.

**MARKING CODES: CMPTA42E: C1DE
CMPTA92E: C2DE**

FEATURED ENHANCED SPECIFICATIONS:

- ◆ BV_{CBO} from 300V min to 350V min.
- ◆ BV_{CEO} from 300V min to 350V min.
- ◆ h_{FE} from 25 min to 50 min.

MAXIMUM RATINGS: ($T_A=25^{\circ}C$)

- ◆ **Collector-Base Voltage**
- ◆ **Collector-Emitter Voltage**
- Emitter-Base Voltage
- Collector Current
- Power Dissipation
- Operating and Storage
Junction Temperature
- Thermal Resistance

SYMBOL

SYMBOL		UNITS
V_{CBO}	350	V
V_{CEO}	350	V
V_{EBO}	6.0	V
I_C	500	mA
P_D	350	mW
T_J, T_{stg}	-65 to +150	$^{\circ}C$
Θ_{JA}	357	$^{\circ}C/W$

ELECTRICAL CHARACTERISTICS: ($T_A=25^{\circ}C$ unless otherwise noted)

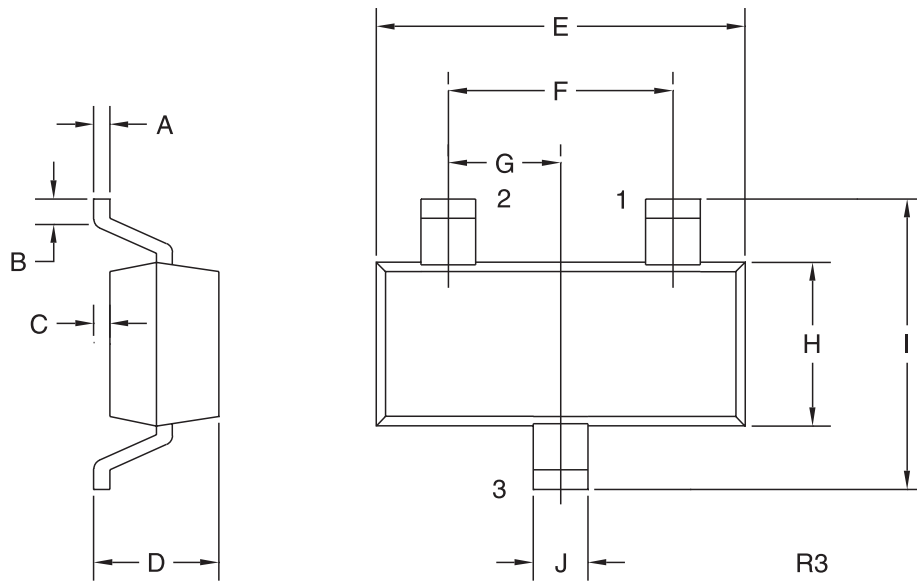
SYMBOL	TEST CONDITIONS	TYP			UNITS	
		MIN	CMPTA42E	CMPTA92E		
I_{CBO}	$V_{CB}=200V$			250	nA	
I_{EBO}	$V_{BE}=3.0V$			100	nA	
◆ BV_{CBO}	$I_C=100\mu A$	350	590	500	V	
◆ BV_{CEO}	$I_C=1.0mA$	350	475	450	V	
BV_{EBO}	$I_E=100\mu A$	6.0	8.7	9.6	V	
◆ $V_{CE(SAT)}$	$I_C=50mA, I_B=5.0mA$		125	150	350	mV
$V_{BE(SAT)}$	$I_C=20mA, I_B=2.0mA$				0.9	V
◆ h_{FE}	$V_{CE}=10V, I_C=1.0mA$	50	110	105		
◆ h_{FE}	$V_{CE}=10V, I_C=10mA$	50	110	105		
◆ h_{FE}	$V_{CE}=10V, I_C=30mA$	50	110	105		
f_T	$V_{CE}=20V, I_C=10mA, f=100MHz$	50	75	75	MHz	
C_{ob}	$V_{CB}=20V, I_E=0, f=1.0MHz$				6.0	pF

- ◆ Enhanced specification.

R2 (10-October 2003)

**ENHANCED SPECIFICATION
SURFACE MOUNT
COMPLEMENTARY
HIGH VOLTAGE SILICON
TRANSISTORS**

SOT-23 CASE - MECHANICAL OUTLINE



LEAD CODE:

- 1) BASE
- 2) EMITTER
- 3) COLLECTOR

MARKING CODE:

CMPTA42E: C1DE
CMPTA92E: C2DE

SYMBOL	DIMENSIONS			
	INCHES		MILLIMETERS	
	MIN	MAX	MIN	MAX
A	0.003	0.007	0.08	0.18
B	0.006	-	0.15	-
C	-	0.005	-	0.13
D	0.035	0.043	0.89	1.09
E	0.110	0.120	2.80	3.05
F	0.075		1.90	
G	0.037		0.95	
H	0.047	0.055	1.19	1.40
I	0.083	0.098	2.10	2.49
J	0.014	0.020	0.35	0.50

SOT-23 (REV: R3)