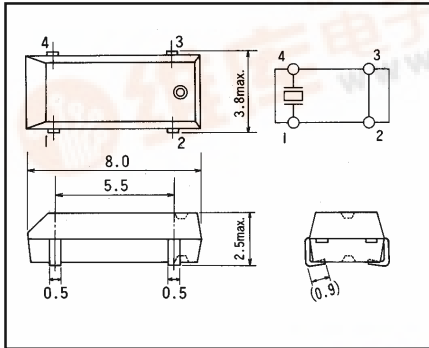




32.768 kHz



**Hohe Zuverlässigkeit für Reflow-Lötbedingungen**

Der CM200S Uhrenquarz enthält einen kunststoffumspritzten Zylinderquarz.  
Die Auslieferform erfolgt im Blistergurt gemäß der Zeichnung auf der nächsten Seite.

**High Reliability for reflow solderability**

The CM200S watch crystal is a plastic moulded cylinder crystals.  
Supply with tape and reel – see drawing on the next page.

Nominal Frequency	32.768 kHz
Frequency Tolerance	±30 ppm (at 25°C ±2°C)
Turnover Temperature	+25°C ±5°C
Frequency Temperature Coefficient	-0.034 ±0.006 ppm/°C <sup>2</sup> typ.
Frequency Stability	±50 ppm (*NOTE 1)
Operating Temperature Range	-40°C ~ +85°C
Storage Temperature Range	-55°C ~ +125°C
Shunt Capacitance C <sub>0</sub>	1.35 pF typ.
Motional Capacitance C <sub>1</sub>	3 fF typ.
Capacitance Ratio	450 typ.
Equivalent Series Resistance (R <sub>1</sub> )	50kΩ max.
Load Capacitance (C <sub>L</sub> )	12.5 pF
Drive Level	1 μW max.
Aging (First Year)	± 3 ppm max.
Shock Resistance (*NOTE 2)	± 5 ppm max.
Insulation Resistance	500MΩ min at. 100 VDC ±15 V
Leakage	0,01ppm atm. cc/sec max.

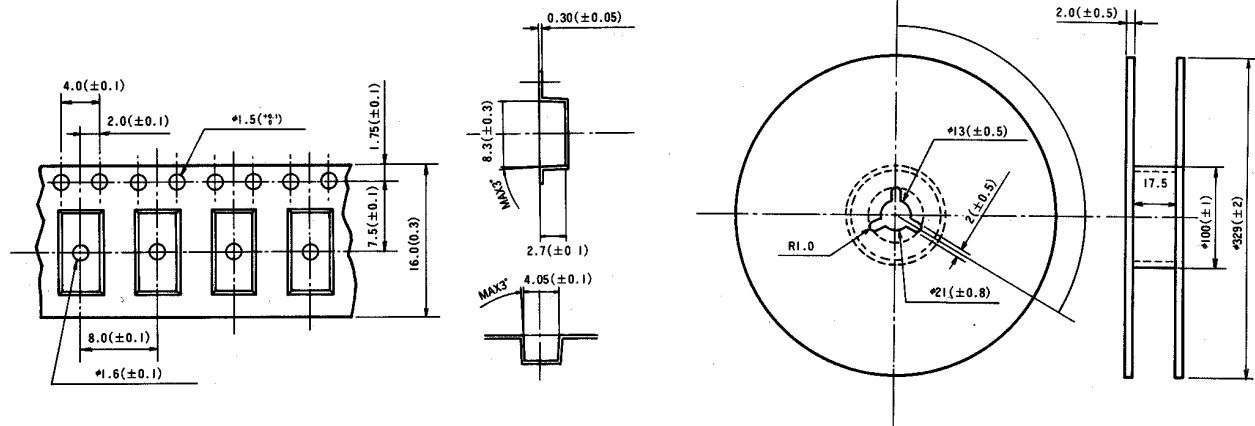
\*NOTE 1: Referred to +25°C within -10°C to +60°C.

\*NOTE 2: Drop test of 3 times on a hard wooden board from 75cm height.

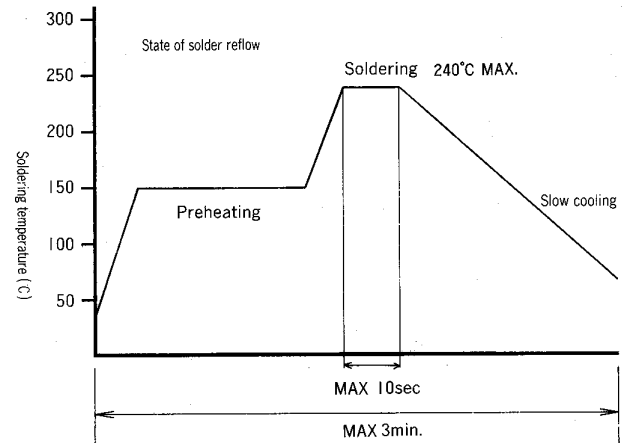
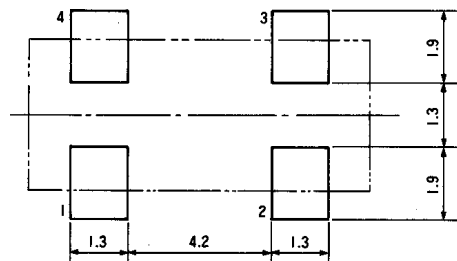


32.768 kHz

**Gurtung (Taping)**



**Anschlußbelegung (Pad Location)**



Bestempelung (Marking)
1 Zeile
7 Zeichen, Frequenz incl. Dezimalpunkt
1 line
7 digits, incl. decimal point

Gurtung (Taping)
1000 Stück pro Rolle
1000 pieces per reel

Anschlüsse (Pin Connections)	
# 1	Quarz (Crystal)
# 2	N.C.
# 3	N.C.
# 4	Quarz (Crystal)