

TUNING FORK CRYSTAL UNIT (SMD • Ceramic Package)

RoHS Compliant Standard

CM519

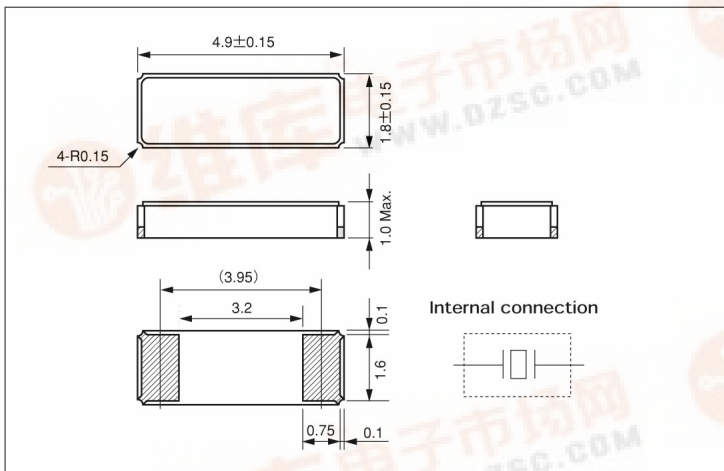
3000pcs/reel



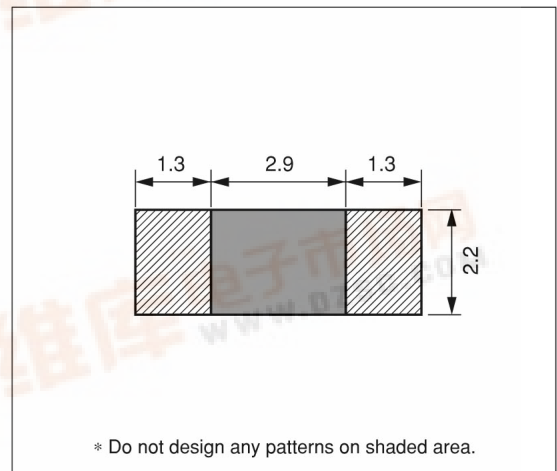
FEATURES

- Tuning fork crystal with ceramic packaged type.
- Small & thin packaging and light weight.
- Most appropriate for portable devices and mobile telecommunications devices.
- Complete Pb free product.

DIMENSION [mm]



SOLDER PAD LAYOUT [mm]



STANDARD SPECIFICATIONS

Item	Model	CM519	Conditions
Nominal Frequency	f_0	32.768kHz	
Frequency Tolerance	$\Delta f/f_0$	± 20 ppm	at 25°C
Load capacitance	C_L	12.5pF	Need to specify your requirement
Operating Temperature Range	T_{OPR}	$-40^\circ\text{C} \sim +85^\circ\text{C}$	
Storage Temperature Range	T_{STR}	$-55^\circ\text{C} \sim +125^\circ\text{C}$	
Turnover Temperature	T_M	$25^\circ\text{C} \pm 5^\circ\text{C}$	See figure 2 in P4
Temperature Coefficient	β	-0.034 ± 0.006 ppm/ $^\circ\text{C}^2$	
Motional (series) resistance	R_1	70K Ω Max.	at 25°C
Level of drive	DL	1 μ W Max.	
Aging (first year)	$\Delta f/f_0$	± 3 ppm Max.	$25^\circ\text{C} \pm 3^\circ\text{C}$
Quality Factor	Q	65000 Typ.	
Shunt capacitance	C_0	1.33pF Typ.	

