

CERAMIC SURFACE MOUNT LOW PROFILE MICROPROCESSOR CRYSTAL

ABMM1



RoHS
Compliant



7.0 x 5.0 x 1.0 mm

FEATURES:

- Suitable for reflow
- Low in height - suitable for thin equipment
- AT-strip cut offers a tight tolerance & stability

APPLICATIONS:

- Computers, Modems, Microprocessors
- Communication, Test equipment
- PCMCIA

STANDARD SPECIFICATIONS:

PARAMETERS	
ABRACON P/N	ABMM1 Series
Frequency Range	8.0 MHz to 125 MHz
Operation Mode	AT (see option) Fundamental 8.0 MHz - 33.0 MHz Third-Overtone for F ~ 33.01 MHz - 125 MHz
Operating Temperature	- 10°C to + 60°C (see options)
Storage Temperature	- 40°C to + 85°C
Frequency Tolerance at +25°C	± 50 ppm max. (see options)
Frequency Stability over the Operating Temp. (Ref to +25°C)	± 50 ppm max. (see Table 1); ± 100 ppm @ -10 °C to + 60° C for Fundamental BT
Equivalent Series Resistance	See Table 1
Shunt Capacitance C ₀	7pF max.
Load Capacitance C _L	18pF (see options)
Drive Level	500µW max., 100µW typical
Aging at 25°C Per Year	± 5ppm max.
Insulation Resistance	500MW min at 100Vdc ± 15V

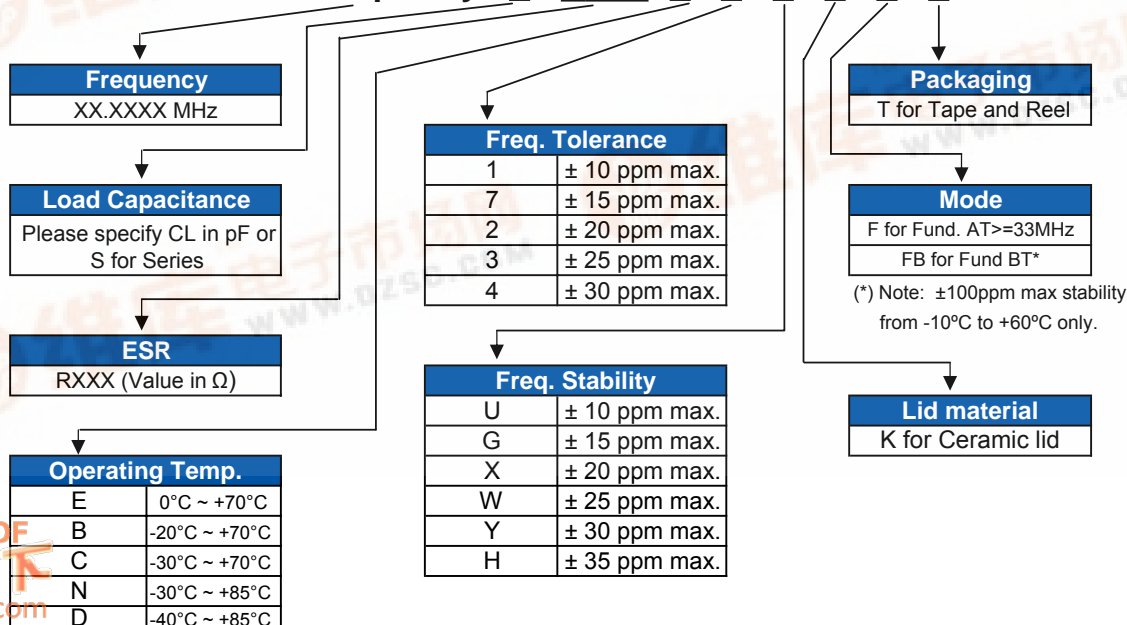
TABLE 1

Frequency (MHz)	ESR (Ω)
8.000 - 11.999(Fund)	70
12.000 - 20.000(Fund)	50
20.000 - 33.000(Fund)	40
33.000 - 125.00(3rd O/T)	80

OPTIONS & PART IDENTIFICATION:

(Left blank if standard)

ABMM1 - Frequency - □ - R□□□ - □ - □ - □ - □ - □ - □ - □



CERAMIC SURFACE MOUNT LOW PROFILE MICROPROCESSOR CRYSTAL

ABMM1

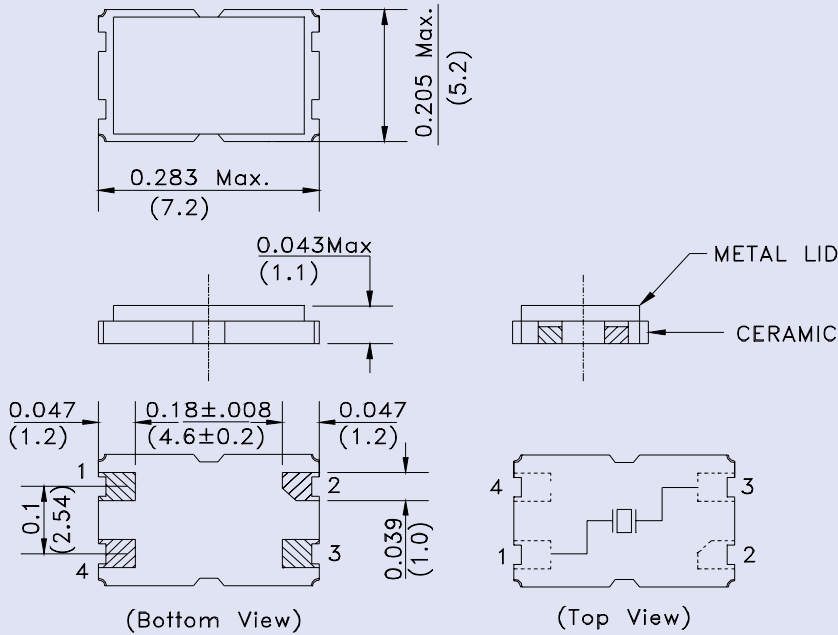


RoHS
Compliant



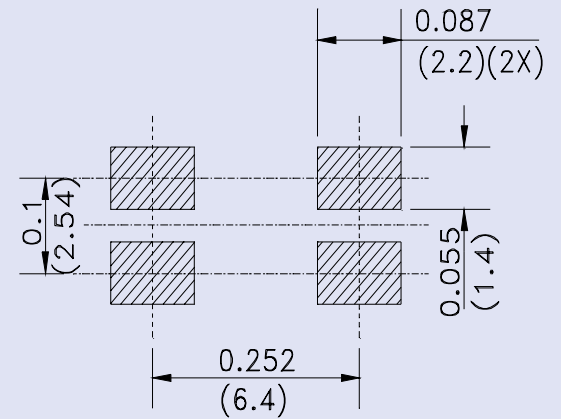
1.6 x 1.1 x 0.45 mm

OUTLINE DRAWING:



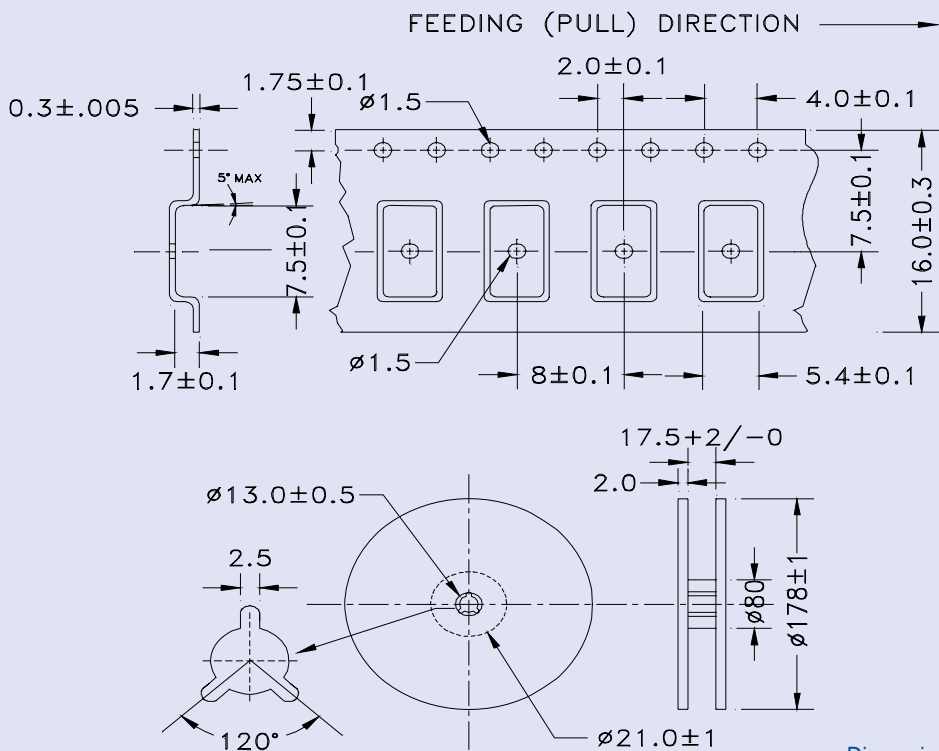
Pads 2 and 4 are connected to metal lid.

Recommended Land Pattern



Dimensions: mm

TAPE & REEL:



Dimensions: mm