

# ADNB-3532

## Low Power LED Integrated Slim Mouse Sensor



### Data Sheet



#### Description

The ADNB-3532 LED mouse bundle is a small form factor (SFF) LED illuminated navigation system. The bundle consists of an integrated chip-on-board (COB), LED mouse sensor ADNS-3530 and a SFF lens ADNS-3150-001.

The ADNS-3530 is a low-power optical navigation sensor. It has a new, low-power architecture and automatic power management modes, making it ideal for battery- and power-sensitive applications such as cordless input devices.

The ADNS-3530 is capable of high-speed motion detection — up to 20ips and 8G. In addition, it has an on-chip oscillator and integrated LED to minimize external components.

The ADNS-3530, along with the ADNS-3150-001 lens, forms a complete and compact mouse tracking system. There are no moving parts which means high reliability and less maintenance for the end user. In addition, precision optical alignment is not required, facilitating high volume assembly.

The bundle sensor is programmed via registers through a four-wire serial port. It is packaged in a 16 I/O surface mountable package.

#### Theory of Operation

The ADNS-3530 is based on Optical Navigation Technology, which measures changes in position by optically acquiring sequential surface images (frames) and mathematically determining the direction and magnitude of movement.

The ADNS-3530 contains an Image Acquisition System (IAS), a Digital Signal Processor (DSP), and a four wire serial port.

The IAS acquires microscopic surface images via the lens and illumination system. These images are processed by the DSP to determine the direction and distance of motion. The DSP calculates the  $\Delta x$  and  $\Delta y$  relative displacement values.

An external microcontroller reads the  $\Delta x$  and  $\Delta y$  information from the sensor serial port. The microcontroller then translates the data into PS2, USB, or RF signals before sending them to the host PC or game console.

#### Features

- Low power architecture
- Small form factor
- Surface mount technology (SMT) device
- Self-adjusting power-saving modes for longest battery life
- High speed motion detection up to 20ips and 8G
- Self-adjusting frame rate for optimum performance
- Motion detect pin output
- Internal oscillator – no clock input needed
- Selectable 500 and 1000 cpi resolution
- Wide operating voltage: 2.7V - 3.6V nominal
- Four wire serial port
- Minimal number of passive components
- Integrated chip-on-board LED

#### Applications

- Optical mice
- Optical trackballs
- Integrated input devices
- Battery-powered input device

Bundle Part Number	Part Number	Description
ADNB-3532	ADNS-3530	Integrated sensor
	ADNS-3150-001	Small form factor lens



## Pinout of ADNS-3530 Optical Mouse Sensor

Pin	Name	Description
1	MISO	Serial Data Output (Master In/Slave Out)
2	SCLK	Serial Clock Input
3	MOSI	Serial Data Input (Master Out/Slave In)
4	MOTION	Motion Detect (Active Low Output)
5	XY_LED	LED Control
6	LED_GND	Ground for LED Current
7	SHTDWN	Shutdown (Active High Input)
8	LED (+)	LED Positive Terminal
9	LED (-)	LED Negative Terminal
10	AVDD	Analog Supply Voltage
11	GND	Ground
12	GND	Ground
13	AGND	Analog Ground
14	VDD	Supply Voltage
15	GND	Ground
16	NCS	Chip Select (Active Low Input)

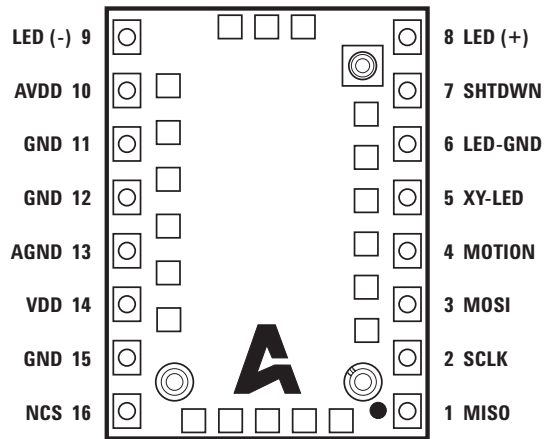
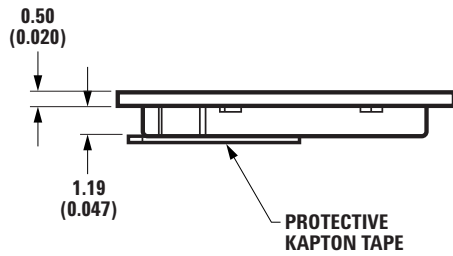
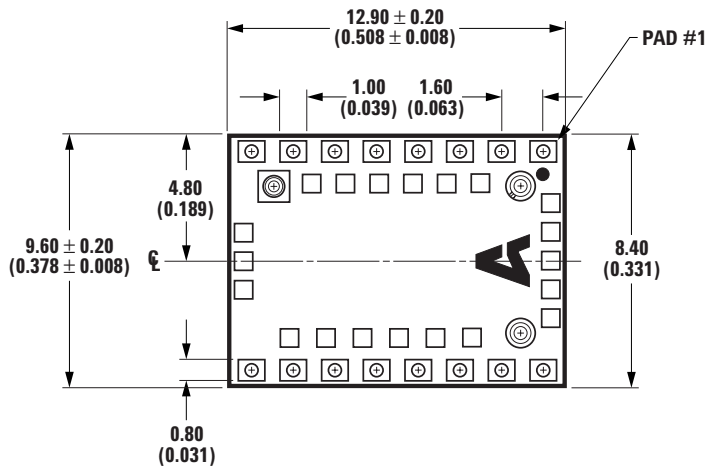
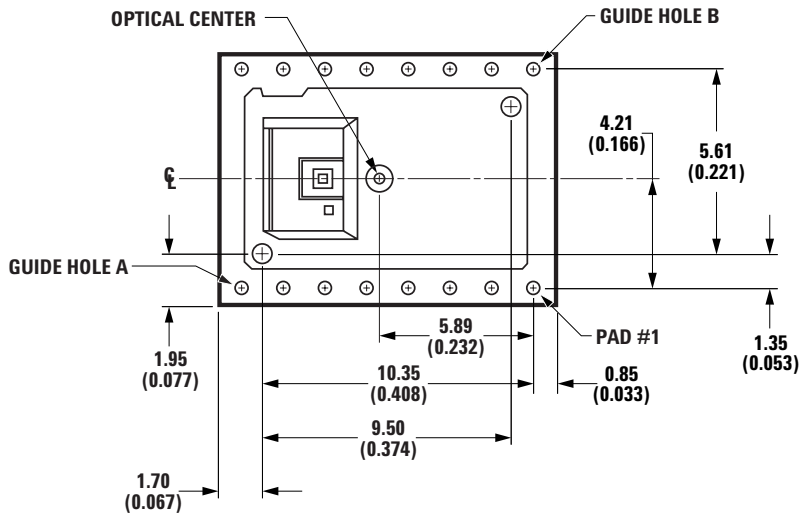


Figure 1. Package outline drawing (top view)



**NOTES:**

1. DIMENSIONS IN MILLIMETERS (INCHES).
2. COPLANARITY OF PADS:  $\pm 0.1$  mm
3. CUMULATIVE PITCH TOLERANCE:  $\pm 0.15$  mm
4. PAD PITCH TOLERANCE:  $\pm 0.1$  mm
5. MAXIMUM FLASH:  $+ 0.2$  mm
6. DIMENSIONAL TOLERANCE (UNLESS OTHERWISE STATED):  $\pm 0.15$  mm



**Figure 2. Package outline drawing**

**CAUTION:** It is advised that normal static precautions be taken in handling and assembly of this component to prevent damage and/or degradation which may be induced by ESD.

## Overview of Optical Mouse Sensor Assembly

Avago Technologies provides an IGES file drawing describing the base plate molding features for lens and PCB alignment.

The components interlock as they are mounted onto defined features on the base plate.

The ADNS-3530 sensor is designed for surface mounting on a PCB, looking down. There is an aperture stop and features on the package that align to the lens.

The ADNS-3150-001 lens provides optics for the imaging of the surface as well as illumination of the surface at the optimum angle. Features on the lens align it to the sensor and base plate.

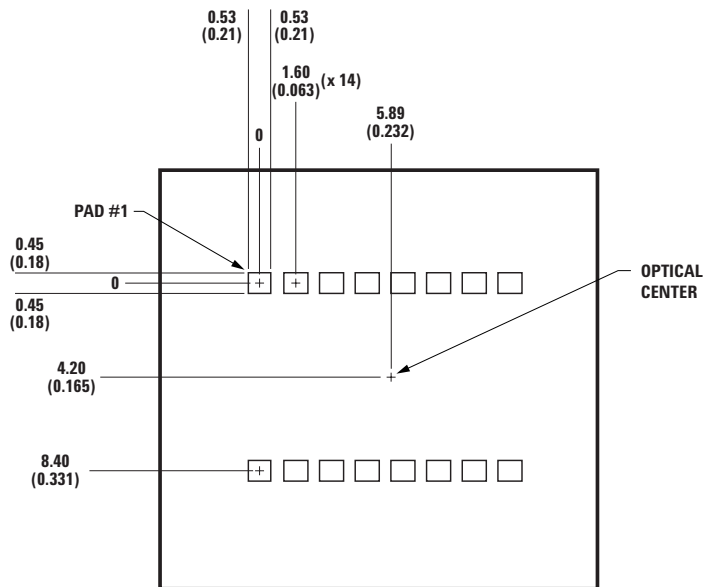


Figure 3. Recommended customer's PCB PADOUT and spacing

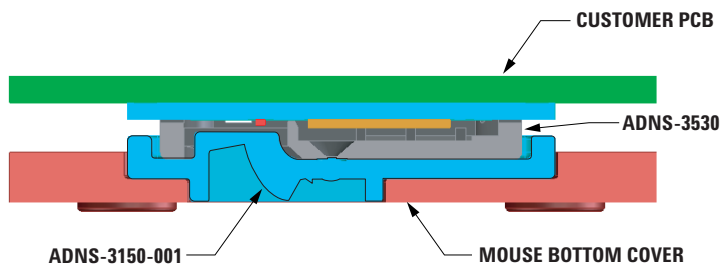


Figure 4. 2D assembly drawing of ADNB-3532

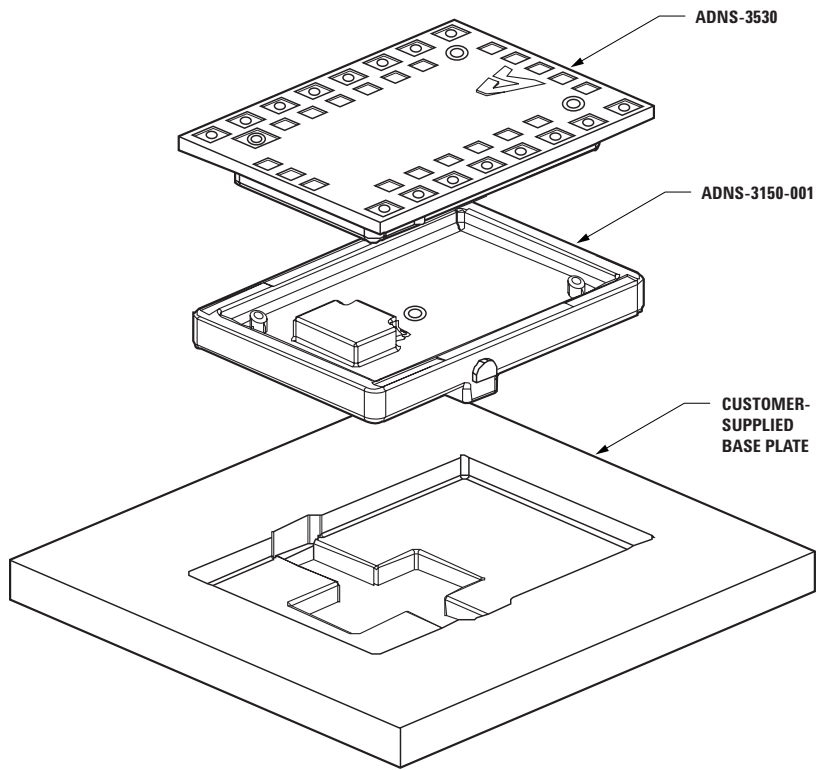


Figure 5a. Exploded top view

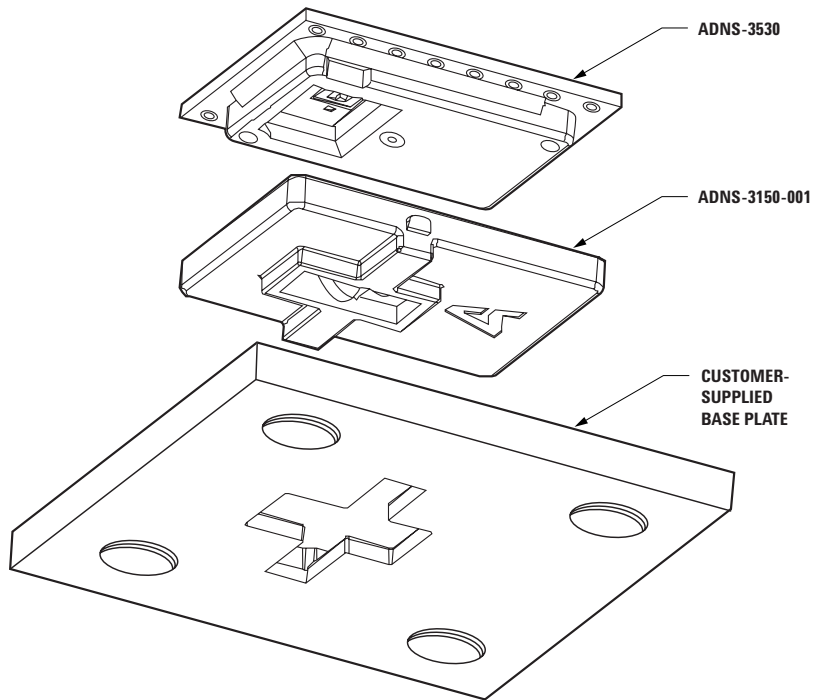


Figure 5b. Exploded bottom view

## PCB Assembly Considerations

1. Surface mount the sensor and all other electrical components into PCB.
2. Reflow the entire assembly in a no-wash solder process.
3. Place the lens onto the base plate. Care must be taken to avoid contaminating or staining the lens.
4. Remove the protective kapton tape from optical aperture of the sensor and LED. Care must be taken to keep contaminants from entering the aperture. Recommend not to place the PCB facing up during the entire mouse assembly process. Recommend to hold the PCB first vertically for the kapton removal process.
5. Insert PCB assembly over the lens onto the base plate aligning post to retain PCB assembly. The lens piece has alignment posts which will mate with the alignment holes on the sensor aperture.
6. The optical position reference for the PCB is set by the base plate and lens. Note that the PCB motion due to button presses must be minimized to maintain optical alignment.

7. Install mouse top case. There MUST be a feature in the top case to press down onto the sensor to ensure the sensor and lens components are interlocked to the correct vertical height.

## Design Considerations for Improved ESD Performance

For improved electrostatic discharge performance, typical creepage and clearance distance are shown in the table below. Assumption: base plate construction as per the Avago Technologies supplied IGES file and ADNS-3150-001 lens.

Typical Distance	Millimeters
Creepage	0.6
Clearance	2.76

Note that the lens material is polycarbonate and therefore, cyanoacrylate-based adhesives or other adhesives that may damage the lens should NOT be used.

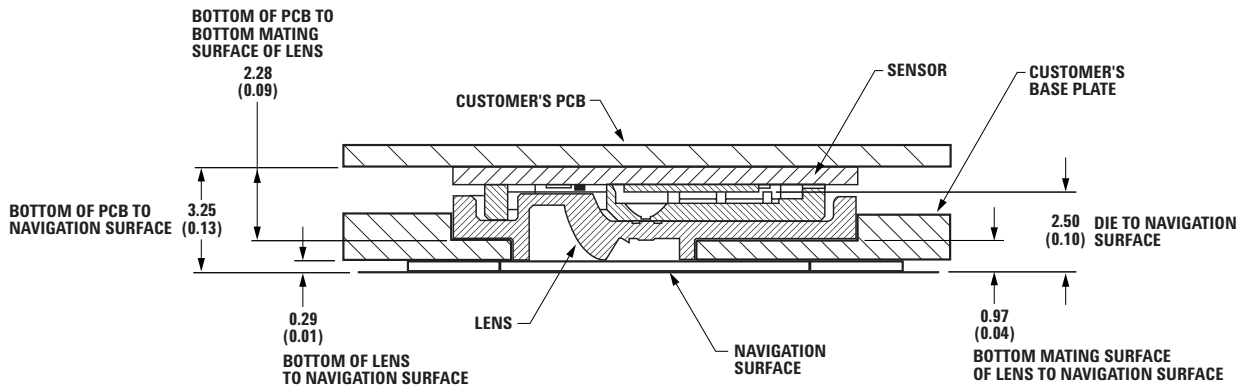


Figure 6a. Sectional view of PCB assembly

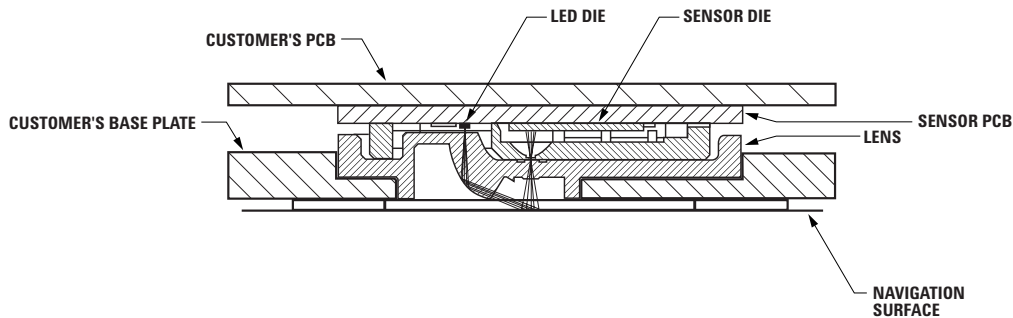
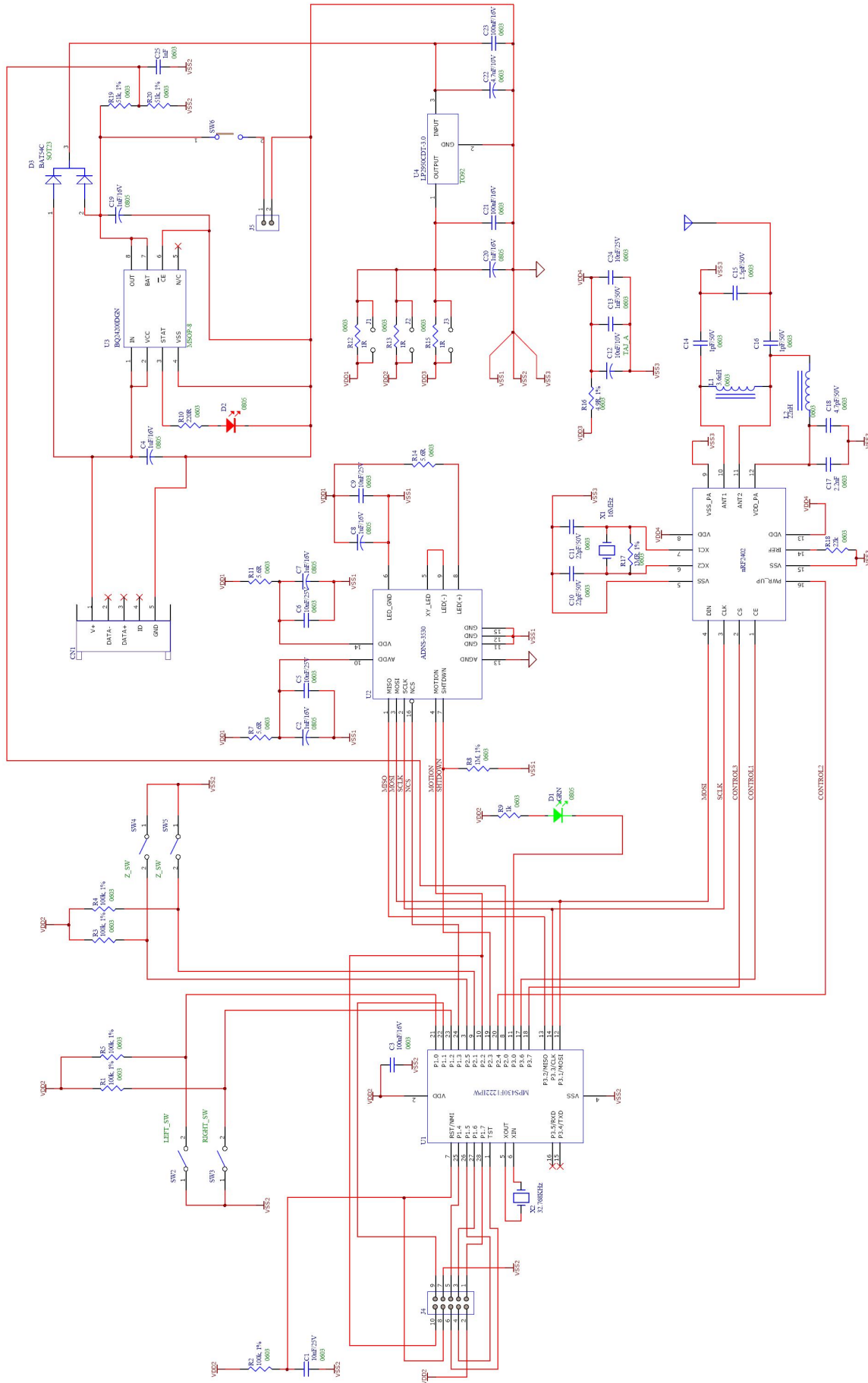


Figure 6b. Sectional view of PCB assembly highlighting optical mouse components



**Figure 7. Schematic diagram for interface between ADNS-350 and microcontroller**

Note: The supply and ground paths should be laid out using a star topology.

## Regulatory Requirements

- Passes FCC B and worldwide analogous emission limits when assembled into a mouse with shielded cable and following Avago Technologies recommendations.
- Passes IEC-1000-4-3 radiated susceptibility level when assembled into a mouse with shielded cable and following Avago Technologies recommendations.
- Passes EN61000-4-4/IEC801-4 EFT tests when assembled into a mouse with shielded cable and following Avago Technologies recommendations.
- UL flammability level UL94 V-0.

## Absolute Maximum Ratings

Parameter	Symbol	Minimum	Maximum	Units	Notes
Storage Temperature	$T_S$	-40	85	°C	
Lead Solder Temperature			260	°C	For 10 seconds, 1.6 mm below seating plane
Supply Voltage	$V_{DD}$	-0.5	3.7	V	
ESD (Sensor Only)			2	kV	All pins, human body model MIL 883 Method 3015
Input Voltage	$V_{IN}$	-0.5	$V_{DD} + 0.5$	V	All pins
Latchup Current	$I_{out}$		20	mA	All pins

## Recommended Operating Conditions

Parameter	Symbol	Minimum	Typical	Maximum	Units	Notes
Operating Temperature	$T_A$	0		40	°C	
Power Supply Voltage	$V_{DD}$	2.7		3.6	volts	Including noise
Power Supply Rise Time	$V_{RT}$	0.001		100	ms	0 to 2.8 V
Supply Noise (Sinusoidal)	$V_{NA}$			100	mVp-p	10 kHz - 50 MHz
Serial Port Clock Frequency	$f_{SCLK}$			1	MHz	Active drive, 50% duty cycle
Distance from Lens Reference Plane to Surface	$Z$	-0.1	0.97	+0.1	mm	Result in 0.1 mm DOF
Speed	$S$			20	in/sec	
Acceleration	$A$			8	G	

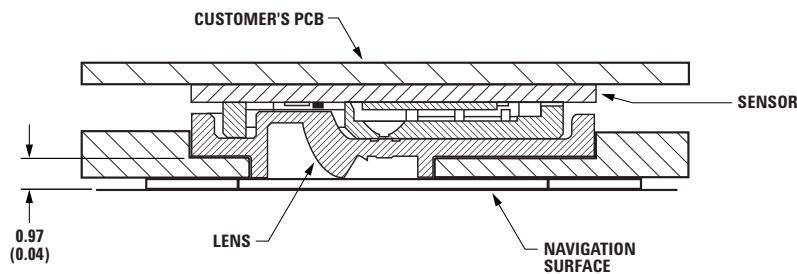


Figure 8. Distance from lens reference plane to surface



## AC Electrical Specifications

Electrical Characteristics over recommended operating conditions. Typical values at 25°C, V<sub>DD3</sub> = 2.85V.

Parameter	Symbol	Min.	Typical	Max.	Units	Notes
Motion Delay After Reset	t <sub>MOT-RST</sub>			23	ms	From POWER_UP_RESET register write to valid motion, assuming motion is present
Shutdown	t <sub>SHTDWN</sub>			50	ms	From SHTDWN pin active to low current
Wake from Shutdown	t <sub>WAKEUP</sub>	1			s	From SHTDWN pin inactive to valid motion. Notes: A RESET must be asserted after a shutdown. Refer to section "Notes on Shutdown and Forced Rest," also note t <sub>MOT-RST</sub>
Forced Rest Enable	t <sub>REST-EN</sub>			1	s	From RESTEN bits set to low current
Wake from Forced Rest	t <sub>REST-DIS</sub>			1	s	From RESTEN bits cleared to valid motion
MISO Rise Time	t <sub>r-MISO</sub>		150	300	ns	C <sub>L</sub> = 100 pF
MISO Fall Time	t <sub>f-MISO</sub>		150	300	ns	C <sub>L</sub> = 100 pF
MISO Delay After SCLK	t <sub>DLY-MISO</sub>			120	ns	From SCLK falling edge to MISO data valid, no load conditions
MISO Hold Time	t <sub>hold-MISO</sub>	0.5		1/f <sub>SCLK</sub>	μs	Data held until next falling SCLK edge
MOSI Hold Time	t <sub>hold-MOSI</sub>	200			ns	Amount of time data is valid after SCLK rising edge
MOSI Setup Time	t <sub>setup-MOSI</sub>	120			ns	From data valid to SCLK rising edge
SPI Time Between Write Commands	t <sub>SWW</sub>	30			μs	From rising SCLK for last bit of the first data byte, to rising SCLK for last bit of the second data byte
SPI Time Between Write and Read Commands	t <sub>SWR</sub>	20			μs	From rising SCLK for last bit of the first data byte, to rising SCLK for last bit of the second address byte
SPI Time Between Read and Subsequent Commands	t <sub>SRW</sub> t <sub>SRR</sub>	500			ns	From rising SCLK for last bit of the first data byte, to falling SCLK for the first bit of the address byte of the next command
SPI Read Address-Data Delay	t <sub>SRAD</sub>	4			μs	From rising SCLK for last bit of the address byte, to falling SCLK for first bit of data being read
NCS Inactive After Motion Burst	t <sub>BEXIT</sub>	500			ns	Minimum NCS inactive time after motion burst before next SPI usage
NCS to SCLK Active	t <sub>NCS-SCLK</sub>	120			ns	From NCS falling edge to first SCLK rising edge
SCLK to NCS Inactive (for Read Operation)	t <sub>SCLK-NCS</sub>	120			ns	From last SCLK rising edge to NCS rising edge, for valid MISO data transfer
SCLK to NCS Inactive (for Write Operation)	t <sub>SCLK-NCS</sub>	20			us	From last SCLK rising edge to NCS rising edge, for valid MOSI data transfer
NCS to MISO High-Z	t <sub>NCS-MISO</sub>			500	ns	From NCS rising edge to MISO high-Z state
MOTION Rise Time	t <sub>r-MOTION</sub>		150	300	ns	C <sub>L</sub> = 100 pF
MOTION Fall Time	t <sub>f-MOTION</sub>		150	300	ns	C <sub>L</sub> = 100 pF
SHTDWN Pulse Width	t <sub>p-SHTDWN</sub>	1			s	
Transient Supply Current	I <sub>DDT</sub>			45	mA	Max supply current during a V <sub>DD</sub> ramp from 0 to 2.8 V

## DC Electrical Specifications

Electrical Characteristics over recommended operating conditions. Typical values at 25°C,  $V_{DD}=2.85$  V.

Parameter	Symbol	Min.	Typical	Max.	Units	Notes
DC Supply Current in Various Modes	$I_{DD\_RUN}$		3.6	10	mA	Average current, including LED current. No load on MISO, MOTION.
	$I_{DD\_REST1}$		0.6	1.8		
	$I_{DD\_REST2}$		0.15	0.40		
	$I_{DD\_REST3}$		0.04	0.15		
Peak Supply Current				40	mA	Peak current in 100 kHz bandwidth, including LED current.
Shutdown Supply Current	$I_{DD\_SHTDWN}$	1		12	$\mu$ A	SCLK, MOSI and NCS must be within 300 mV of GND or $V_{DD}$ . SHTDWN must be within 300 mV of $V_{DD}$ .
Input Low Voltage	$V_{IL}$			0.5	V	SCLK, MOSI, NCS, SHTDWN
Input High Voltage	$V_{IH}$	$V_{DD} - 0.6$			V	SCLK, MOSI, NCS, SHTDWN
Input Hysteresis	$V_{I\_HYS}$		100		mV	SCLK, MOSI, NCS, SHTDWN
Input Leakage Current	$I_{leak}$		$\pm 1$	$\pm 10$	$\mu$ A	$V_{in} = V_{DD} - 0.6$ V, SCLK, MOSI, NCS, SHTDWN
Output Low Voltage	$V_{OL}$			0.7	V	$I_{out} = 1$ mA, MISO, MOTION
Output High Voltage	$V_{OH}$	$V_{DD} - 0.7$			V	$I_{out} = -1$ mA, MISO, MOTION
Input Capacitance	$C_{in}$			10	pF	MOSI, NCS, SCLK, SHTDWN

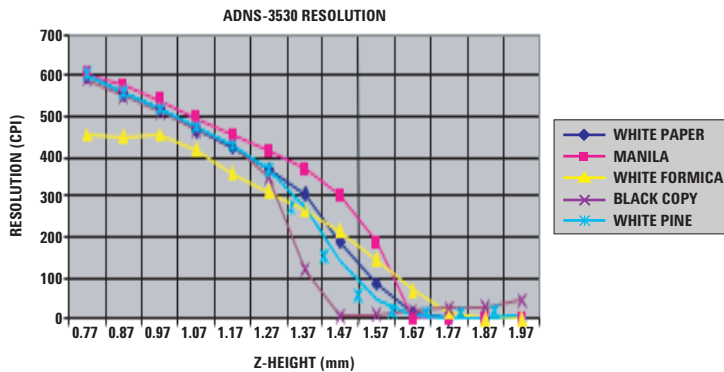


Figure 9. Mean resolution vs. Z

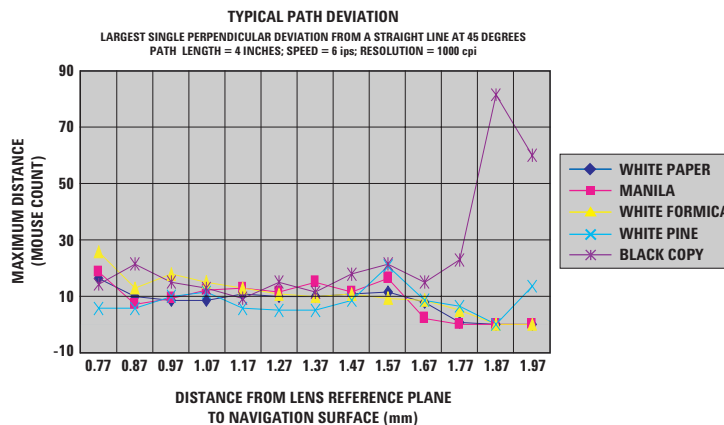


Figure 10. Typical path deviation vs. Z distance (mm)

Relationship of mouse count to distance =  $m$  (mouse count)/ $n$  (cpi). E.g.: Deviation of 7 mouse count =  $7/1000 = 0.007$  inch, where  $m = 7$ ,  $n = 1000$ .

## Power Management Modes

The ADNS-3530 has three power-saving modes. Each mode has a different motion detection period, affecting response time to mouse motion (Response Time). The sensor automatically changes to the appropriate mode, depending on the time since the last reported motion (Downshift Time). The parameters of each mode are shown in the following table.

Mode	Response Time (Nominal)	Downshift Time (Nominal)
Rest 1	16.5 ms	237 ms
Rest 2	82 ms	8.4 s
Rest 3	410 ms	504 s

## Motion Pin Timing

The motion pin is a level-sensitive output that signals the microcontroller when motion has occurred. The motion pin is lowered whenever the motion bit is set; in other words, whenever there is data in the Delta\_X or Delta\_Y registers. Clearing the motion bit (by reading Delta\_Y and Delta\_X, or writing to the Motion register) will put the motion pin high.

## LED Mode

For power savings, the LED will not be continuously on. ADNS-3530 will flash the LED only when needed.

## Synchronous Serial Port

The synchronous serial port is used to set and read parameters in the ADNS-3530, and to read out the motion information.

The port is a four wire serial port. The host microcontroller always initiates communication; the ADNS-3530 never initiates data transfers. SCLK, MOSI, and NCS may be driven directly by a microcontroller. The port pins may be shared with other SPI slave devices. When the NCS pin is high, the inputs are ignored and the output is tri-stated.

The lines that comprise the SPI port:

SCLK: Clock input. It is always generated by the master (the microcontroller).

MOSI: Input data. (Master Out/Slave In)

MISO: Output data. (Master In/Slave Out)

NCS: Chip select input (active low). NCS needs to be low to activate the serial port; otherwise, MISO will be high Z, and MOSI & SCLK will be ignored. NCS can also be used to reset the serial port in case of an error.

## Chip Select Operation

The serial port is activated after NCS goes low. If NCS is raised during a transaction, the entire transaction is aborted and the serial port will be reset. This is true for all transactions. After a transaction is aborted, the normal address-to-data or transaction-to-transaction delay is still required before beginning the next transaction. To improve communication reliability, all serial transactions should be framed by NCS. In other words, the port should not remain enabled during periods of non-use because ESD and EFT/B events could be interpreted as serial communication and put the chip into an unknown state. In addition, NCS must be raised after each burst-mode transaction is complete to terminate burst-mode. The port is not available for further use until burst-mode is terminated.

## Write Operation

Write operation, defined as data going from the microcontroller to the ADNS-3530, is always initiated by the microcontroller and consists of two bytes. The first byte contains the address (seven bits) and has a "1" as its MSB to indicate data direction. The second byte contains the data. The ADNS-3530 reads MOSI on rising edges of SCLK.

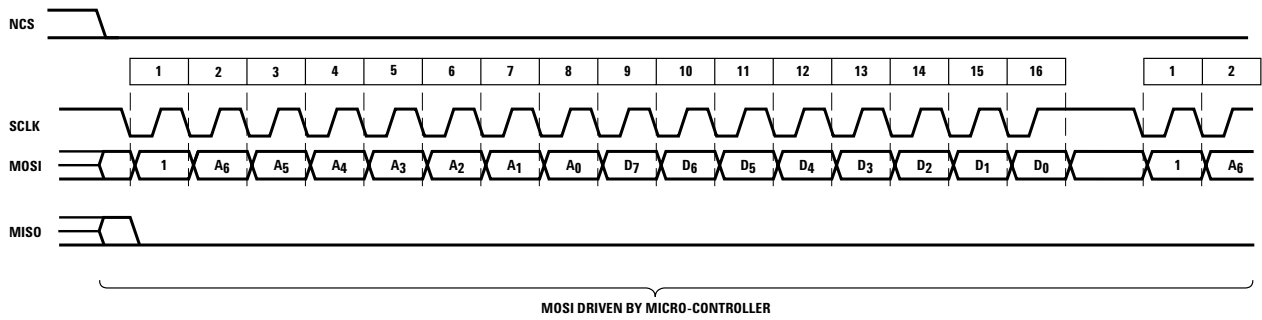


Figure 11. Write operation

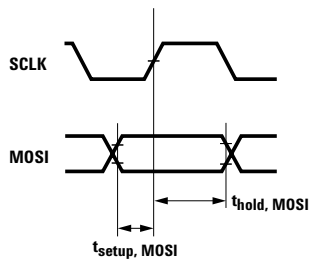


Figure 12. MOSI setup and hold time

## Read Operation

A read operation, defined as data going from the ADNS-3530 to the microcontroller, is always initiated by the microcontroller and consists of two bytes. The first byte contains the address, is sent by the microcontroller over MOSI, and has a "0" as its MSB to indicate data direction. The second byte contains the data and is driven by the ADNS-3530 over MISO. The sensor outputs MISO bits on falling edges of SCLK and samples MOSI bits on every rising edge of SCLK.

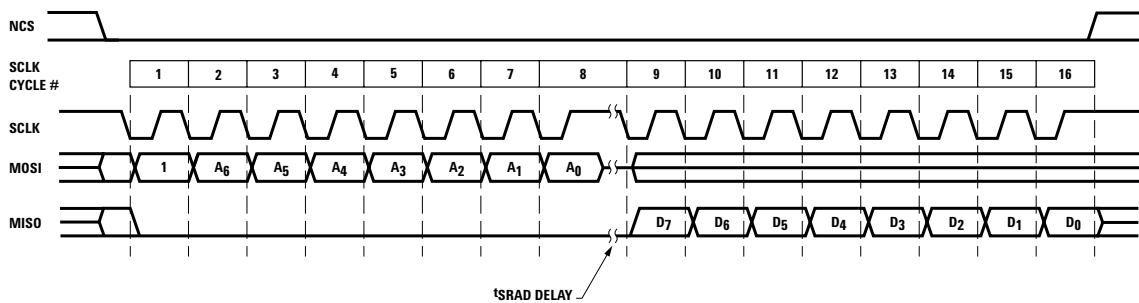


Figure 13. Read operation

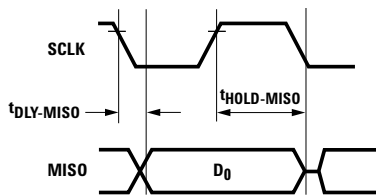


Figure 14. MISO delay and hold time

NOTE: The  $0.5/f_{SCLK}$  minimum high state of SCLK is also the minimum MISO data hold time of the ADNS-3530. Since the falling edge of SCLK is actually the start of the next read or write command, the ADNS-3530 will hold the state of data on MISO until the falling edge of SCLK.

### Required Timing Between Read and Write Commands

There are minimum timing requirements between read and write commands on the serial port.

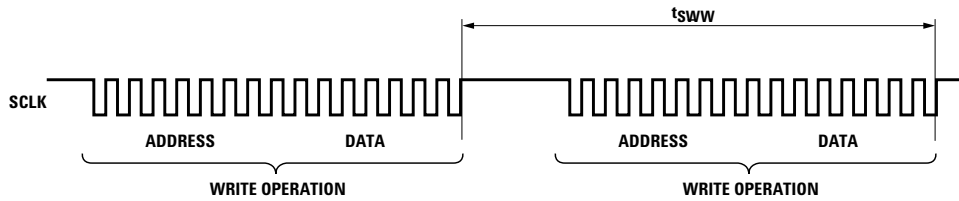


Figure 15. Timing between two write commands

If the rising edge of the SCLK for the last data bit of the second write command occurs before the required delay ( $t_{SWW}$ ), then the first write command may not complete correctly.

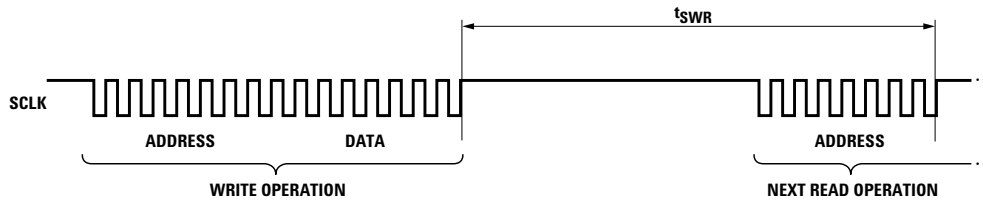


Figure 16. Timing between write and read commands

If the rising edge of SCLK for the last address bit of the read command occurs before the required delay ( $t_{SWR}$ ), the write command may not complete correctly.

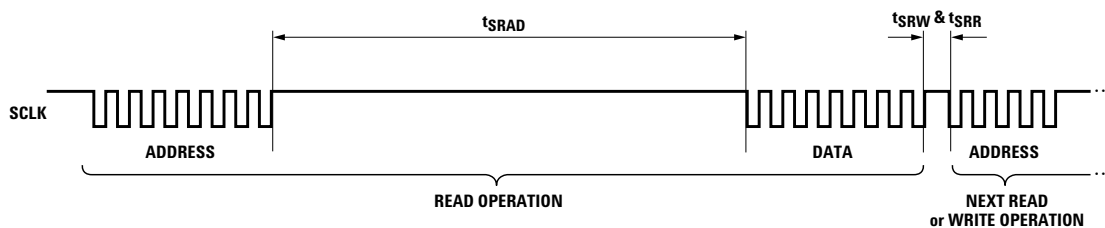


Figure 17. Timing between read and either write or subsequent read commands

During a read operation SCLK should be delayed at least  $t_{SRAD}$  after the last address data bit to ensure that the ADNS-3530 has time to prepare the requested data. The falling edge of SCLK for the first address bit of either the read or write command must be at least  $t_{SRR}$  or  $t_{SRW}$  after the last SCLK rising edge of the last data bit of the previous read operation.

### Burst Mode Operation

Burst mode is a special serial port operation mode that may be used to reduce the serial transaction time for a motion read. The speed improvement is achieved by continuous data clocking from multiple registers without the need to specify the register address, and by not requiring the normal delay period between data bytes.

Burst mode is activated by reading the Motion\_Burst register. The ADNS-3530 will respond with the contents of the Motion, Delta\_Y, Delta\_X, SQUAL, Shutter\_Upper,

Shutter\_Lower and Maximum\_Pixel registers in that order. The burst transaction can be terminated after the first three bytes of the sequence are read by bringing the NCS pin high. After sending the register address, the microcontroller must wait  $t_{SRAD}$  and then begin reading data. All data bits can be read with no delay between bytes by driving SCLK at the normal rate. The data is latched into the output buffer after the last address bit is received. After the burst transmission is complete, the microcontroller must raise the NCS line for at least  $t_{BEXIT}$  to terminate burst mode. The serial port is not available for use until it is reset with NCS, even for a second burst transmission.

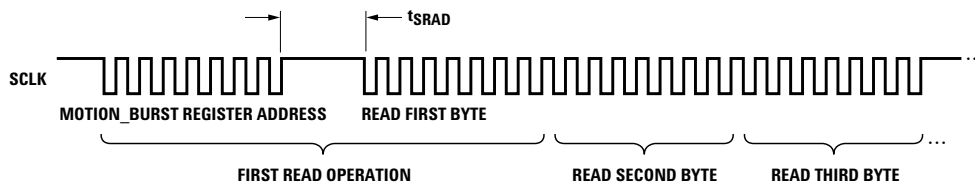


Figure 18. Motion burst timing

### Notes on Power-Up

The ADNS-3530 does not perform an internal power up self-reset; the POWER\_UP\_RESET register must be written every time power is applied. The appropriate sequence is as follows:

1. Apply power
2. Drive NCS high, then low to reset the SPI port
3. Write 0x5a to register 0x3a

4. Read from registers 0x02, 0x03 and 0x04 (or read these same three bytes from burst motion register 0x42) one time regardless the state of the motion pin.

During power-up there will be a period of time after the power supply is high but before any clocks are available. The table below shows the state of the various pins during power-up and reset.

Pin	State of Signal Pins After V <sub>DD</sub> is Valid			
	On Power-Up	NCS High Before Reset	NCS Low Before Reset	After Reset
NCS	Functional	High	Low	Functional
MISO	Undefined	Undefined	Functional	Depends on NCS
SCLK	Ignored	Ignored	Functional	Depends on NCS
MOSI	Ignored	Ignored	Functional	Depends on NCS
XY_LED	Undefined	Undefined	Undefined	Functional
MOTION	Undefined	Undefined	Undefined	Functional
SHTDWN	Must Be Low	Must Be Low	Must Be Low	Functional

### Notes on Shutdown and Forced Rest

The ADNS-3530 can be set in Rest mode through the Configuration\_Bits register (0x11). This is to allow for further power savings in applications where the sensor does not need to operate all the time.

The ADNS-3530 can be set in Shutdown mode by asserting the SHTDWN pin. For proper operation, SHTDWN pulse width must be at least  $t_{SHTDWN}$ . Shorter pulse widths may cause the chip to enter an undefined state. In addition, the SPI port should not be accessed when SHTDWN is asserted. (Other ICs on the same SPI bus can be accessed, as long as the sensor's NCS pin is not asserted.) The table below shows the state of various pins during shutdown. After deasserting SHTDWN, a full reset must be initiated. Wait  $t_{WAKEUP}$  before accessing the SPI port, then write 0x5A to the POWER\_UP\_RESET register. Any register settings must then be reloaded.

Pin	SHTDWN active
NCS	Functional*
MISO	Undefined
SCLK	Undefined
MOSI	Undefined
XY_LED	Low Current
MOTION	Undefined

\*NCS pin must be held to 1 (high) if SPI bus is shared with other devices. It can be in either state if the sensor is the only device in addition to the microcontroller.

**Note:** There are long wakeup times from shutdown and forced Rest. These features should not be used for power management during normal mouse motion.

### Registers

The ADNS-3530 registers are accessible via the serial port. The registers are used to read motion data and status as well as to set the device configuration.

Address	Register	Read/Write	Default Value
0x00	Product_ID	R	0x0D
0x01	Revision_ID	R	0x02
0x02	Motion	R/W	0x00
0x03	Delta_Y	R	Any
0x04	Delta_X	R	Any
0x05	SQUAL	R	Any
0x06	Shutter_Upper	R	Any
0x07	Shutter_Lower	R	Any
0x08	Maximum_Pixel	R	Any
0x09	Pixel_Sum	R	Any
0x0a	Minimum_Pixel	R	Any
0x0b	Pixel_Grab	R/W	Any
0x0c	CRC0	R	Any
0x0d	CRC1	R	Any
0x0e	CRC2	R	Any
0x0f	CRC3	R	Any
0x10	Self_Test	W	
0x11	Configuration_Bits	R/W	0x03
0x12-0x2d	Reserved		
0x2e	Observation	R/W	Any
0x2f-0x38	Reserved		
0x3a	POWER_UP_RESET	W	
0x3b-0x3d	Reserved		
0x3e	Inverse_Revision_ID	R	0xFD
0x3f	Inverse_Product_ID	R	0xF2
0x42	Motion_Burst	R	Any

**Product\_ID** Address: 0x00  
 Access: Read Reset Value: 0x0D

Bit	7	6	5	4	3	2	1	0
Field	PID <sub>7</sub>	PID <sub>6</sub>	PID <sub>5</sub>	PID <sub>4</sub>	PID <sub>3</sub>	PID <sub>2</sub>	PID <sub>1</sub>	PID <sub>0</sub>

Data Type: 8-bit unsigned integer

USAGE: This register contains a unique identification assigned to the ADNS-3530. The value in this register does not change; it can be used to verify that the serial communications link is functional.

**Revision\_ID** Address: 0x01  
 Access: Read Reset Value: 0x02

Bit	7	6	5	4	3	2	1	0
Field	RID <sub>7</sub>	RID <sub>6</sub>	RID <sub>5</sub>	RID <sub>4</sub>	RID <sub>3</sub>	RID <sub>2</sub>	RID <sub>1</sub>	RID <sub>0</sub>

Data Type: 8-bit unsigned integer

USAGE: This register contains the IC revision. It is subject to change when new IC versions are released.

**Motion** Address: 0x02  
 Access: Read/Write Reset Value: 0x00

Bit	7	6	5	4	3	2	1	0
Field	MOT	PIXRDY	PIXFIRST	OVF	Reserved	Reserved	Reserved	Reserved

Data Type: bit field

USAGE: Register 0x02 allows the user to determine if motion has occurred since the last time it was read. If the MOT bit is set, then the user should read registers 0x03 and 0x04 to get the accumulated motion. Read this register before reading the Delta\_Y and Delta\_X registers.

Writing anything to this register clears the MOT and OVF bits, Delta\_Y and Delta\_X registers. The written data byte is not saved.

Internal buffers can accumulate more than eight bits of motion for X or Y. If either one of the internal buffers overflows, then absolute path data is lost and the OVF bit is set. This bit is cleared once some motion has been read from the Delta\_X and Delta\_Y registers, and if the

buffers are not at full scale. Since more data is present in the buffers, the cycle of reading the Motion, Delta\_X and Delta\_Y registers should be repeated until the motion bit (MOT) is cleared. Until MOT is cleared, either the Delta\_X or Delta\_Y registers will read either positive or negative full scale. If the motion register has not been read for long time, at 500 cpi it may take up to 16 read cycles to clear the buffers, at 1000 cpi, up to 32 cycles. To clear an overflow, write anything to this register.

The PIXRDY bit will be set whenever a valid pixel data byte is available in the Pixel\_Dump register. Check that this bit is set before reading from Pixel\_Dump. To ensure that the Pixel\_Grab pointer has been reset to pixel 0,0 on the initial write to Pixel\_Grab, check to see if PIXFIRST is set to high.



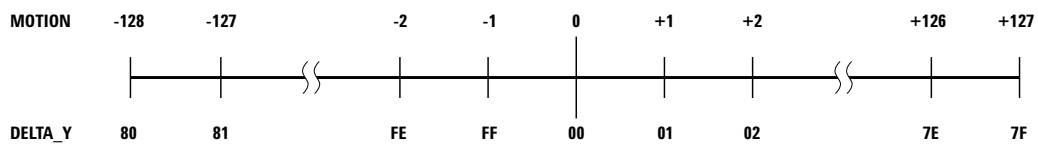
Field Name	Description
MOT	Motion since last report <b>0 = No motion</b> 1 = Motion occurred, data ready for reading in Delta_X and Delta_Y registers
PIXRDY	Pixel Dump data byte is available in Pixel_Dump register <b>0 = data not available</b> 1 = data available
PIXFIRST	This bit is set when the Pixel_Grab register is written to or when the complete pixel array has been read, initiating an increment to pixel 0,0. <b>0 = Pixel_Grab data not from pixel 0,0</b> 1 = Pixel_Grab data is from pixel 0,0
OVF	Motion overflow, _Y and/or _X buffer has overflowed since last report <b>0 = no overflow</b> 1 = Overflow has occurred

**Delta\_Y** Address: 0x03  
Access: Read Reset Value: Undefined

Bit	7	6	5	4	3	2	1	0
Field	X7	X6	X5	X4	X3	X2	X1	X0

Data Type: Eight bit 2's complement number

USAGE: Y movement is counts since last report. Absolute value is determined by resolution. Reading clears the register.



NOTE: Avago Technologies RECOMMENDS that registers 0x03 and 0x04 be read sequentially.

**Delta\_X**      Address: 0x04  
 Access: Read    Reset Value: Undefined

Bit	7	6	5	4	3	2	1	0
Field	Y <sub>7</sub>	Y <sub>6</sub>	Y <sub>5</sub>	Y <sub>4</sub>	Y <sub>3</sub>	Y <sub>2</sub>	Y <sub>1</sub>	Y <sub>0</sub>

Data Type: Eight bit 2's complement number

USAGE: X movement is counts since last report. Absolute value is determined by resolution. Reading clears the register.



NOTE: Avago Technologies RECOMMENDS that registers 0x03 and 0x04 be read sequentially.

**SQUAL**      Address: 0x05  
 Access: Read    Reset Value: Undefined

Bit	7	6	5	4	3	2	1	0
Field	SQ <sub>7</sub>	SQ <sub>6</sub>	SQ <sub>5</sub>	SQ <sub>4</sub>	SQ <sub>3</sub>	SQ <sub>2</sub>	SQ <sub>1</sub>	SQ <sub>0</sub>

Data Type: Upper 8 bits of a 9-bit unsigned integer

USAGE: SQUAL (Surface Quality) is a measure of the number of valid features visible by the sensor in the current frame. The maximum SQUAL register value is 167. Since small changes in the current frame can result in changes in SQUAL, variations in SQUAL when looking at a surface are expected.

**Shutter\_Upper**

Access: Read

Address: 0x06

Reset Value: Undefined

Bit	7	6	5	4	3	2	1	0
Field	S <sub>15</sub>	S <sub>14</sub>	S <sub>13</sub>	S <sub>12</sub>	S <sub>11</sub>	S <sub>10</sub>	S <sub>9</sub>	S <sub>8</sub>

**Shutter\_Lower**

Access: Read

Address: 0x07

Reset Value: Undefined

Bit	7	6	5	4	3	2	1	0
Field	S <sub>7</sub>	S <sub>6</sub>	S <sub>5</sub>	S <sub>4</sub>	S <sub>3</sub>	S <sub>2</sub>	S <sub>1</sub>	S <sub>0</sub>

Data Type: Sixteen bit unsigned integer

USAGE: Units are clock cycles. Read Shutter\_Upper first, then Shutter\_Lower. They should be read consecutively. The shutter is adjusted to keep the average and maximum pixel values within normal operating ranges. The shutter value is automatically adjusted.

**Maximum\_Pixel**

Access: Read

Address: 0x08

Reset Value: Undefined

Bit	7	6	5	4	3	2	1	0
Field	MP <sub>7</sub>	MP <sub>6</sub>	MP <sub>5</sub>	MP <sub>4</sub>	MP <sub>3</sub>	MP <sub>2</sub>	MP <sub>1</sub>	MP <sub>0</sub>

Data Type: Eight-bit number

USAGE: Maximum Pixel value in current frame. Minimum value = 0, maximum value = 254. The maximum pixel value can vary with every frame.

**Pixel\_Sum** Address: 0x09  
 Access: Read Reset Value: Undefined

Bit	7	6	5	4	3	2	1	0
Field	AP <sub>7</sub>	AP <sub>6</sub>	AP <sub>5</sub>	AP <sub>4</sub>	AP <sub>3</sub>	AP <sub>2</sub>	AP <sub>1</sub>	AP <sub>0</sub>

Data Type: High 8 bits of an unsigned 17-bit integer

USAGE: This register is used to find the average pixel value. It reports the seven bits of a 16-bit counter, which sums all pixels in the current frame. It may be described as the full sum divided by 512. To find the average pixel value, use the following formula:

$$\text{Average Pixel} = \text{Register Value} * 128/121 = \text{Register Value} * 1.06$$

The maximum register value is 240. The minimum is 0. The pixel sum value can change on every frame.

---

**Minimum\_Pixel** Address: 0x0a  
 Access: Read Reset Value: Undefined

Bit	7	6	5	4	3	2	1	0
Field	MP <sub>7</sub>	MP <sub>6</sub>	MP <sub>5</sub>	MP <sub>4</sub>	MP <sub>3</sub>	MP <sub>2</sub>	MP <sub>1</sub>	MP <sub>0</sub>

Data Type: Eight-bit number

USAGE: Minimum Pixel value in current frame. Minimum value = 0, maximum value = 254. The minimum pixel value can vary with every frame.

---

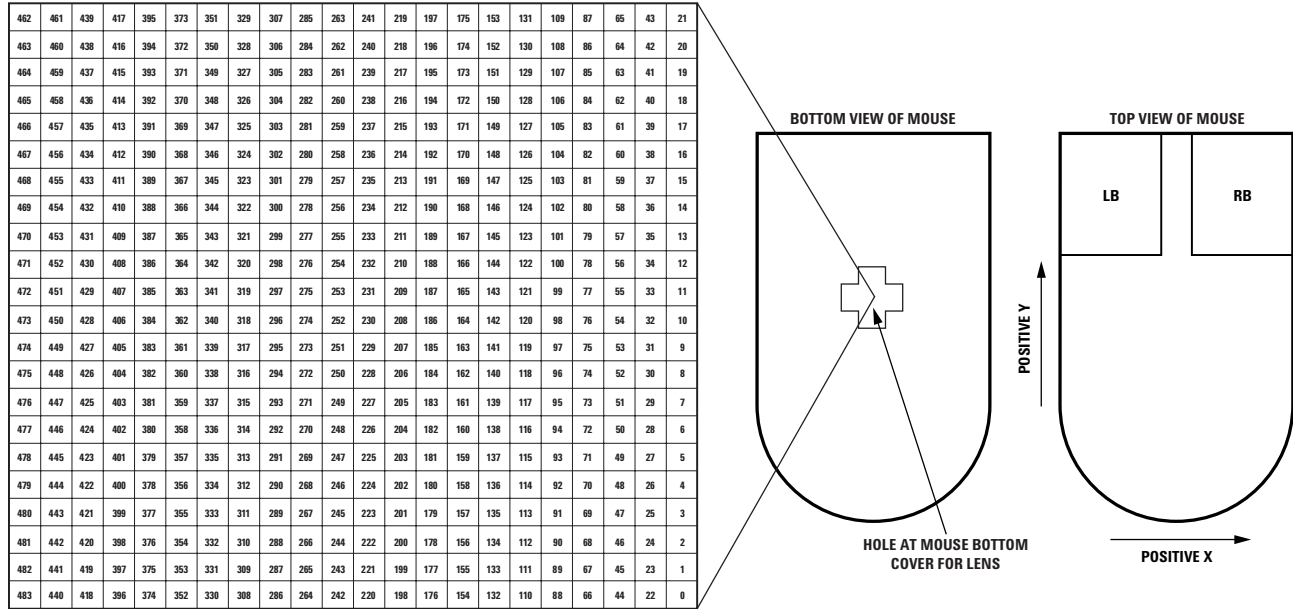
**Pixel\_Grab** Address: 0x0b  
 Access: Read/Write Reset Value: Undefined

Bit	7	6	5	4	3	2	1	0
Field	PD <sub>7</sub>	PD <sub>6</sub>	PD <sub>5</sub>	PD <sub>4</sub>	PD <sub>3</sub>	PD <sub>2</sub>	PD <sub>1</sub>	PD <sub>0</sub>

Data Type: Eight-bit word

USAGE: For test purposes, the sensor will read out the contents of the pixel array, one pixel per frame. To start a pixel grab, write anything to this register to reset the pointer to pixel 0,0. Then read the PIXRDY bit in the Motion register. When the PIXRDY bit is set, there is valid data in this register to read out. After the data in this register is read, the pointer will automatically increment to the next pixel. Reading may continue indefinitely; once a complete frame's worth of pixels has been read, PIXFIRST will be set to high to indicate the start of the first pixel and the address pointer will start at the beginning location again.

**(Pixel Array Map Looking Through the ADNS-3150-001 Lens)**



**Figure 19. Surface image pixel address map**

**CRC0** Address: 0x0c  
Access: Read Reset Value: Undefined

Bit	7	6	5	4	3	2	1	0
Field	CRC0 <sub>7</sub>	CRC0 <sub>6</sub>	CRC0 <sub>5</sub>	CRC0 <sub>4</sub>	CRC0 <sub>3</sub>	CRC0 <sub>2</sub>	CRC0 <sub>1</sub>	CRC0 <sub>0</sub>

Data Type: Eight-bit number

USAGE: Register 0x0c reports the first byte of the system self test results. Value = 0xAF. See Self Test register 0x10.

**CRC1** Address: 0x0d  
Access: Read Reset Value: Undefined

Bit	7	6	5	4	3	2	1	0
Field	CRC1 <sub>7</sub>	CRC1 <sub>6</sub>	CRC1 <sub>5</sub>	CRC1 <sub>4</sub>	CRC1 <sub>3</sub>	CRC1 <sub>2</sub>	CRC1 <sub>1</sub>	CRC1 <sub>0</sub>

Data Type: Eight bit number

USAGE: Register 0x0d reports the second byte of the system self test results. Value = 0x4E. See Self Test register 0x10.

**CRC2** Address: 0x0e  
Access: Read Reset Value: Undefined

Bit	7	6	5	4	3	2	1	0
Field	CRC2 <sub>7</sub>	CRC2 <sub>6</sub>	CRC2 <sub>5</sub>	CRC2 <sub>4</sub>	CRC2 <sub>3</sub>	CRC2 <sub>2</sub>	CRC2 <sub>1</sub>	CRC2 <sub>0</sub>

Data Type: Eight-bit number

USAGE: Register 0x0e reports the third byte of the system self test results. Value = 0x31. See Self Test register 0x10.

---

**CRC3** Address: 0x0f  
Access: Read Reset Value: Undefined

Bit	7	6	5	4	3	2	1	0
Field	CRC3 <sub>7</sub>	CRC3 <sub>6</sub>	CRC3 <sub>5</sub>	CRC3 <sub>4</sub>	CRC3 <sub>3</sub>	CRC3 <sub>2</sub>	CRC3 <sub>1</sub>	CRC3 <sub>0</sub>

Data Type: Eight-bit number

USAGE: Register 0x0f reports the fourth byte of the system self test results. Value = 0x22. See Self Test register 0x10.

---

**Self\_Test** Address: 0x10  
Access: Write Reset Value: NA

Bit	7	6	5	4	3	2	1	0
Field	Reserved	Reserved	Reserved	Reserved	Reserved	Reserved	Reserved	TESTEN

Data Type: Bit field

USAGE: Set the TESTEN bit in register 0x10 to start the system self-test. The test takes 250 ms. During this time, do not write or read through the SPI port. Results are available in the CRC0-3 registers. After self-test, reset the chip to start normal operation.

---

Field Name	Description
TESTEN	Enable System Self Test <b>0 = Disabled</b> 1 = Enable

---

**Configuration\_bits**

Access: Read/Write

Address: 0x11

Reset Value: 0x03

Bit	7	6	5	4	3	2	1	0
Field	RES	Reserved	RESTEN 1	RESTEN 0	Reserved	Reserved	Reserved	Reserved

Data Type: Bit field

USAGE: Register 0x11 allows the user to change the configuration of the sensor. Setting the RESTEN bit forces the sensor into Rest mode, as described in the power modes section above. The RES bit allows selection between 500 and 1000 cpi resolution.

*Note: Forced Rest has a long wakeup time and should not be used for power management during normal mouse motion.*

---

Field Name	Description
RESTEN <sub>1-0</sub>	Puts chip into Rest mode <b>00 = normal operation</b> 01 = force Rest1 10 = force Rest2 11 = force Rest3
RES	Sets resolution <b>0 = 500</b> 1 = 1000

---

**Reserved**

Address: 0x12-0x2d

**Observation** Address: 0x2e  
 Access: Read/Write Reset Value: Undefined

Bit	7	6	5	4	3	2	1	0
Field	MODE <sub>1</sub>	MODE <sub>0</sub>	Reserved	Reserved	OBS <sub>3</sub>	OBS <sub>2</sub>	OBS <sub>1</sub>	OBS <sub>0</sub>

Data Type: Bit field

USAGE: Register 0x2e provides bits that are set every frame. It can be used during EFTB testing to check that the chip is running correctly. Writing anything to this register will clear the bits.

Field Name	Description
MODE <sub>1-0</sub>	Mode Status: Reports which mode the sensor is in. 00 = Run 01 = Rest1 10 = Rest2 11 = Rest3
OBS <sub>3-0</sub>	Set every frame

**Reserved** Address: 0x2f-0x39

**POWER\_UP\_RESET** Address: 0x3a  
 Access: Write Reset Value: Undefined

Bit	7	6	5	4	3	2	1	0
Field	RST <sub>7</sub>	RST <sub>6</sub>	RST <sub>5</sub>	RST <sub>4</sub>	RST <sub>3</sub>	RST <sub>2</sub>	RST <sub>1</sub>	RST <sub>0</sub>

Data Type: 8-bit integer

USAGE: Write 0x5A to this register to reset the chip. All settings will revert to default values.



**Inverse\_Revision\_ID** Address: 0x3e  
Access: Read Reset Value: 0xFD

Bit	7	6	5	4	3	2	1	0
Field	NRID <sub>7</sub>	NRID <sub>6</sub>	NRID <sub>5</sub>	NRID <sub>4</sub>	NRID <sub>3</sub>	NRID <sub>2</sub>	NRID <sub>1</sub>	NRID <sub>0</sub>

Data Type: Inverse 8-bit unsigned integer

USAGE: This value is the inverse of the Revision\_ID. It can be used to test the SPI port.

---

**Inverse\_Revision\_ID** Address: 0x3f  
Access: Read Reset Value: 0xF2

Bit	7	6	5	4	3	2	1	0
Field	NPID <sub>7</sub>	NPID <sub>6</sub>	NPID <sub>5</sub>	NPID <sub>4</sub>	NPID <sub>3</sub>	NPID <sub>2</sub>	NPID <sub>1</sub>	NPID <sub>0</sub>

Data Type: Inverse 8-bit unsigned integer

USAGE: This value is the inverse of the Product\_ID. It can be used to test the SPI port.

---

**Motion\_Burst** Address: 0x42  
Access: Read Reset Value: Any

Bit	7	6	5	4	3	2	1	0
Field	MB <sub>7</sub>	MB <sub>6</sub>	MB <sub>5</sub>	MB <sub>4</sub>	MB <sub>3</sub>	MB <sub>2</sub>	MB <sub>1</sub>	MB <sub>0</sub>

Data Type: Various

USAGE: Read from this register to activate burst mode. The sensor will return the data in the Motion register, Delta\_Y, Delta\_X, Squal, Shutter\_Upper, Shutter\_Lower, and Maximum\_Pixel. A minimum of 3 bytes should be read during a burst read. Reading the first 3 bytes clears the motion data.

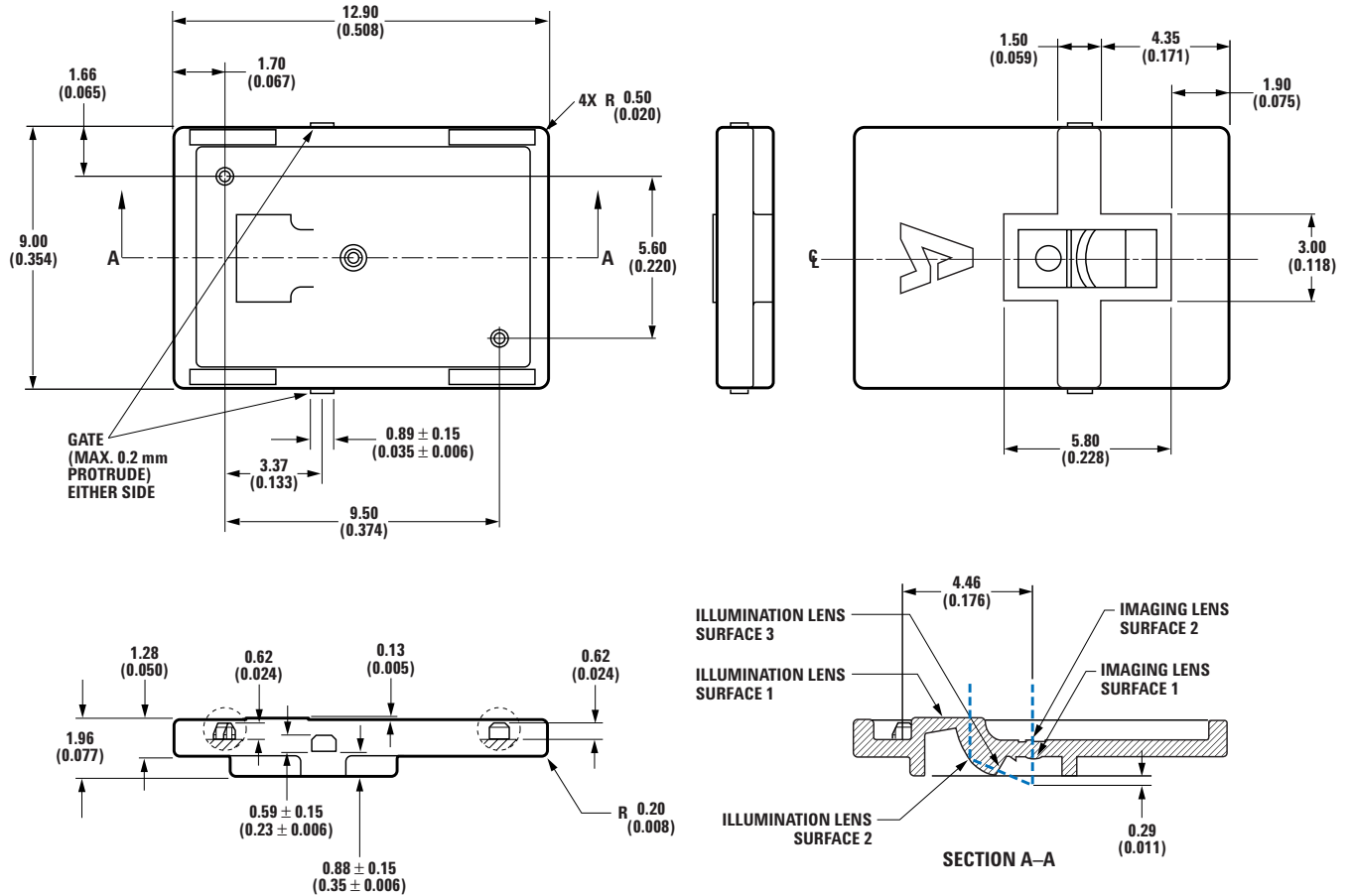
# ADNS-3150-001

## Small Form Factor Lens



### Description

The ADNS-3150-001 small form factor (SFF) lens is designed for use with Avago Technologies ADNS-3530 integrated COB sensor. Together with the LED, the ADNS-3150-001 SFF lens provide the direct illumination and optical imaging necessary for proper operation of the sensor. ADNS-3150-001 SFF lens is a precision molded optical component and should be handled with care to avoid scratching of the optical surfaces.



- NOTES:**
1. DIMENSIONS IN MILLIMETERS (INCHES).
  2. DIMENSIONAL TOLERANCE: ±0.1 mm UNLESS OTHERWISE SPECIFIED.
  3. ANGULAR TOLERANCE: ±3°.
  4. MAXIMUM FLASH: +0.2 mm.

Figure 20. ADNS-3150-001 SFF lens outline drawings and details

## Lens Design Optical Performance Specifications

All specifications are based on the Mechanical Assembly Requirements.

	Symbol	Min.	Typical	Max.	Units	Conditions
Numerical Aperture	NA		0.1642			
Magnification			-1			Image at nominal location
Design Wavelength	$\lambda$		639		nm	
Depth of Field	DOF		$\pm 0.1$		mm	
Die Coverage Radius			0.85		mm	Image circle radius

*\*Lens material is polycarbonate. Cyanoacrylate based adhesives should not be used as they will cause lens material deformation.*

## Mounting Instructions for the ADNS-3150-001 Lens to the Base Plate

An IGES format drawing file with design specifications for mouse base plate features is available.

These features are useful in maintaining proper positioning and alignment of the ADNS-3150-001 when used with the Avago Technologies Optical Sensor. This file can be obtained by contacting your local Avago Technologies sales representative.

For product information and a complete list of distributors, please go to our website: [www.avagotech.com](http://www.avagotech.com)