



14-Channel Clock Generator with Integrated 2.8 GHz VCO

Preliminary Technical Data

AD9516-0

FEATURES

- Low Broadband Jitter, < 500 Femtoseconds RMS**
- On-Chip 2.60 GHz – 2.95 GHz VCO**
- Low Phase Noise, Integer-N Frequency Synthesizer**
 - Digital or Analog PLL Lock Detect
 - Programmable Delays in R and N path
 - Supports Internal or External VCO
- Two Reference Clock Inputs, A and B**
 - Frequencies to 250 MHz
 - On-Chip Reference Clock Monitors
 - Auto and Manual Switchover, Holdover
- Up to 14 Low Jitter Clock Drivers**
 - Six LVPECL Outputs Operate to Max VCO Frequency
 - Four/Eight LVDS/CMOS outputs run 1 GHz/250 MHz
- Programmable Dividers with Phase Offset**
- Programmable Delay on Four Channels**
- Serial Control Port**
- 64-lead LFCSP package**

APPLICATIONS

- Low Jitter Clock Generation and Clock Distribution**
- Wired and Wireless Infrastructure**
- Base Stations, Optical Networks, Cable Head-Ends**
- Instrumentation and Imaging**
- Test Equipment, ATE**
- Clean Clocks for ADCs, DACs, DDSs, DDCs, DUCs, MxFEs**
- Clock Cleanup and Distribution for Line Cards**

GENERAL DESCRIPTION

The AD9516-0 generates up to fourteen output clocks from a single input reference frequency. Integrated on chip is a complete PLL with VCO, programmable dividers, adjustable delay blocks, and multiple output logic stages. Sub-picosecond jitter performance is maintained using on-chip 2.60 – 2.95 GHz VCO. The AD9516 also supports the use of an external VCO/VCXO/VCSO up to 2.4 GHz.

The AD9516-0 features six LVPECL outputs (grouped in three pairs), which operate up to the maximum frequency of on-chip VCO. The remaining outputs are user-programmed as either LVDS (four max) or CMOS (eight max). The programmable outputs operate to 1 GHz in LVDS mode and to 250MHz in CMOS mode.

On-chip dividers may be set to any integer value, 1-32. In addition, the LVDS/CMOS channels use cascaded dividers for a maximum divide ratio of 1024. Each LVDS/CMOS channel also offers an adjustable delay from 1.5 ns to 10 ns, programmed as 64 steps.

The AD9516-0 is available in a 64-lead LFCSP and may be operated from a single 3.3 V supply. If an external VCO is used, the VCP pin may be set to a max value of 5.5V. The power supply to the LVPECL outputs may be varied to support 2.5V or 3.3V LVPECL outputs. The AD9516-0 operates over the standard industrial range of -40°C to +85°C.

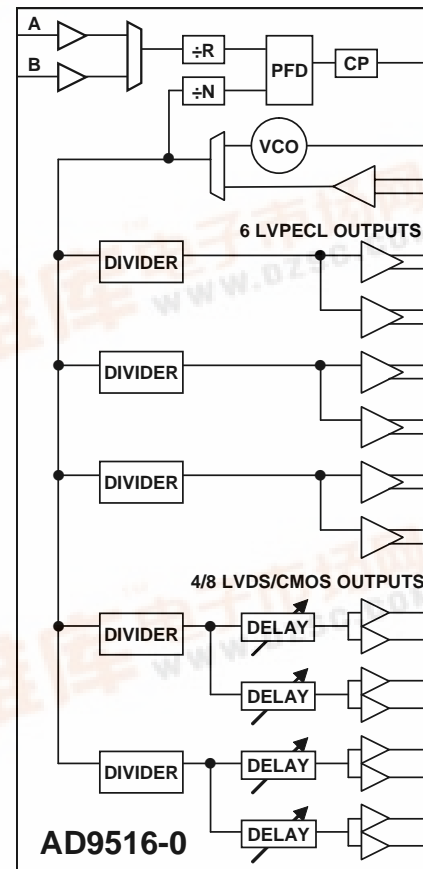


Figure 1. Basic Block Diagram



OUTLINE DIMENSIONS

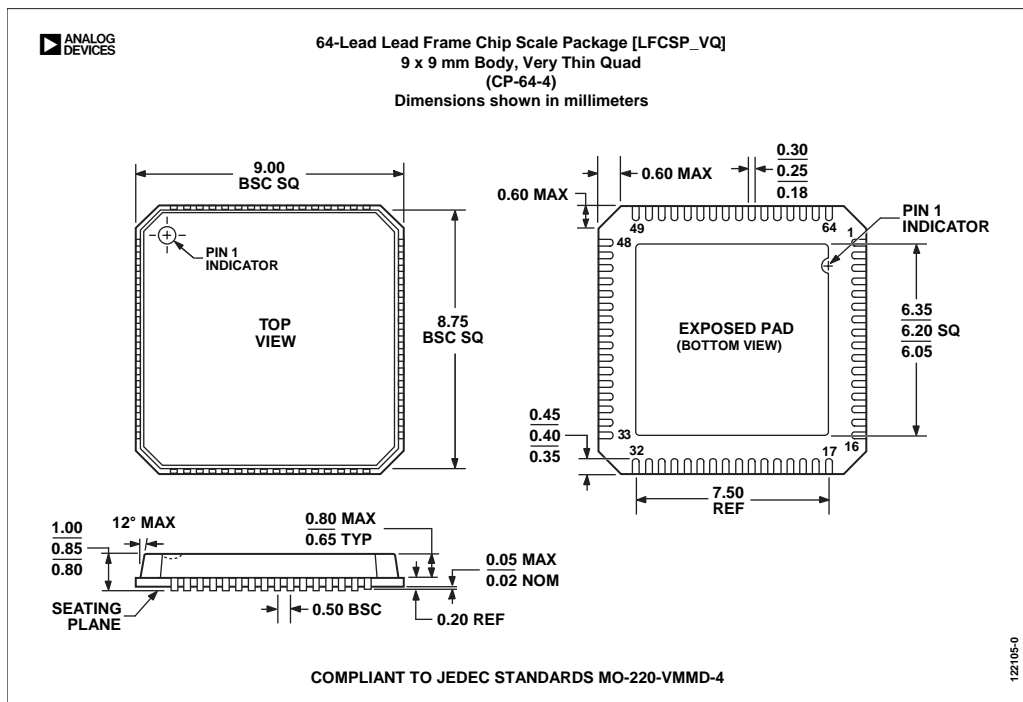


Figure 2. Outline Dimensions

©2005 Analog Devices, Inc. All rights reserved. Trademarks and registered trademarks are the property of their respective owners.
 PR06419-0-10/06(PrA)



www.analog.com