

# MULTILAYER CHIP BALUN

查询AMCB21供应商

捷多邦, 专业PCB打样工厂, 24小时加急出货



2.0 x 1.25 x 0.85mm

## AMCB21



### FEATURES:

- Phase difference of  $180 \pm 10$  degrees
- Amplitude difference of 0.5 dB max
- Can simplify the complex tuning and circuit design
- Low insertion loss and high attenuation
- Small size SMD chip design

### APPLICATIONS:

- WLAN, Bluetooth, GSM
- Wireless Communication

### STANDARD SPECIFICATIONS:

#### PARAMETERS

ABRACON P/N:	AMCB21
Operating temperature:	-25°C to + 85°C
Storage temperature:	-55°C to + 125°C

Part No.	AMCB21-2450-01
Unbalance Port Impedance	50Ω
Balance Port Impedance	100Ω (50Ω+50Ω)
Frequency Range	2400~2500MHz
Insertion Loss	≤1.2dB
Center Frequency	2450MHz
V.S.W.R at Unbalance Port (in BW)	≤2.0 (2400~2500 MHz)
Amplitude Difference	≤0.5dB
Phase difference	180±5 Deg.

### OPTIONS AND PART IDENTIFICATION:

(Left blank if standard)

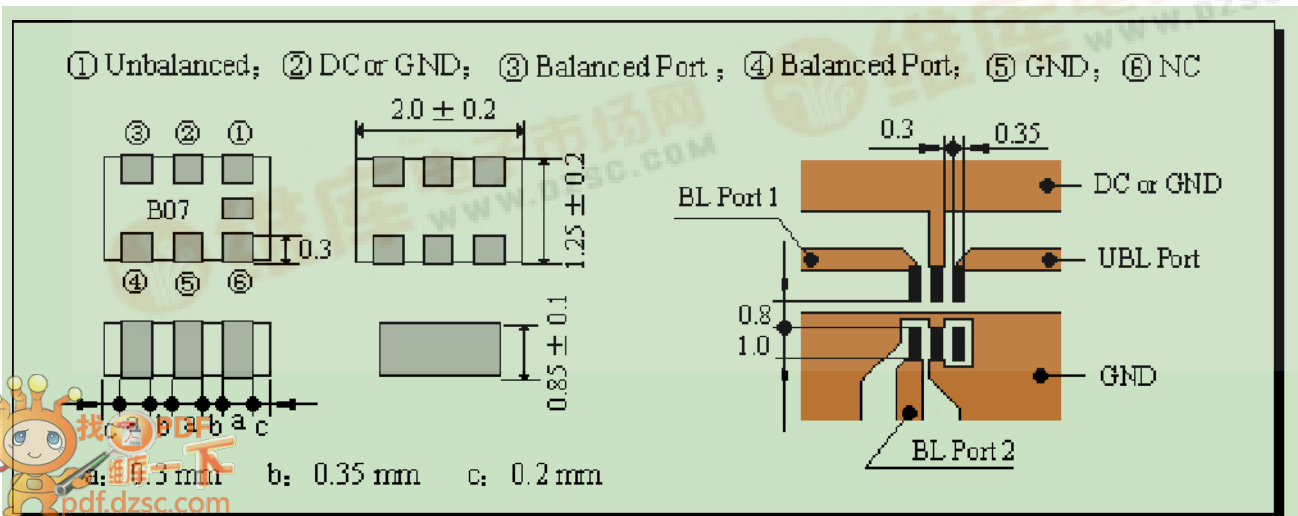
AMCB21 - □□□□ - □□ - □

Center Frequency
eg. 2450 MHz

Packaging	
T	Tape and Reel

Balun Type
Please refer to the tables above.

### OUTLINE DRAWING:



# MULTILAYER CHIP BALUN



2.0 x 1.25 x 0.85mm

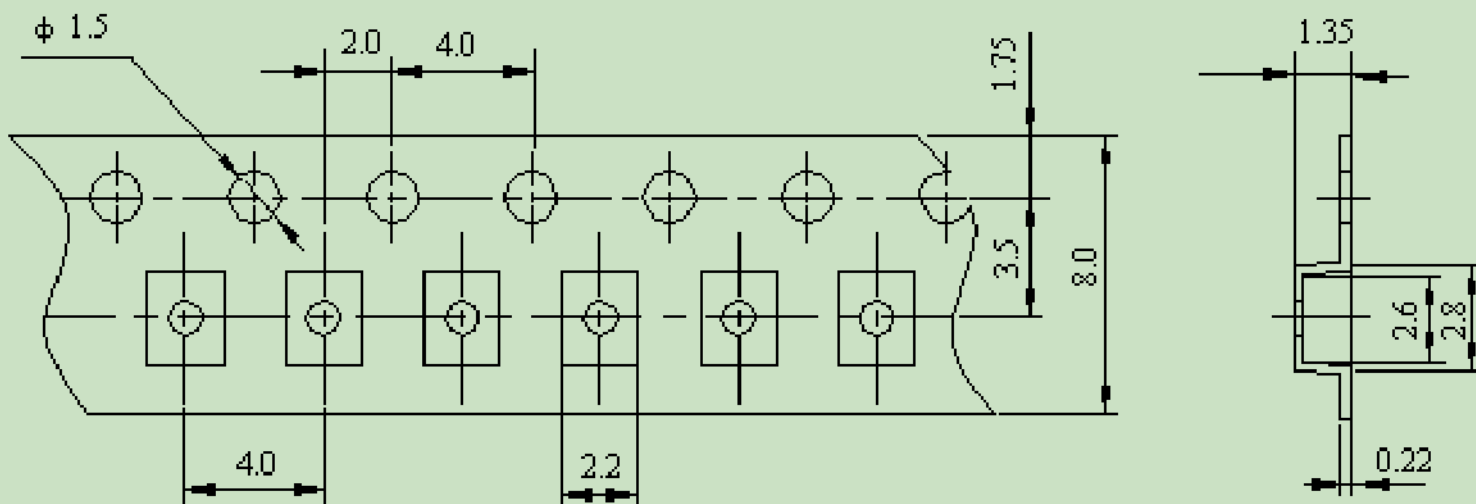
AMCB21



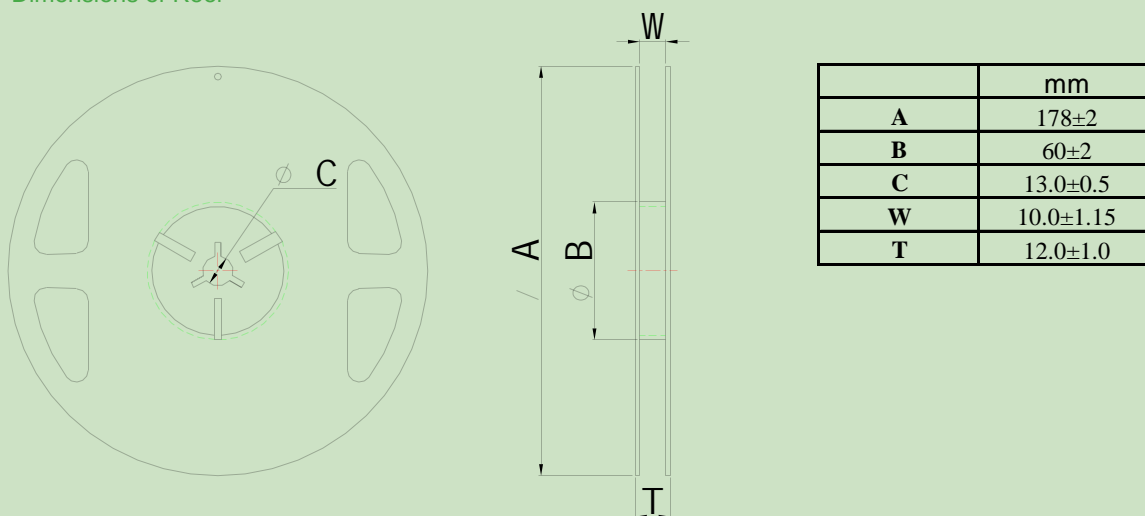
RoHS  
Compliant

TAPE & REEL: Tape and reel 2,500pcs/reel

## Dimensions of Tape



## Dimensions of Reel



Dimensions: mm